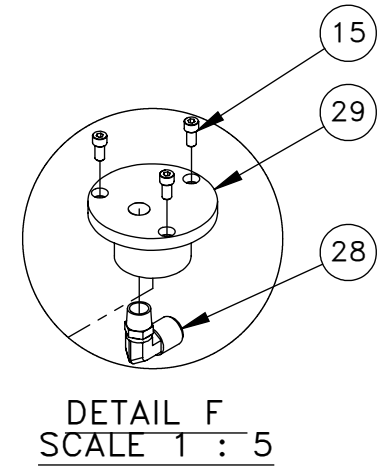
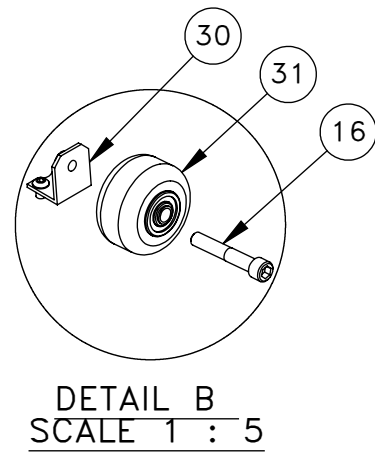
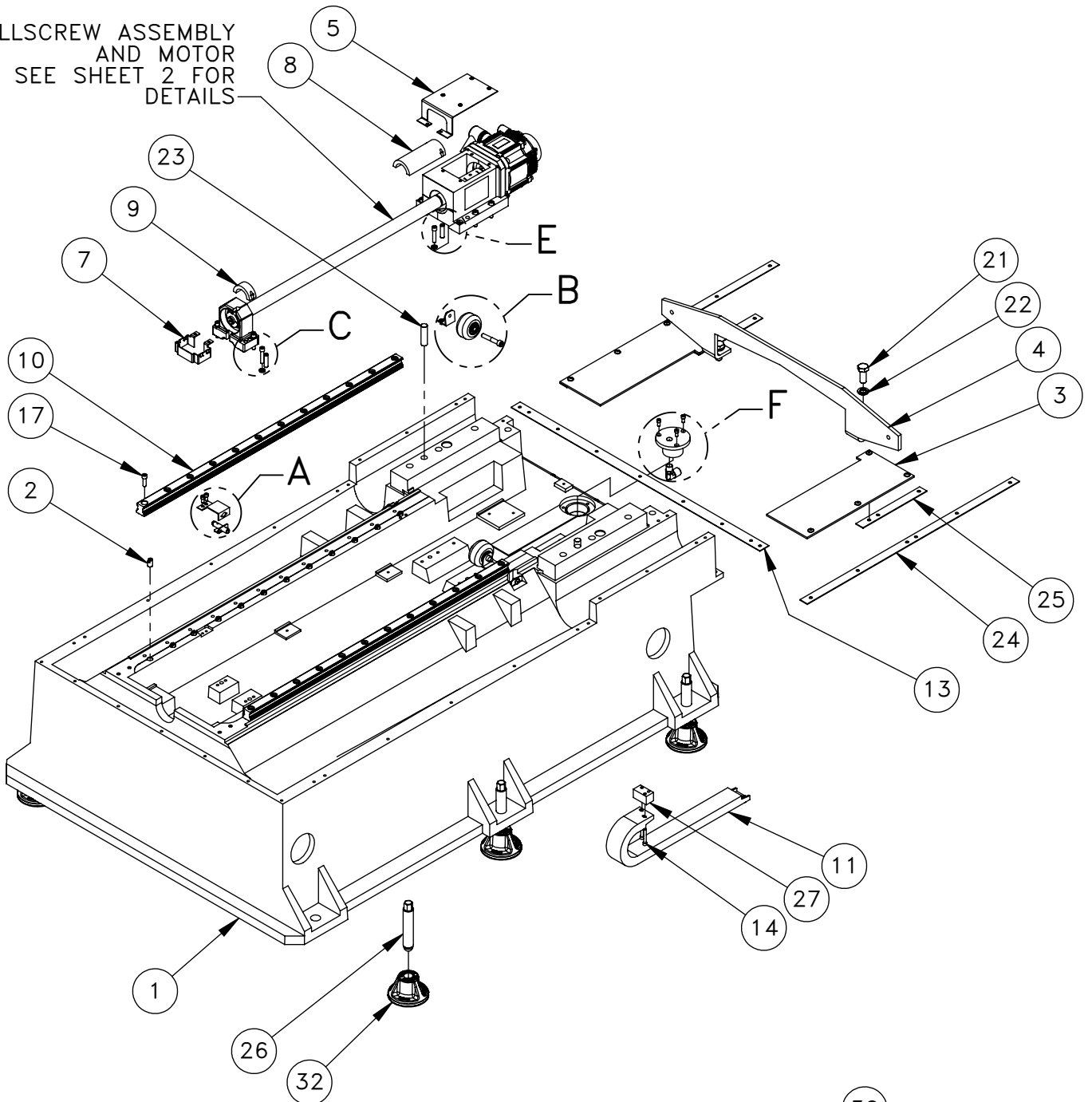


BALLSCREW ASSEMBLY
AND MOTOR
SEE SHEET 2 FOR
DETAILS



ITEM NO.	DESCRIPTION	QTY.
1	MACHINING BASE DT-1	1
2	CAM LINEAR GUIDE	24
3	COVER PLATE AUGER DT-1	2
4	SUPPORT LOWER CNTRL BOX DT-1	1
5	COVER PLATE MOTOR MOUNT	1
6	SENSOR MOUNT BRKT Y-AXIS MM/SMM/DT	1
7	BRACKET BUMPER	1
8	BUMPER BSCREW 5.00 EC-300B	1
9	BUMPER Z-AXIS MOTOR END SVC USE W/ 2X 4	1
10	LINEAR GUIDE 30 X 910 FLANGED BLOCK	2
11	CBL CARRIER IGUS 14-3-048 18 LINKS	1
12	PROX SW NC 3 WIRE 1.5' W/CONN	1
13	GASKET CHIP CHUTE BASE DT-1	1
14	SHCS, 1/4-20 X 1 3/4" LG	2
15	SHCS 1/4-20 X 1/2 ZINC PLATED	5
16	SHCS 3/8-16 X 2 1/4	2
17	SHCS 5/16-18 X 1	28
18	WASHER 5/16 SPLT LOCK PLT	14
19	SHCS 5/16-18 X 1 1/2" LG	10
20	DOWEL PIN 3/8 X 1 1/2PULL	4
21	HHB 5/8-11 X 1 1/2	2
22	WASHER 5/8 SPLT LOCK PLT MED	2
23	DOWEL PIN 5/8 X 2 1/4	2
24	GASKET MTR MNT AUGER DT-1	2
25	GASKET AUGER MTR MNT SHORT DT-1	2
26	SSS 1-14 X 5 ROUND PT	6
27	SPACER CABLE CARRIER	1
28	FITG LBO-1/2 X 3/8 NPT M90 DEGREE	1
29	DRAIN FITTING	1
30	WHEEL SUPT BRKT REAR Y-WAYCVR DT-1	2
31	GUIDE WHEEL Y-AXIS WAYCOVER	2
32	LEVEL PAD SURFACE LINER	1

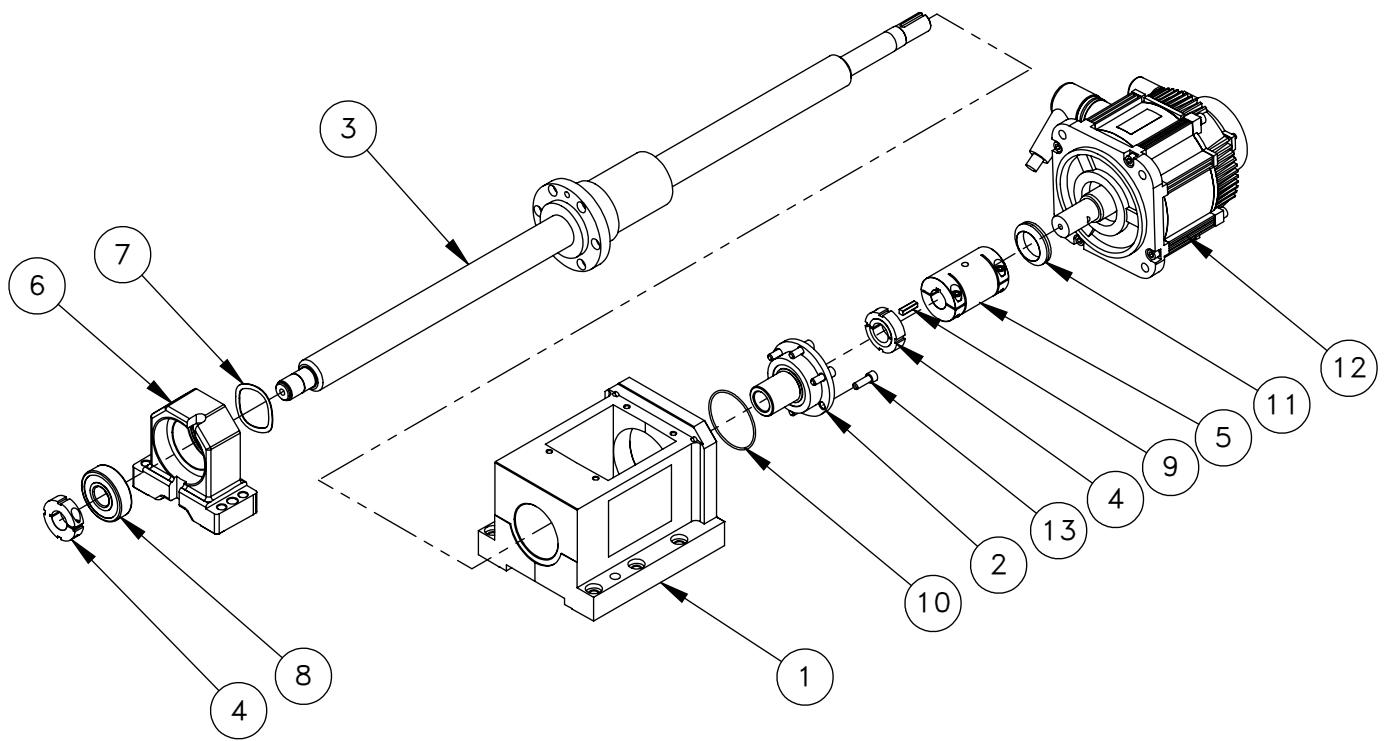
DESCRIPTION

DT-1 BASE ASSEMBLY

EFFECTIVE DATE

NOV-2014

SAP DOC NO./VER: 1000026357/01



ITEM NO.	DESCRIPTION	QTY.
1	MACHINING MOTOR MOUNT, 32 MM BALL SCREW	1
2	THRUST BEARING CARTRIDGE 32MM BSCREW	1
3	BALLSCREW 32-20-840 DT-1	1
4	BEARING LOCKNUT TCN-04-F RULAND MFG ONLY	2
5	SOLID COUPLING 22MM/19MM	1
6	IDLER BEARING HOUSING 32MM BSCREW	1
7	WAVE SPRING WASHER, 32MM BSCREW PRELOAD	1
8	BEARING DP GROOVE 6304 20ID X 52OD X 15	1
9	KEY STUB SHAFT/WORM SHAFTCHIP CONVEYOR/S	1
10	O-RING 2-035	1
11	SEAL 1.188 CR400301	1
12	SRVOMTR YASK SIGMA-5 13 W/O BRAKE	1
13	SHCS 1/4-20 X 3/4 W/PATCHZINC PLATED	6

SHEET 2 OF 2

DESCRIPTION

DT-1 BASE ASSEMBLY

EFFECTIVE DATE

NOV-2014

SAP DOC NO./VER: 1000026357/01