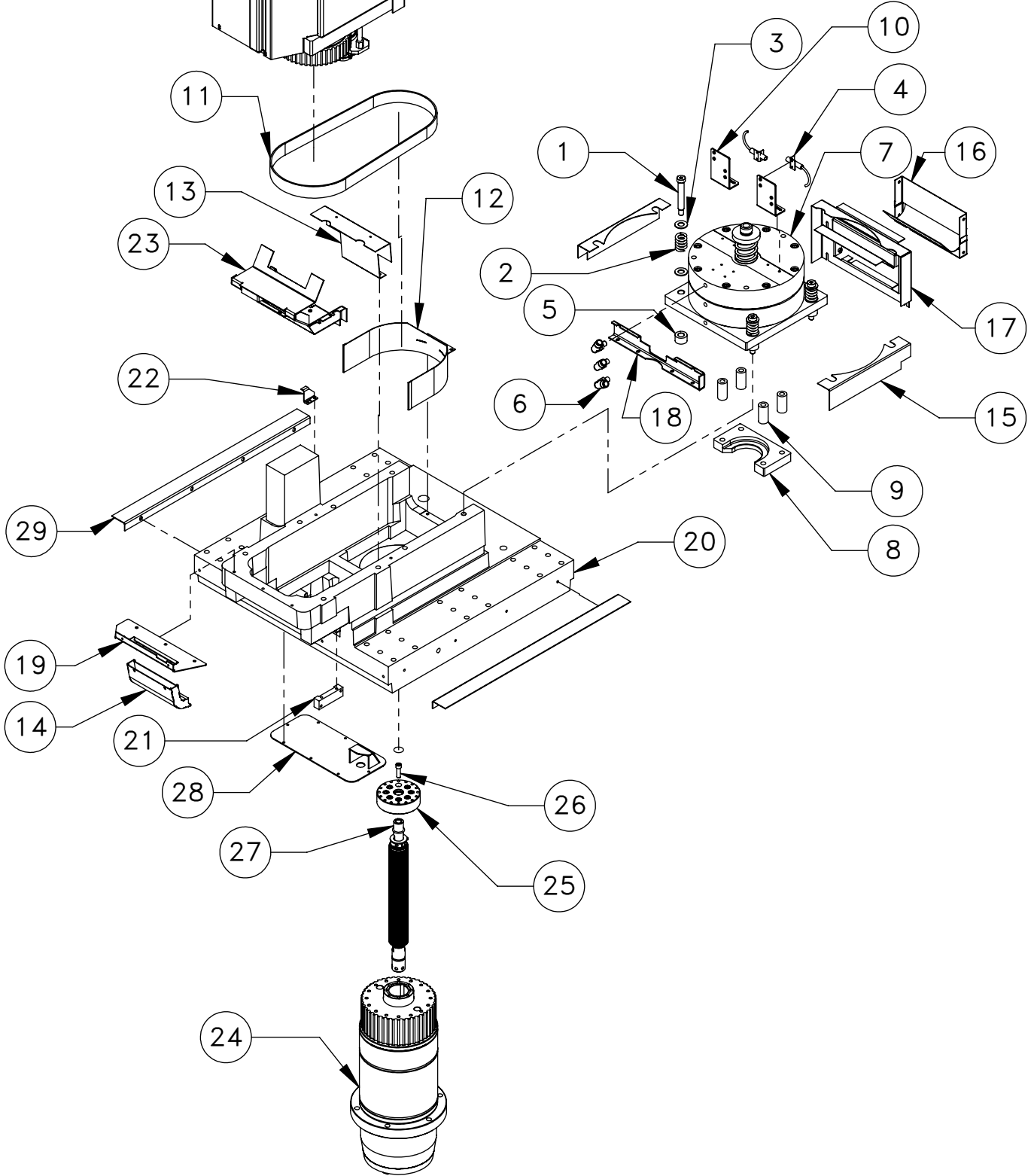


MOTOR GEARBOX ASSEMBLY
SHEET-2



ITEM NO.	DESCRIPTION	QTY.
1	SHLDR BOLT 5/8 X 3 1/2	4
2	SPRING COMPRESSION ASC SPRNG CV125	4
3	WASHER 5/8 FLAT SAE PLT	8
4	PROX SW, NC 2WR 1.0M W/BRKT	2
5	SPACER TRP 50T	4
6	FITG LBO-1/2 X NPT-1/4-M X 90	3
7	TRP ASSY 50T EC-1600	1
8	FORK LIFT SPINDLE	1
9	SPACER	4
10	SWITCH MOUNTING BRACKET 50/BOX	2
11	DRV BELT PCGT 14MGT-1260-37	1
12	UPPER AIR DEFLECTOR	1
13	MID AIR DEFLECTOR 5/12X12X12" BOX	1
14	TRANSFER DUCT SPINDLE EC-1600/YZT	1
15	TRP SIDE CAPS	2
16	AIR INTAKE CAP EC1600-YZT 50/PLT	1
17	AIR INTAKE BASE EC1600YZT	1
18	SHROUD MOUNTING BRKT 24/BOX	1
19	LOWER MOUNTING BRACKET EC-1600/YZT	1
20	MACHINING SPINDLE HEAD EC-1600YT	1
21	READ HEAD MOUNT Y-AXIS EC-1600	1
22	PRX SNSR TRIP FLAG VF Z-AXIS 250/BX	1
23	BELT ACCESS PANEL EC-1600/YZT	1
24	U/B SPINDLE ASSY 6K 50T HMC 3-BRG	1
25	CAP TOP SPINDLE	1
26	SHCS 3/8-16 X 1 1/4	8
27	DRAWBAR ASSY 10K 50T	1
28	ENCODER COVER	1
29	CHIP GUARD Y-AX L/R EC-1600	2

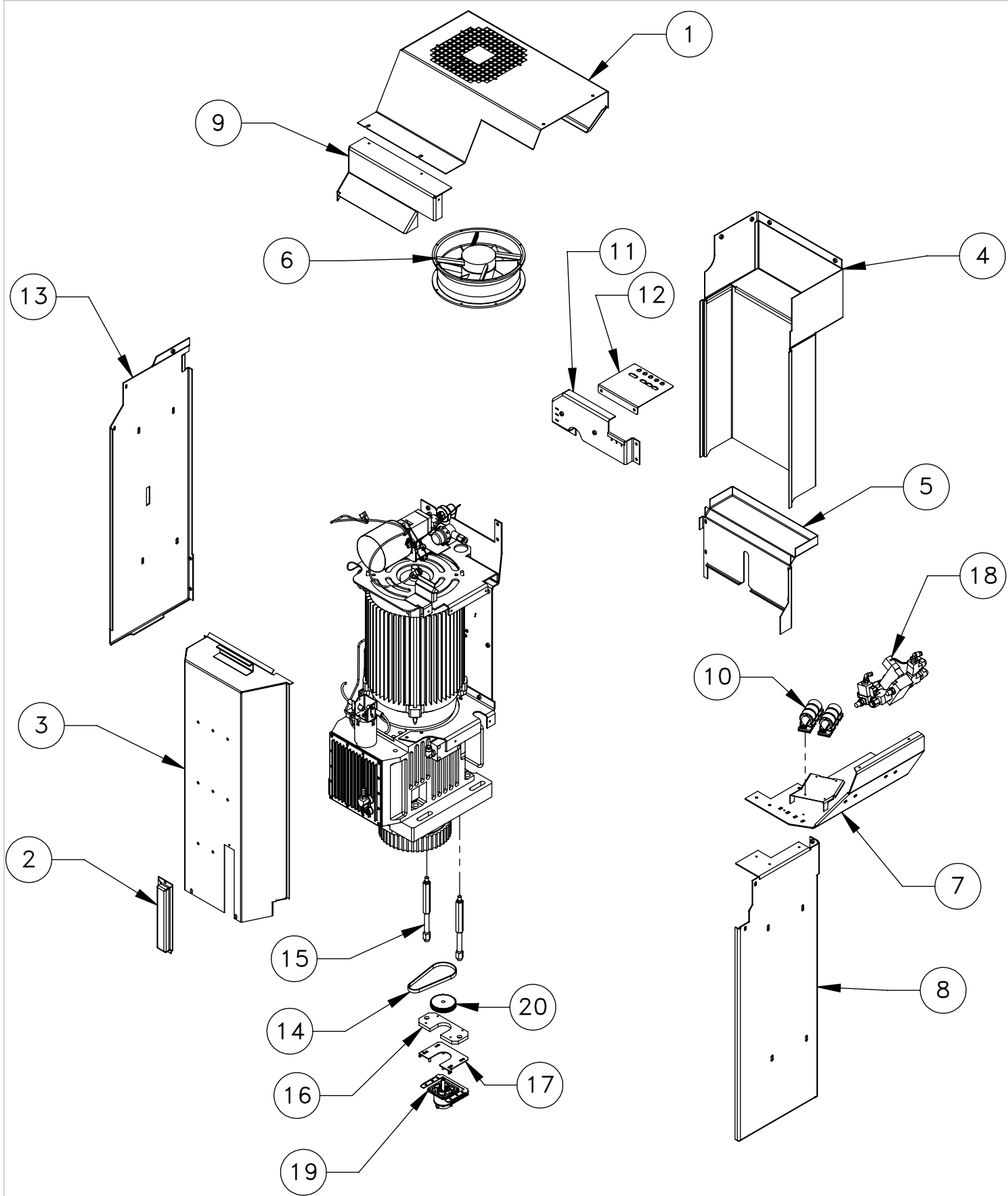
SHEET 1 OF 2

EFFECTIVE DATE

EC-1600 SPINDLE HEAD ASSEMBLY 6000 RPM

FEB-2009

SAP DOC NO./VER: 1000007614/01



**DETAIL VIEW
MOTOR GEARBOX ASSEMBLY**

ITEM NO.	DESCRIPTION	QTY.
1	FAN HOUSING	1
2	DRAIN ACCESS PANEL	1
3	LOWER GEARBOX/MOTOR COVER EC-1600/YZT	1
4	UPPER GEARBOX/MTR CVR EC-1600YZT 6/PLT	1
5	SHROUD CAP 5/18X18X12" BOX	1
6	FAN 10 600CFM	1
7	FAN HOUSING-SIDE	1
8	LEFT SIDE SHROUD SUPPORT	1
9	FAN HOUSING INTERM PNL EC1600-YZT	1
10	STRN RLF 22-27MM CBL GRIPKABELSCHLEPP #2	4
11	INTERNAL CABLE TRAY EC1600-YZT 10/BOX	1
12	CONNECTION PNL EC1600YZT 40/22X17X12" BX	1
13	RIGHT SHROUD SUPPORT	1
14	ME-ENCODER BELT	1
15	STANDOFF ENCODER SPRING PLATE50T	2
16	PLATE ENCODER SPRING MOUNTEC-1600 10K	1
17	ENCODER SPRING MOUNT 50T GEARBOX 50/BX	1
18	SOL VALVE ASSY TRP 50T	1
19	HAAS MAGNETIC ENCODER (SHAFTED)	1
20	TIMING PULLEY .375 BORE	1

SHEET 2 OF 2

DESCRIPTION

EFFECTIVE DATE

EC-1600 SPINDLE HEAD ASSEMBLY 6000 RPM

FEB-2009

SAP DOC NO./VER: 1000007614/01