



VMC - 50-Taper - Gearbox - 16DP-C - Oil Reservoir Refill Without 500-ml Fill Tank

Scan code to get the latest version of this document




Translation Available

VMC - 50-Taper - Gearbox - 16DP-C - Oil Reservoir Refill Without 500ml Fill Tank - Introduction

This procedure tells you how to add oil to the 16DP-C gearbox on a 50-Taper VMC without a 500ml fill tank.

Prerequisites

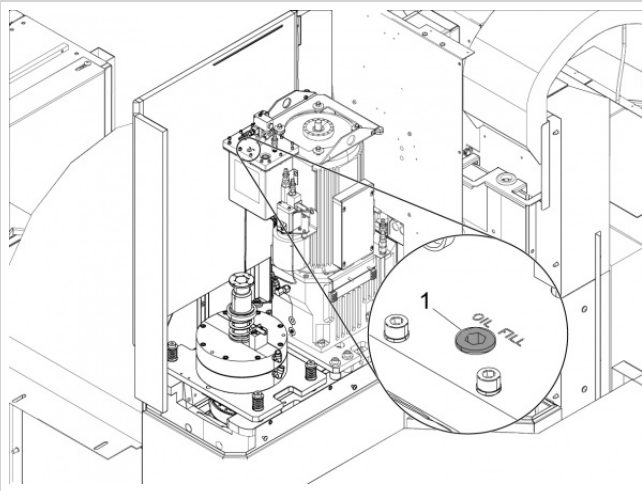
 **Note:** If the machine has a 500ml fill tank, do this procedure: [VMC - 50-Taper - Gearbox - 16DP-C - Oil Reservoir Refill - 500-ml Fill Tank](#).

Do this procedure when these alarms show:


Model	Software	Alarm
CALM	18.09A or higher	2011 SPINDLE GEARBOX OIL LEVEL IS LOW
		2012 INSUFFICIENT SPINDLE GEARBOX OIL FLOW

VMC - 50-Taper - Gearbox - 16DP-C - Oil Reservoir Refill - Without 500 ml Fill Tank

STEP 1



Remove the spindle head sheet metal to get access to the oil tank.
Remove the oil fill plug [1].

 **Note:** If the machine has a 500 ml fill tank, do this procedure: [VMC - 50-Taper - Gearbox - 16DP-C - Oil Reservoir Refill - 500-ml Fill Tank](#)

STEP 2

Operate this code in **MDI** mode. Do not install the oil fill plug.

%

S500 M03;

G04 P60.;

M05;

M30;

%

Fill the oil to the top of the fill plug. Use Mobil SHC 627 or equivalent. Install the oil fill plug.

Conclusion

Operate the spindle for 10 minutes. Look for leaks which could cause the oil level to become low. Install the covers for the spindle head.