



VMC - 40-Taper - Gearbox - Oil Reservoir - Maintenance

Scan code to get
the latest version
of this document

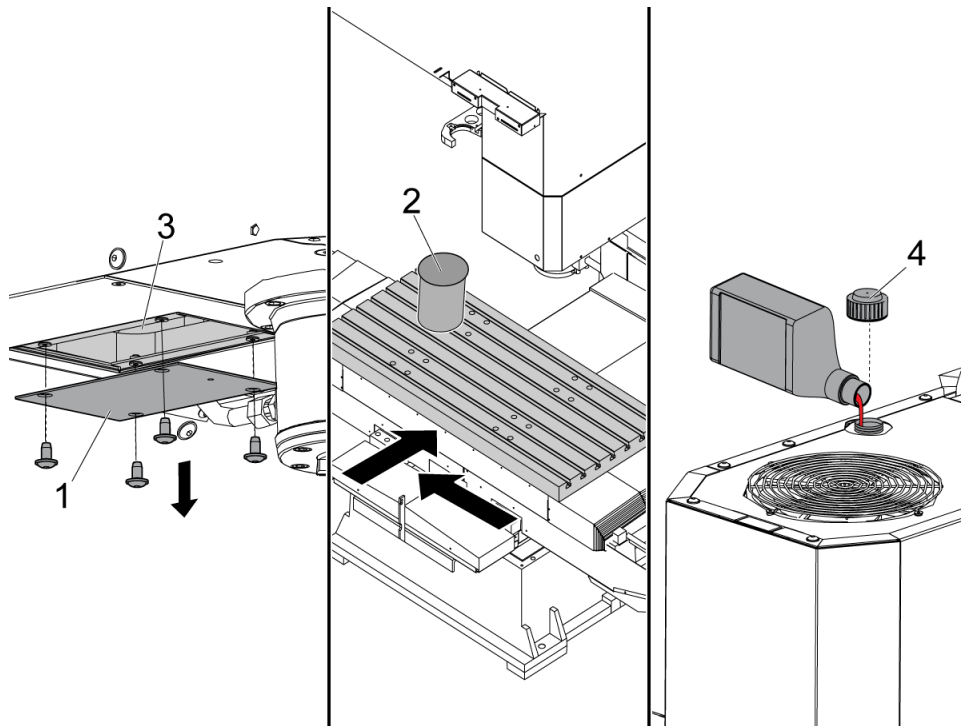


Translation
Available



VMC - 40-Taper - Gearbox - Oil Reservoir - Maintenance

Do this procedure when you get Alarm **179 LOW GEARBOX OIL PRESSURE** or when the warning message **GR LOW OIL** shows. This procedure tells you how to add oil to the gearbox oil reservoir.



Push **[EMERGENCY STOP]** when you do maintenance on the machine.

Remove the inspection-port cover [1] behind the spindle.

Put a container [2] on the table under the inspection port opening [3].

Remove the oil cap [4]. Add Mobil SHC 627 transmission oil in 4 oz increments until oil starts to come out of the reservoir tank into the bucket [2].

Tools Required



Mobil SHC - 627