



Umbrella - 20 Pocket Tool Changer - Mechanical Switches and Proximity Sensors - Maintenance

Scan code to get the latest version of this document

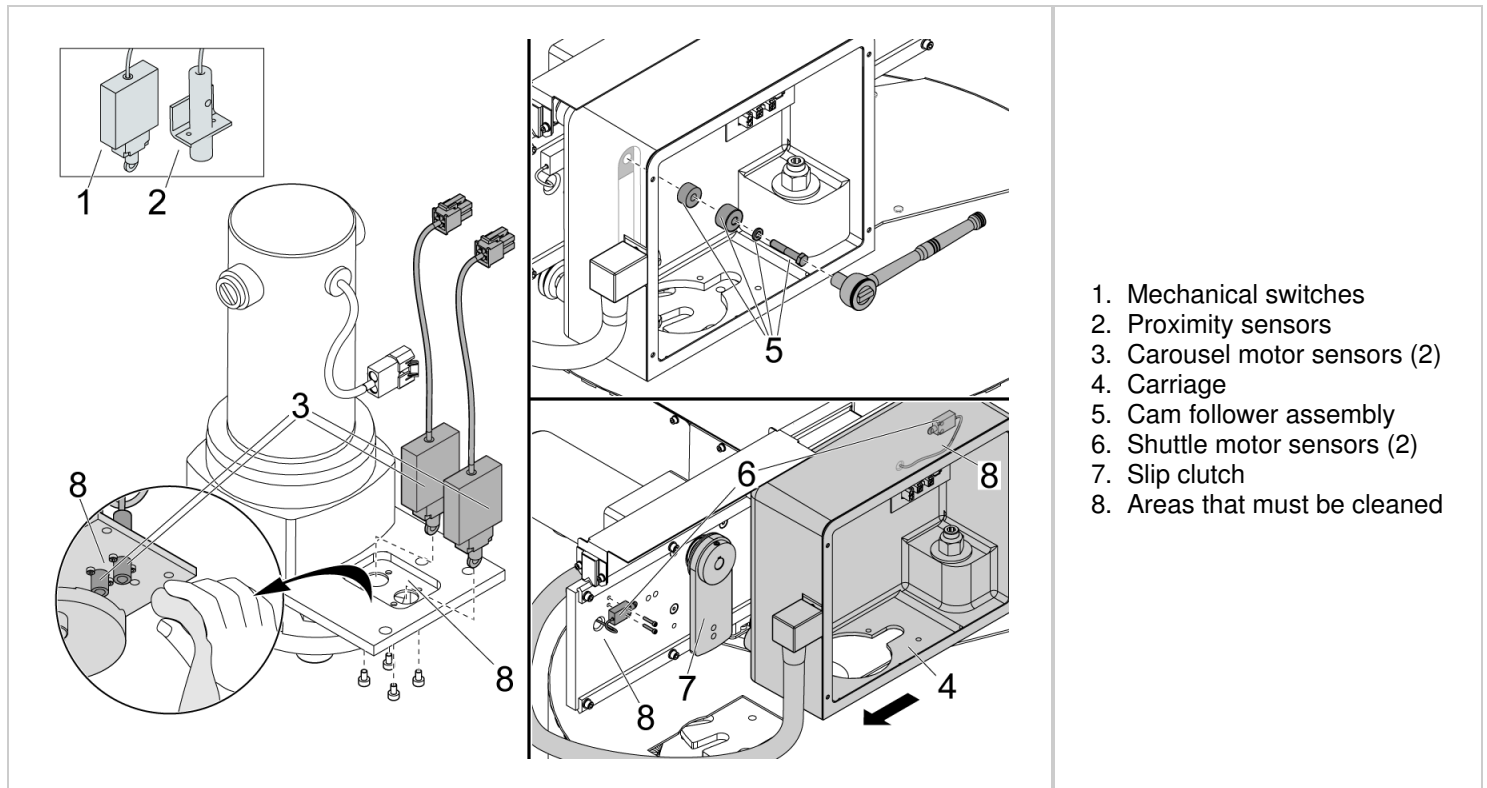


Translation Available



VMC - 20-Pocket - Umbrella Tool Changer - Mechanical Switches and Proximity Sensors - Maintenance

Pieces of material or other contamination can prevent the operation of mechanical switches or proximity sensors. This procedure tells you how to clean mechanical switches or proximity sensors for a 20-pocket umbrella tool-changer. The illustration shows mechanical switches and proximity sensors, but a machine has only one type.



1. Mechanical switches
2. Proximity sensors
3. Carousel motor sensors (2)
4. Carriage
5. Cam follower assembly
6. Shuttle motor sensors (2)
7. Slip clutch
8. Areas that must be cleaned



Push **[EMERGENCY STOP]** when you do maintenance on the machine.

Remove the mechanical switches or proximity sensors [3] from the motor plate. Remove all metal chips and debris from the mechanical switches or proximity sensors [3]. Clean the area [8] around the mechanical switches and proximity sensors [3] with a clean towel.

Disconnect the carriage from the slip clutch [7]: Remove the hardware [5] from the carriage [4]. Manually push the carriage to each side to access both the **IN** and **OUT** mechanical switches or proximity sensors [6]. Remove the mechanical switches or proximity sensors [6] and clean them.

Install the parts in the opposite order they were removed.