



Side Mount (SMTC) - EC-Series - Cambox - Maintenance

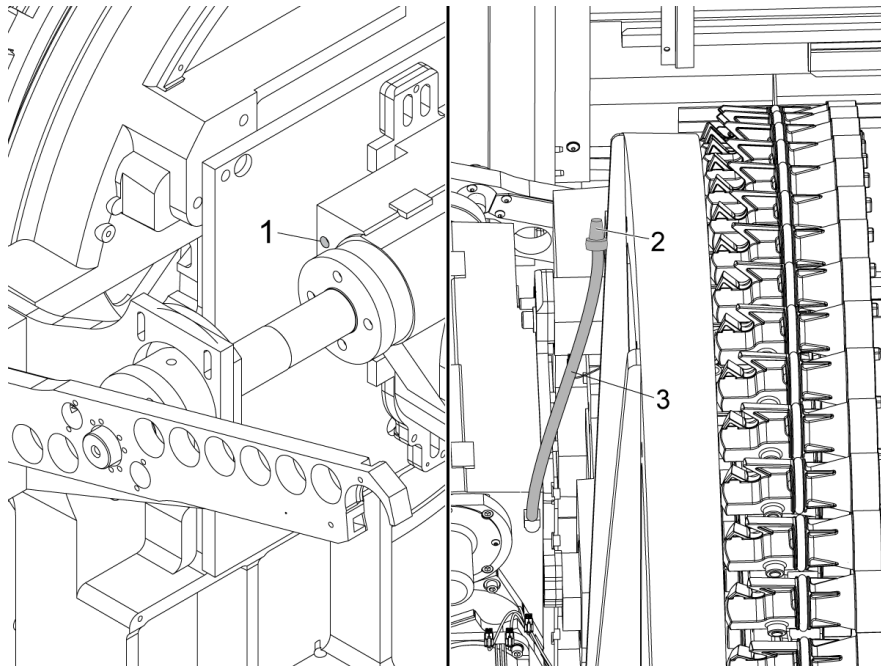
Scan code to get
the latest version
of this document



Translation
Available

EC Series - SMTC - Cambox - Maintenance

This procedure tells you how to make sure the cambox has the correct oil level.



Push **[POWER OFF]**. Set the main circuit breaker to the **OFF** position. Lock the main circuit breaker. Use an approved lock with an approved safety tag.

Remove the oil level plug [1]. If the oil level is correct, oil will come out of the oil level plug hole. If oil does not come out, leave the plug off.

Do these steps if the oil level is not correct:

Remove the breather [2] from the hose [3] (or fitting). Make sure that the hose has no low points and is not kinked.

Add Mobil 15w-50 through the hose [3] in small increments until oil comes out of the oil level plug [1] hole.

Install the oil level plug [1] and the breather [2].

Tools Required



Mobil 15w-50