



Keypad - Rubber -Type - Replacement

Scan code to get
the latest version
of this document

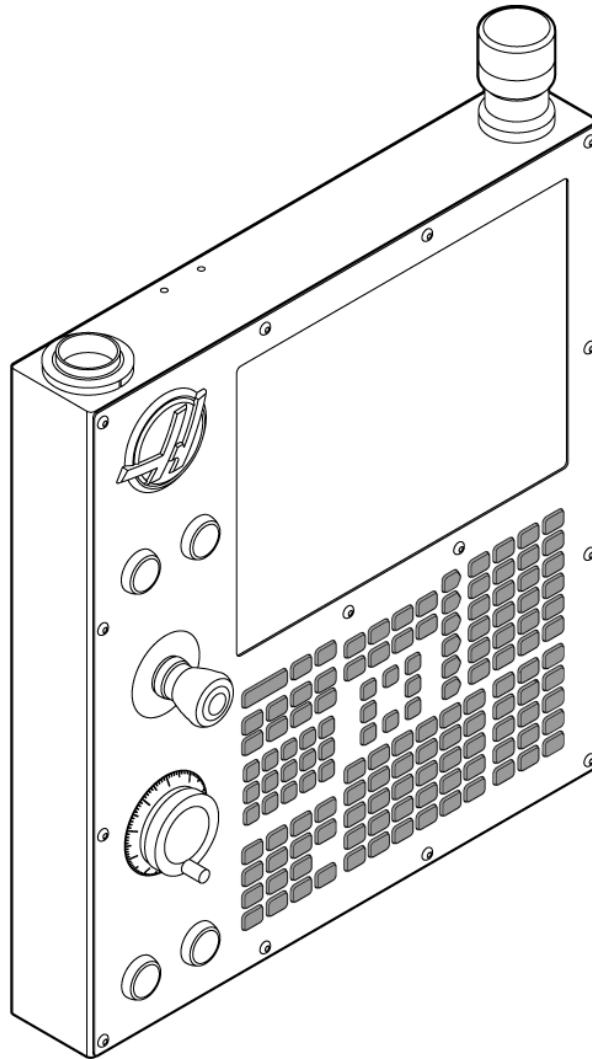
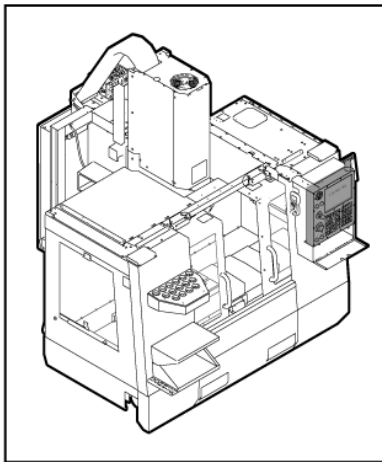


Translation
Available



Keypad - Rubber-Type - Replacement - Introduction

This procedure tells you how to replace the rubber-type keypad on the control pendant.



Prerequisites

Tools Required

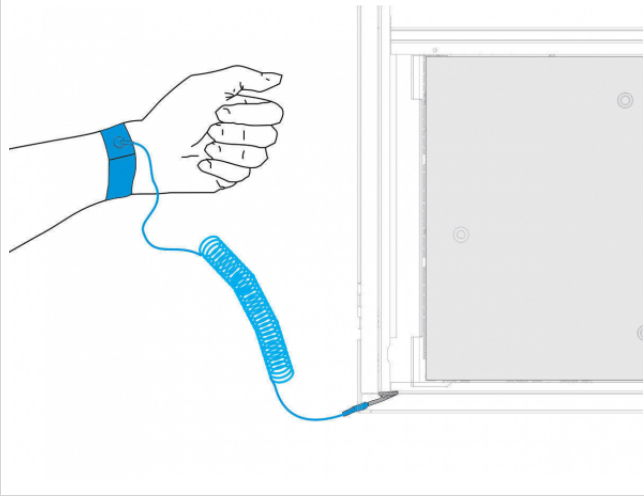
- Electrostatic Discharge (ESD) Strap

Parts Required:

- Keypad Rubber-Type

Keypad - Rubber-Type - Removal

STEP 1



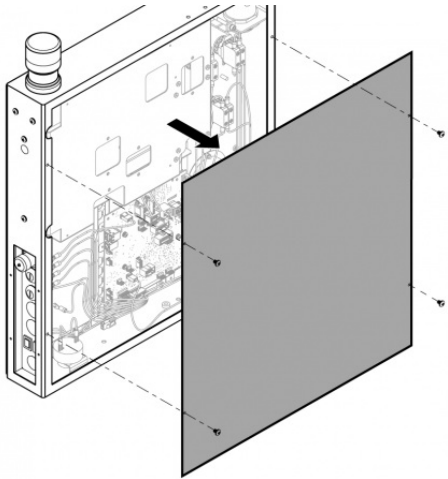
Press **[POWER OFF]**.

Turn off the machine.



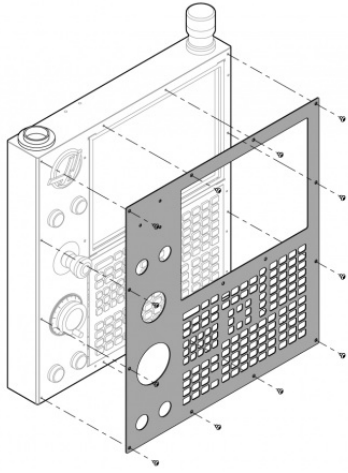
Caution: Use an electrostatic discharge (ESD) strap when you touch electronic components.

STEP 2



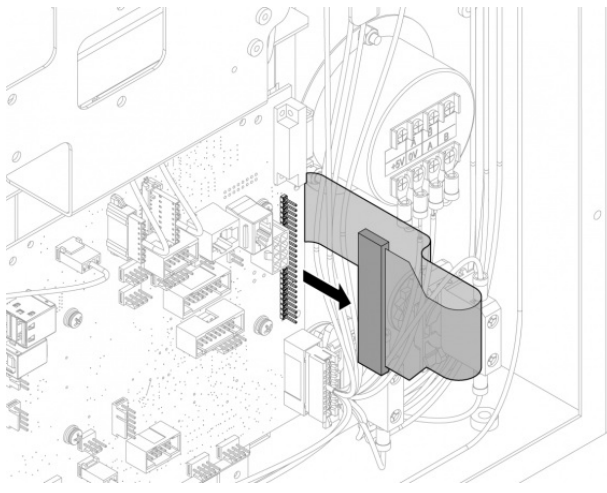
Remove the rear panel from the control pendant assembly.

STEP 3



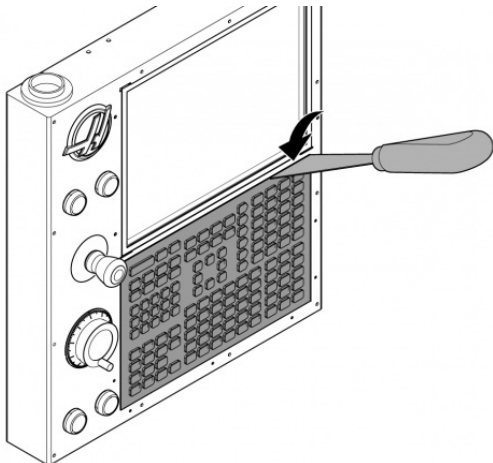
Remove the front panel from the control pendant assembly.

STEP 4



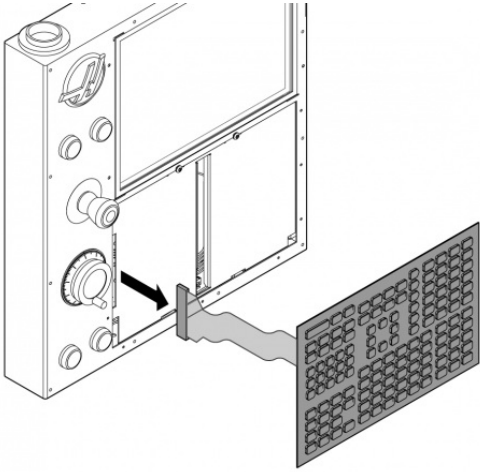
Disconnect the 24-pin ribbon cable from the keypad PCB.

STEP 5



Use a putty knife or a small flat screwdriver to carefully remove the rubber keypad.

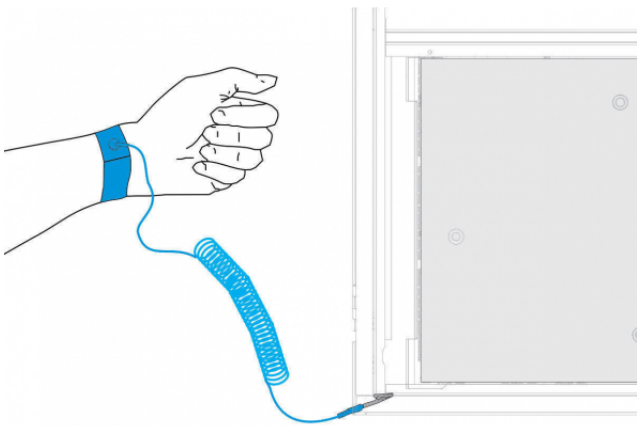
STEP 6



Carefully pull out the 24-pin ribbon cable through the opening of the control-pendant panel.

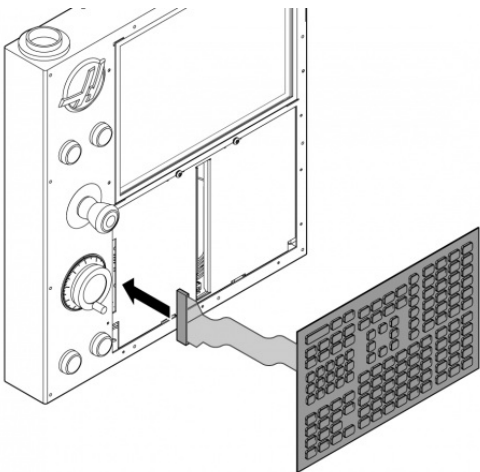
Keypad - Rubber-Type - Installation

STEP 1



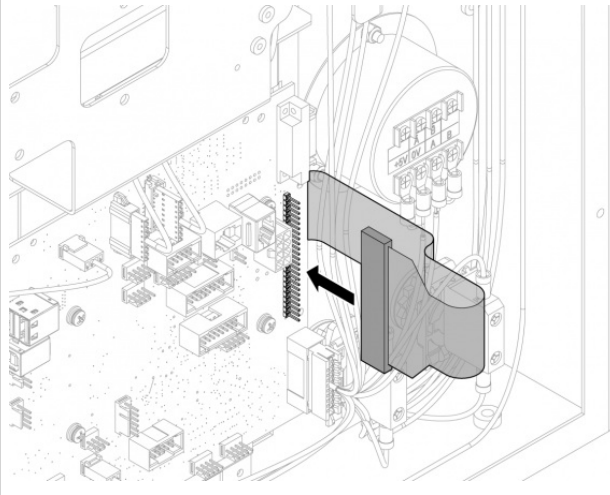
! **Caution:** Use an electrostatic discharge (ESD) strap when you touch electronic components.

STEP 2



Insert the 24-pin ribbon cable through the opening of the control-pendant panel.

STEP 3

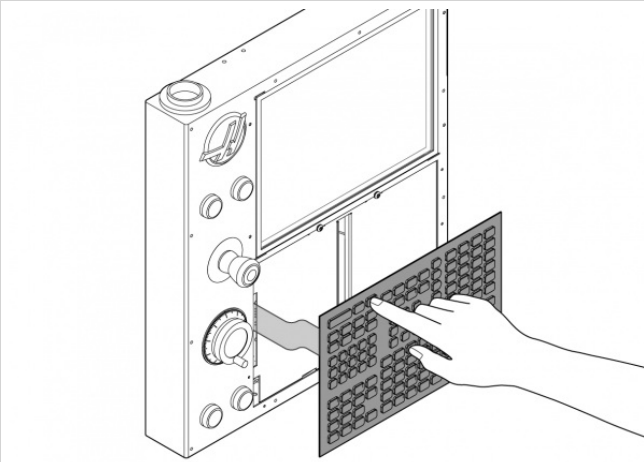


Connect the 24-pin ribbon cable into the keyboard PCB.



Note: Be careful when you insert the ribbon cable connector into the connector of the keypad PCB. Make sure you do not bend the pins.

STEP 4



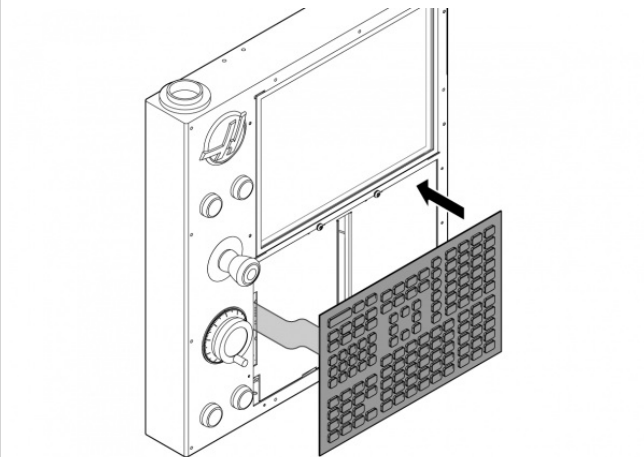
Press **[POWER ON]**.

Make sure the keypad operates.



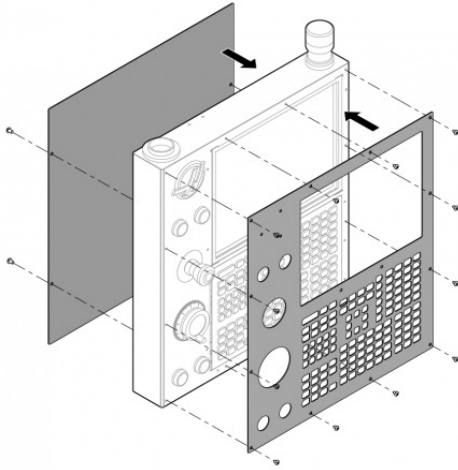
Press **[POWER OFF]**.

STEP 5



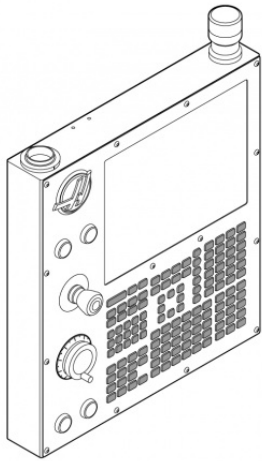
Remove the cover of the adhesive strip on the rear of the keypad. Use the upper right corner of the keypad recess to align the keypad. Press the keypad into position.

STEP 6



Install the rear and front covers.

STEP 7



Press **[POWER ON]**.

Make sure the keypad operates.