



Front Window - UMC-750, VF-7/9 - Replacement

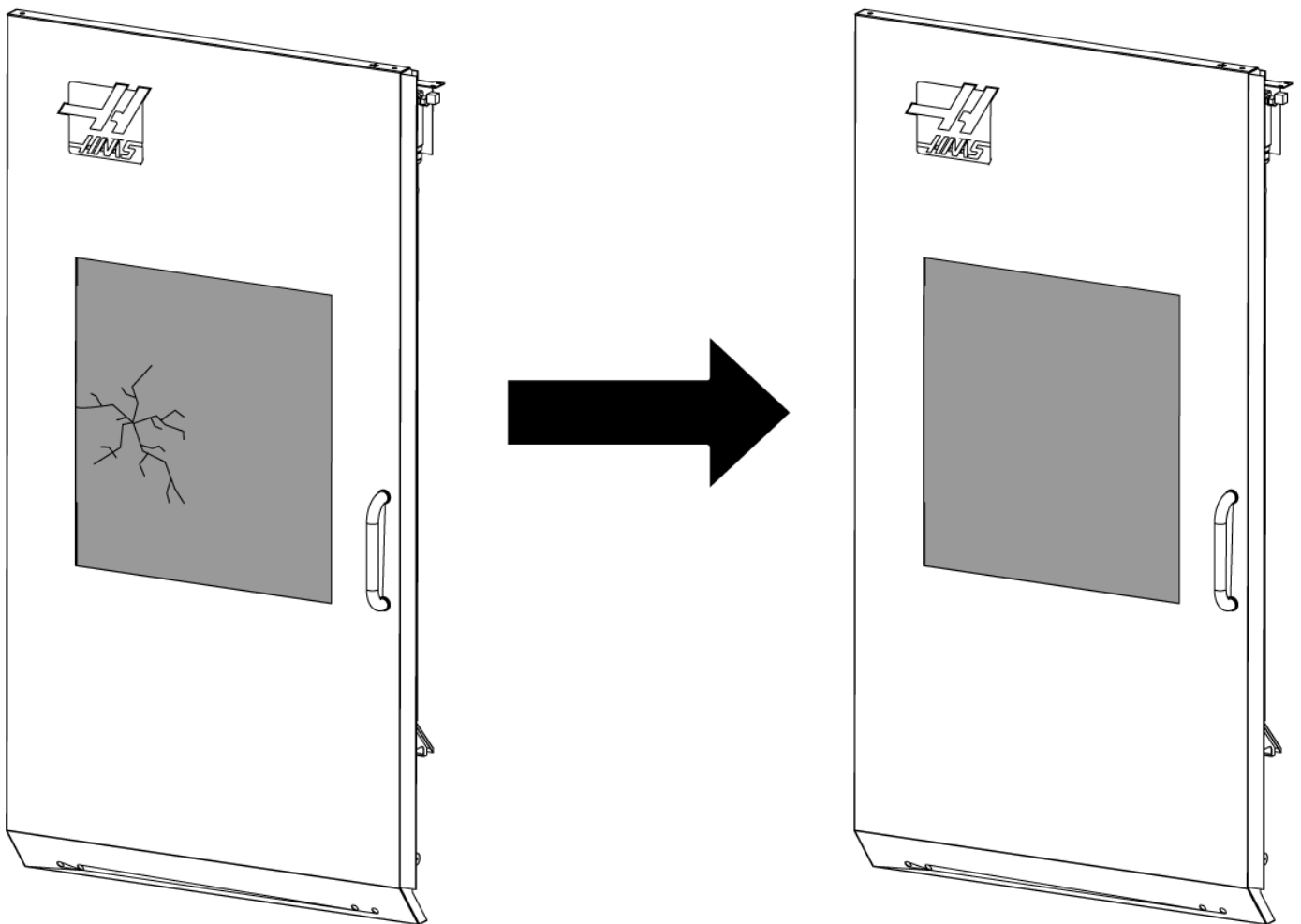
Scan code to get
the latest version
of this document




Translation
Available

UMC-750, VF-7/9 - Front Window - Replacement - Introduction

Do this procedure to replace the safety glass windows.




 **Caution:** When you do maintenance or repair on CNC machines and their components, you must always follow basic safety precautions. This decreases the risk of injury and mechanical damage.

Do these steps before you do work in the machine or in the control cabinet:

- Set the main circuit breaker to the **[OFF]** position.
- Use an approved lock with an approved safety tag. Always follow lock-out procedures in accordance to local government rules.
- After turning off the machine, wait at least 5 minutes before working in the control cabinet, to allow power to dissipate. Wait for the voltage indicator LED on the vector drive to go off completely.
- Always turn off the main air supply when you work on any part of the pneumatic system.
- Make sure to rest the spindle head on a block of wood when work is done on a vertical axis. This will prevent any unintended movement that could result in the axis falling.
- Never alter any safety circuits on the machine.

You should not do machine repair or service procedures unless you are qualified and knowledgeable about the processes. Serious damage to the machine components can result in costly repairs. The service technicians at your Haas Factory Outlet (HFO) have the training and experience, and are certified to do these tasks safely and correctly. The repair and service work performed by your HFO is protected with a limited warranty.

 **Danger:** Some service procedures can be dangerous or life-threatening. DO NOT attempt a procedure that you do not fully understand. If you have any doubts about doing a procedure contact your Haas Factory Outlet (HFO) and schedule a service visit.

Machine Compatibility

Do this procedure for these machines:

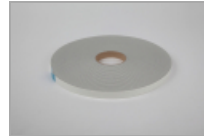
- UMC-750 made after February, 2012
- VF-7/9 made after November, 2015

Parts Included

KIT PN: 93-2292, WINDOW, GLASS 35.75" X 32.5" KIT. QTY: 1



[A] 28-0073C QTY: 1
WINDOW, GLASS 35.75" X 32.5"



[B] 57-0505 QTY: 1 UOM: 280"
SEAL, 0.75" X 0.1875" FOAM TAPE
VINYL

UMC-750 - Front Window - Replacement

This procedure tells you how to replace the front window on a UMC-750.

STEP 1



Push **[POWER OFF]**.

Set the main circuit breaker to the **OFF** position.

Lock the main circuit breaker. Use an approved lock with an approved safety tag.

STEP 2

Open the front door. Remove the retainer screws you can access from outside of the machine. Go into the machine and close the front door. Remove the remaining screws.

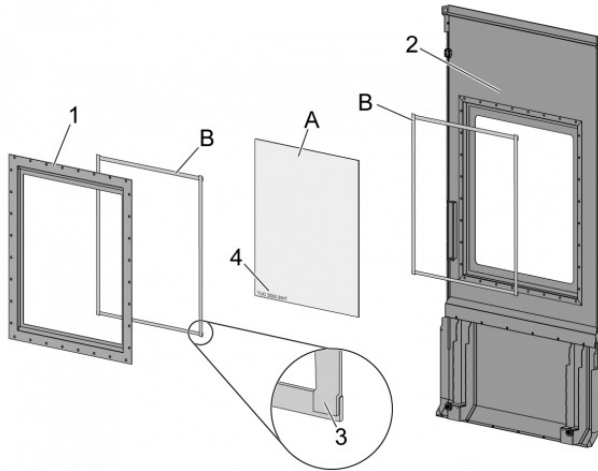
Carefully remove the retainer [1], the old foam tape [B] and the old glass window [A].

Use a scraper to fully remove all of the old foam tape [B] from the door. Clean the areas of all remaining tape.

Cut (1) piece of the new FOAM TAPE [B] to go along each edge of the window openings. Apply the (8) pieces of tape. Make a 3/4" overlap [3] at the ends.

Find the engraved label "THIS SIDE OUT" on the pane of the new GLASS WINDOW [A]. This label must face the outside of the door.

Install the GLASS WINDOW [A], the retainer and all of the retainer screws from inside of the machine first. Install the remaining screws from outside the machine.



VF-7/9 - Front Window - Replacement

This procedure tells you how to replace the front window on a VF-7/9.

STEP 1

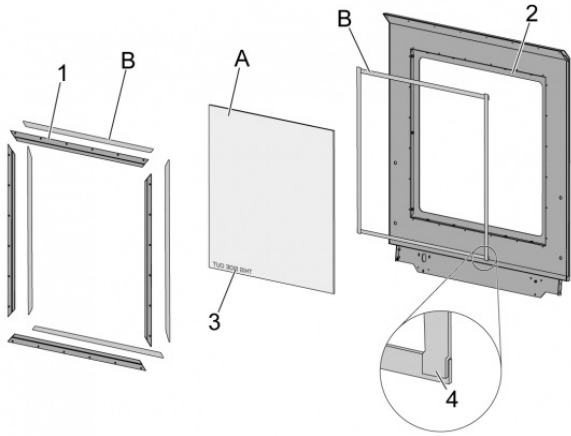


Push **[POWER OFF]**.

Set the main circuit breaker to the **OFF** position.

Lock the main circuit breaker. Use an approved lock with an approved safety tag.

STEP 2



Go into the machine to get access to the inner side of the front door.

Carefully remove the (4) retainers [1], the old foam tape [B], and the old glass window [A].

Use a scraper to fully remove all of the old foam tape [B] from the door. Clean the areas of all remaining tape.

Cut (1) piece of the new FOAM TAPE [B] to go on the retainer [1] and along the edge of the window opening. Apply the (5) pieces of tape. Make a 3/4" overlap [4] at the ends of the (1) piece of tape on the door [2].

Find the engraved label "THIS SIDE OUT" [3] on the pane of the new GLASS WINDOW [A]. This label must face the outside of the door.

Install the bottom and left retainers. Install the GLASS WINDOW [A]. Install the (2) remaining retainers.