



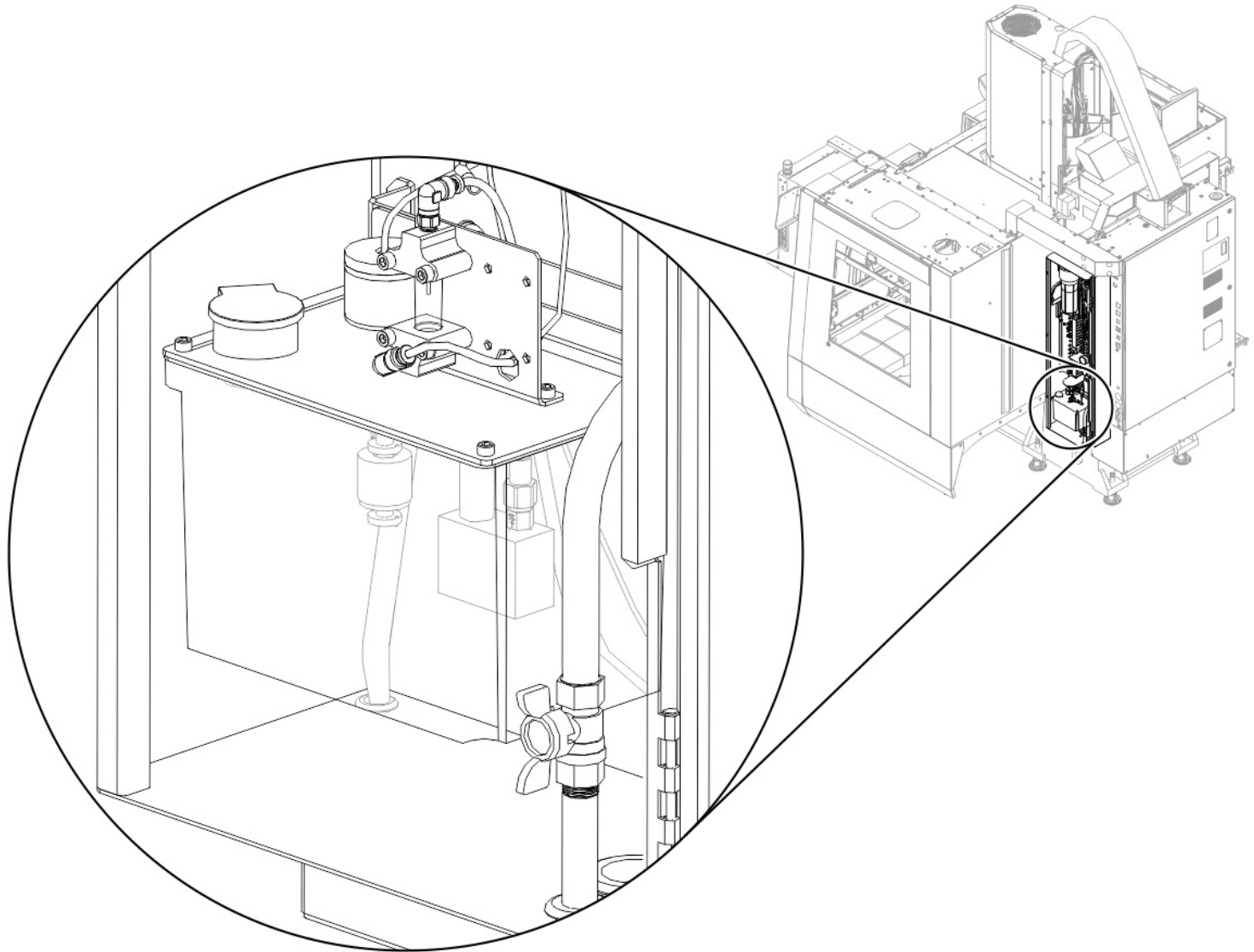
# Overview - Spindle Lubrication System - Minimum Lubrication - Oil Pump

Scan code to get  
the latest version  
of this document



Translation  
Available

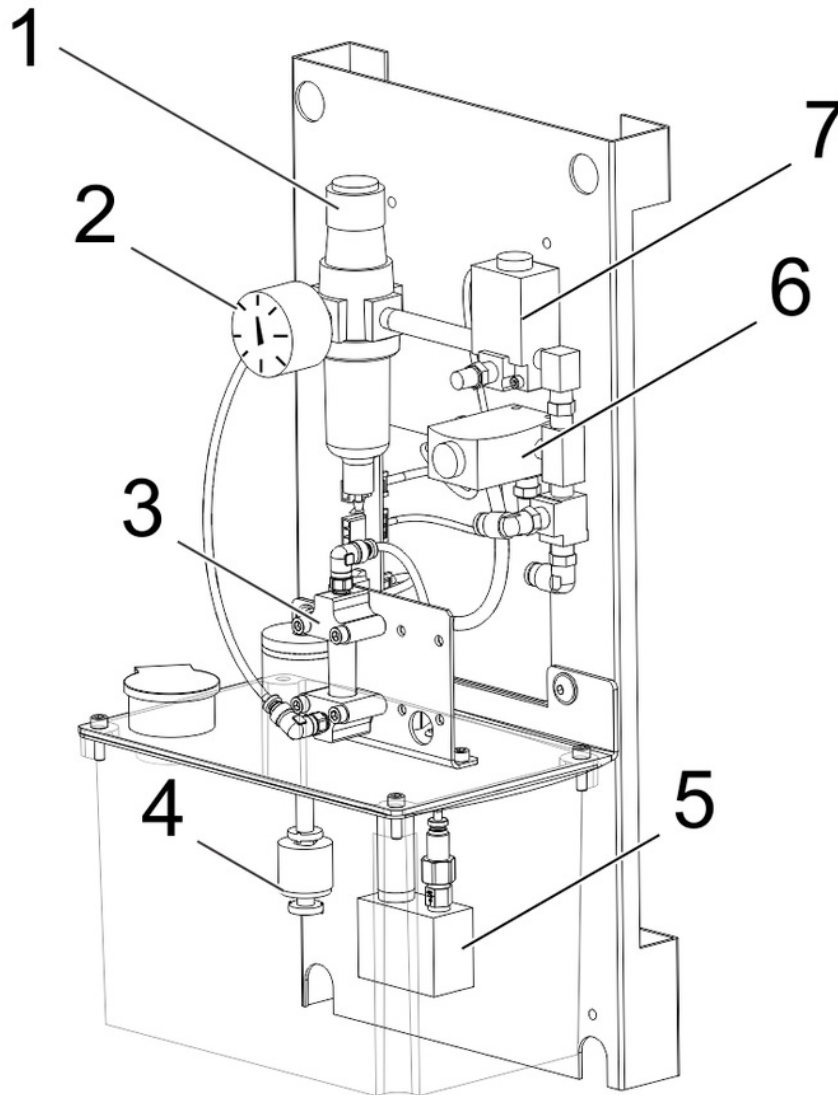
slide\_content




The minimum lubrication oil pump is a resistance-type lubrication system. The system pumps an air/oil mixture through a nylon tube to the spindle.

slide\_content

## Minimum Lubrication - Oil Pump - Identification




1. The air filter removes contamination and moisture from the air before it goes to the solenoid valves.
2. The air pressure gauge shows the pressure (in psi) at which the air is regulated.
3. The drip sight glass lets you see the quantity of oil that goes to the spindle.

 **Note:** The first drip sight glass was installed on Haas machines with the Grease-Gun Axis Lubrication System made after April 2010.

4. The low level switch tells you if the oil level is low. This causes Alarm 121 Low Lube or Low Pressure.

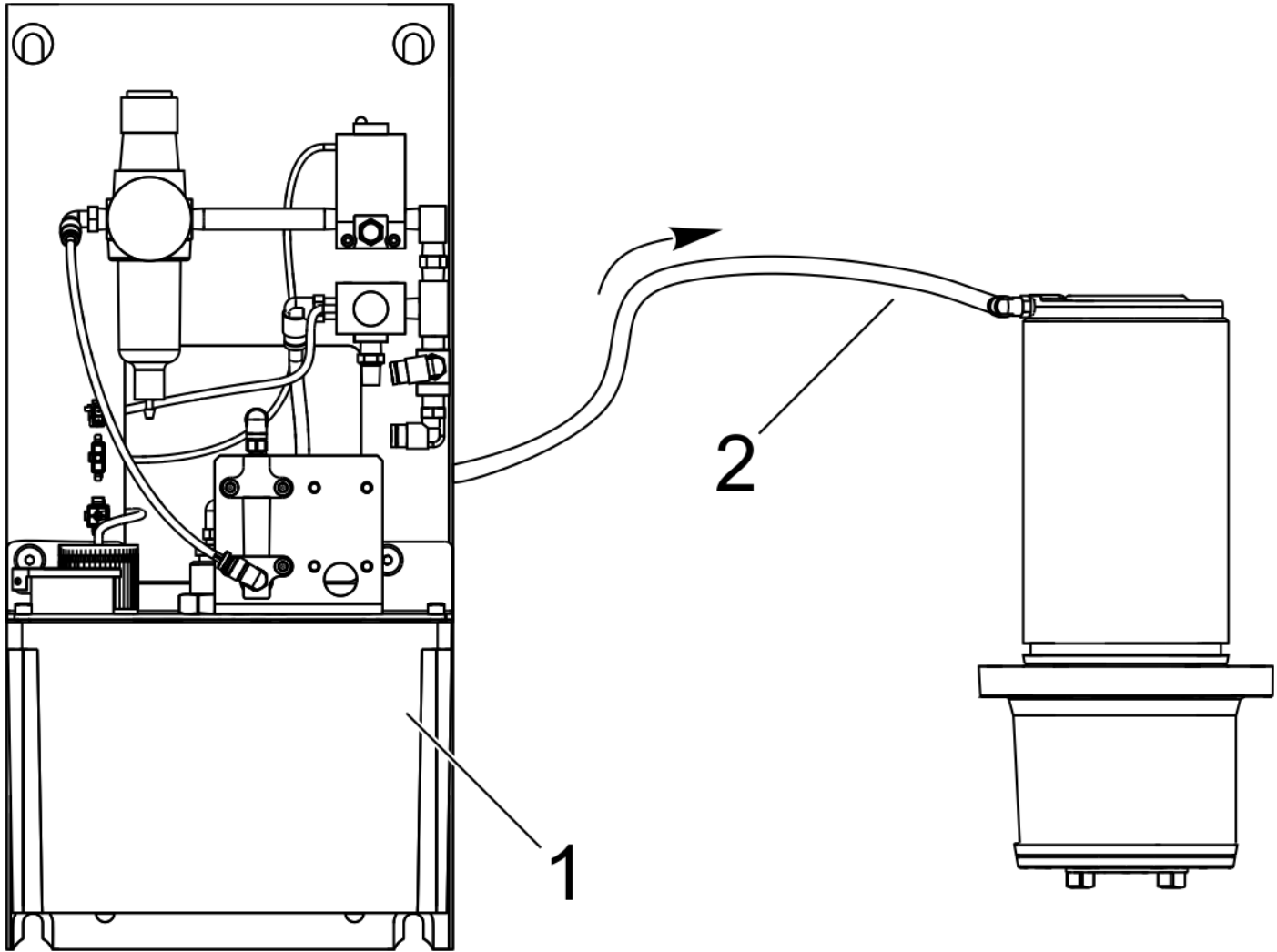
 **Note:** Oil reservoirs made before November 2013 have a low-level switch.

 **Note:** Oil reservoirs made after November 2013 have a level sensor.

5. The oil pump pushes oil through the system.
6. The spindle air and oil pump solenoid assembly controls the air to the oil reservoir.
7. The spindle air solenoid assembly controls the air and oil mixture to the spindle.

slide\_content

## Minimum Lubrication - Oil Pump - Spindle Lubrication System - Spindle Lubrication



A nylon tube supplies the spindle with an air and oil mixture through a non-restrictor fitting.

- A mixture of air and oil from the oil reservoir lubricates the spindle.
  - Every 30 minutes, when the spindle is in motion, the oil pump inside the oil reservoir [1] sends the air and oil mixture through a nylon tube [2] to the spindle.
  - This system uses SHC 625. The oil reservoir stores the oil.