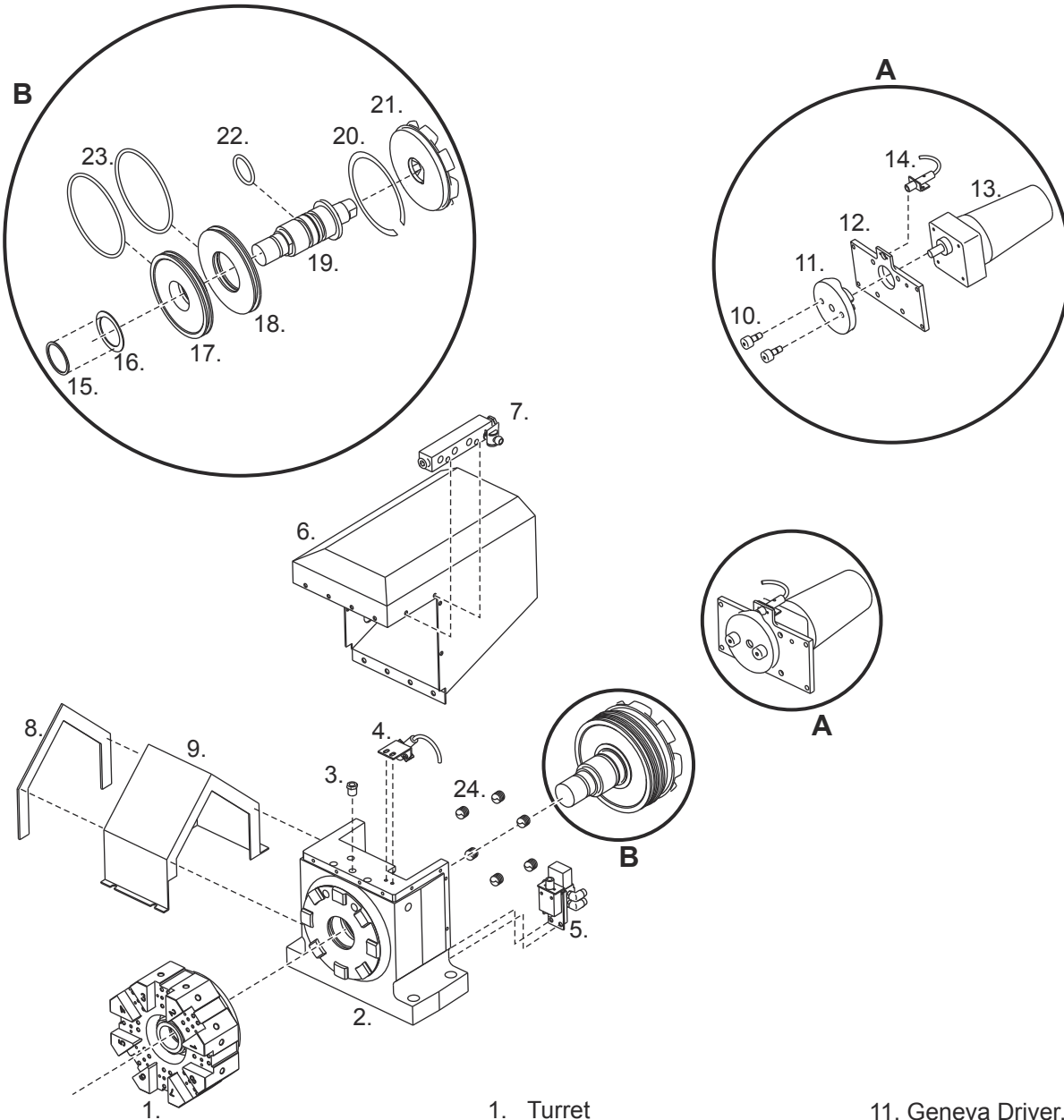




TT-20 - Tool Turret



- | | |
|--|----------------------------|
| 1. Turret
Turret Seal | 11. Geneva Driver, 2 pin |
| 2. Housing | 12. Motor Bracket |
| 3. Reducer Fitting | 13. Motor |
| 4. Switch Bracket
Prox Switch (Clamp) | 14. Prox Switch (Cam Home) |
| 5. Solenoid Assy.
Prox Switch (Unclamp)
Switch Bracket | 15. Retaining Ring |
| 6. Turret Housing Cover | 16. Washer |
| 7. Coolant Block | 17. Upper Piston |
| 8. Sponge Gasket | 18. Lower Piston |
| 9. Cable Cover | 19. Piston Shaft |
| 10. Cam Follower (x2) | 20. Snap Ring |
| | 21. Geneva Star |
| | 22. O-Ring |
| | 23. O-Ring (x2) |
| | 24. Die Springs (x6) |