

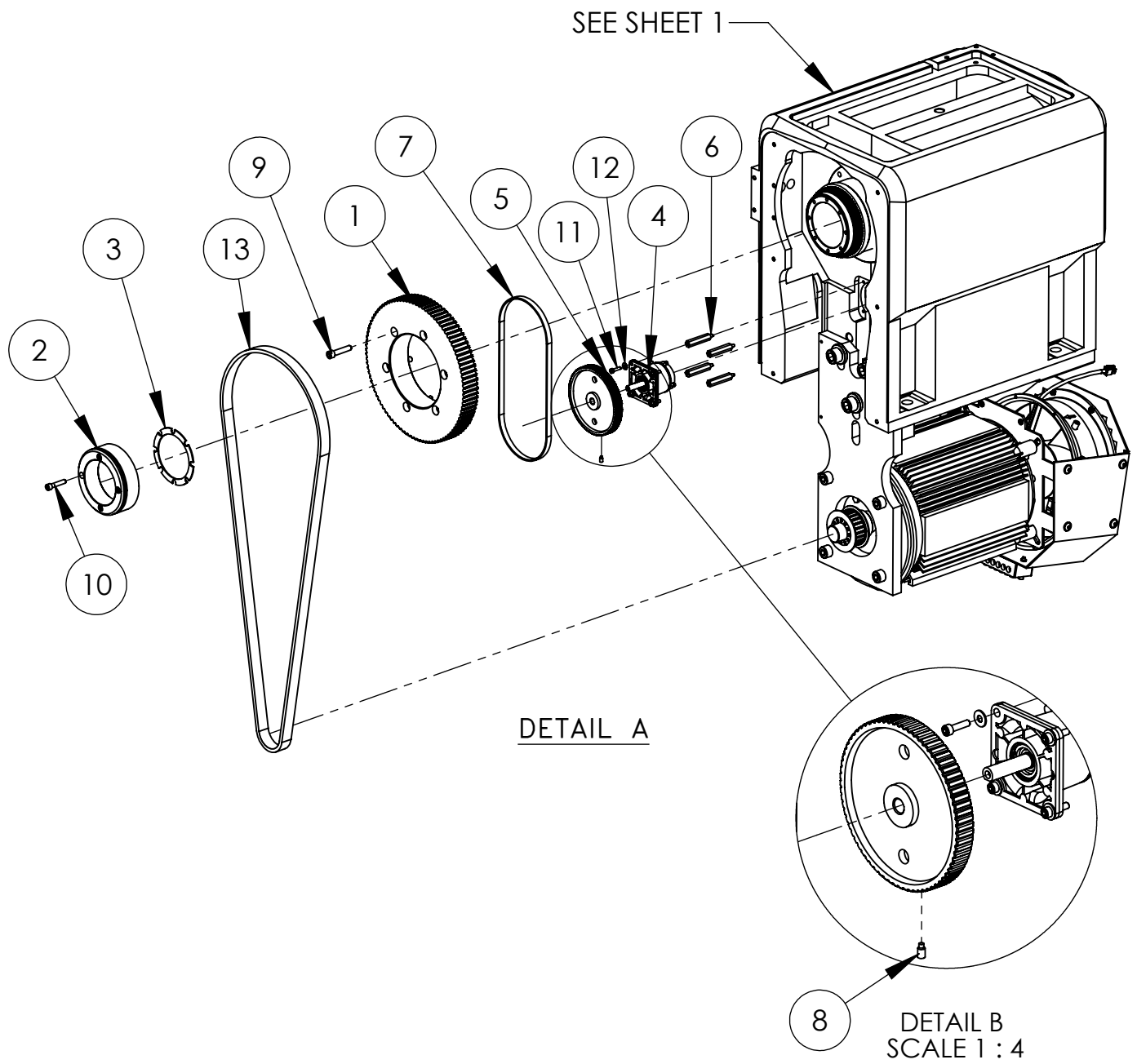
ITEM NUMBER	DESCRIPTION	QTY.
1	SPINDLE MOTOR 5HP	1
2	MOTOR MOUNT PLATE TL-1-2	1
3	FAN BRACKET 10HP SHROUD	1
4	FAN SHROUD TL-1/2	1
5	SHCS 1/2-13 X 1 1/2 DOMESTIC ONLY	4
6	BHCS 8-32 X 3/8	4
7	FBHCS 1/4-20 X 1/2 SLF-TP W/LOCTITE PATCH	8
8	SHCS 10-32 X 1 1/4	2
9	TERM BLK 6 POLE 90A #4 - #14 DEAD F	1
10	FAN ASSY SP HI-AIR-FLOW 27" CBL	1
11	1SPINDLE HEAD MACH TL-2	1
12	SHAFT SPINDLE ASSY	1
13	RING RETAINER SPINDLE	1
14	LOCATING PIN	1
15	SHCS 3/8-16 X 3/4 ZINC PLATED	1
16	SHCS 3/8-16 X 1.5	6
17	O-RING 2-265 BUNA	1
18	SHCS 5/8-11 X 2 1/2	3
19	WASHER 5/8 HARD	3

SHEET 1 OF 2

DESCRIPTION
TL-2 SPINDLE HEAD ASSY

EFFECTIVE DATE
OCT-2003

SAP DOC NO./VER: 1000007691/01



ITEM NO.	DESCRIPTION	QTY.
1	SPKT PGGT 8M-96-20	1
2	SPINDLE EXTENSION	1
3	SPINDLE ADAPTER GASKET TL-2	1
4	HAAS MAGNETIC ENCODER (SHAFTED)	1
5	SPKT TIMING XL-.375-72 SPINDLE	1
6	63-0201 STANDOFF 3/8 X 1.812 8-32 M/F ALUM	4
7	54-3100 TIMING BELT X-.375-27.4 274XL037	1
8	SSS 10-32 X 3/8 FULL DOG	1
9	SHCS 5/16-18 X 1 1/2" LG	6
10	SHCS 1/4-20 X 1 1/4	4
11	SHCS 8-32 X 5/8	4
12	WASHER, #8 FLAT, SAE PLT	4
13	DRV BELT 1600-8 MGT-20 POWERGRIP	1

SHEET 2 OF 2

EFFECTIVE DATE
OCT-2003

SAP DOC NO./VER: 1000007691/01

TL-2 SPINDLE HEAD ASSY