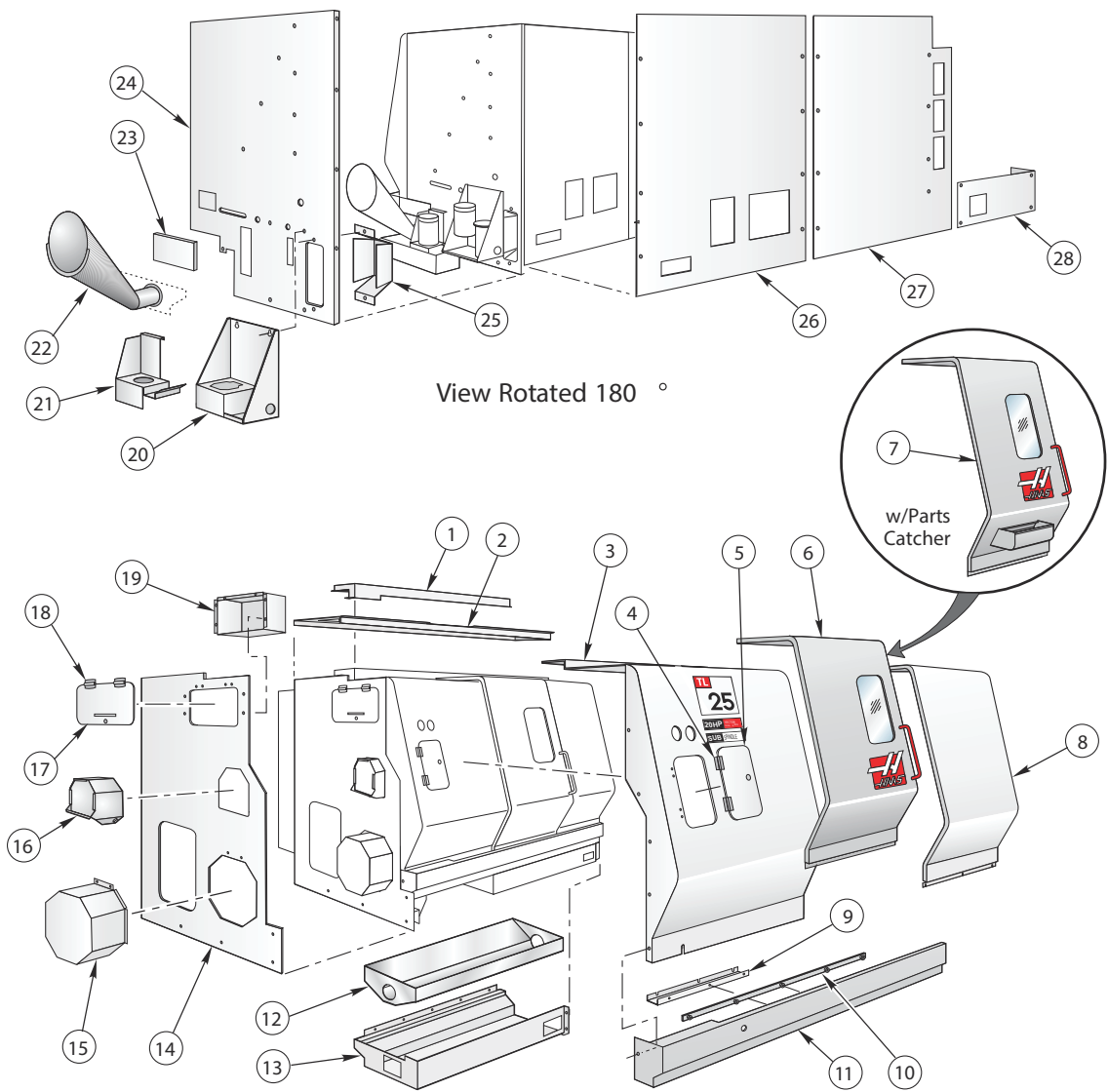




# TL-25 - External Enclosure



- |    |                               |    |                            |
|----|-------------------------------|----|----------------------------|
| 1  | Top Door Roller Mount         | 15 | Motor Enclosure            |
| 2  | Top Right Panel               | 16 | Coolant Collector / Door   |
| 3  | Left Front Panel              | 17 | Toolbox Door               |
| 4  | Door Hinge (2)                | 18 | Door Hinge (2)             |
| 5  | Access Door                   | 19 | Toolbox                    |
| 6  | Door Assembly                 | 20 | High Pressure Pump Bracket |
| 7  | Door w/Parts Catcher Assembly | 21 | Coolant Pump Mount         |
| 8  | Right Front Panel             | 22 | Auger Discharge Chute      |
| 9  | X-Axis Drip Tray              | 23 | Chip Tray Filler           |
| 10 | Door V-Track                  | 24 | Right End Panel            |
| 11 | Front Rail                    | 25 | Tramp Lube Oil Pan Bracket |
| 12 | Chip Auger Pan                | 26 | Right Rear Panel           |
| 13 | Chip Tray                     | 27 | Center Rear Panel          |
| 14 | Left Side Panel               | 28 | Left Bottom Rear Cover     |