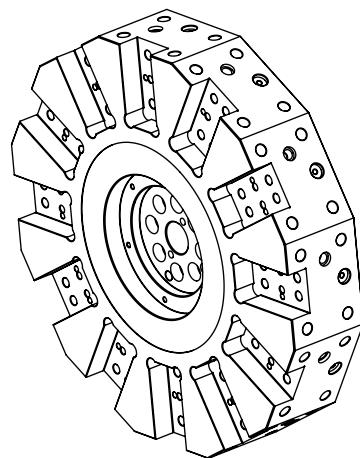


ITEM NO.	DESCRIPTION	QTY.
1	HOUSING FINISH MACHINED ST 20/30 LATHE	1
2	DRV MTR ASSY S30 TURET	1
3	GASKET TURRET GEARBOX	1
4	COVER TURRET GEARBOX	1
5	SHCS 5/16-18 X 1 W/BLUE LOCTITE	30
6	BRACKET TURRET HOME SWITCH	1
7	SPACER GEAR THICK	2
8	SPACER GEAR THIN	2
9	GEAR 80T TURRET DRIVE	2
10	SHCS 1/4-20 X 3/4 W/PATCHZINC PLATED	2
11	WASHER 5/16 SPLT LOCK PLTMED	4
12	O-RING 2-116 BUNA	2
13	O-RING 2-274 BUNA BRAKE/PLATTER 1	1
14	O-RING 2-348 BUNA	1
15	SEAL 1.250 CR12325 1.624 O.D.	1
16	FLAG TURRET HOME UNCLAMP	1
17	BRACKET SWITCH ST30100/12X12X12" BOX	2
18	PROX NO TL UNCLMP 12.0	1
19	PROX L/S TOOL CLAMP	1
20	PROX L/S TOOL CLAMP	1
21	WASHER #10 HARD 75-00 3/16 HAR	4
22	SHCS 8-32 X 3/8	4
23	SHCS M3 X 12MM	2
24	SHCS 10-32 X 1/2 ZINC PLATED	4
25	SHCS 5/8-11 X 1 3/4 BLCK	8
26	PISTON ASSEMBLY ST20/30 TAB DRIVE	1
27	TURRET FINISH MACHINED VB30SS	1
28	SHCS 1/4-20 X 1 1/4	6
29	COVER TURRET FRONT 12 STATION	1
30	GEAR 100T 16DP ST TAB DRIVE	1
31	VDI-40 LOCK SCREW ASSY	6
32	BOT 20/40 20MM CAM BTN	6
33	FHCS 1/4-20 X 3/4	6
34	FITG NPT-1/4-M PLUG LOCTITE VIBRA S	24
35	FBHCS 1/4-20X1/2 SLF-TPW/LOCTITE PTCH	7
36	SHCS 5/16-18 X 1 1/4 DOMESTIC ONLY	6
37	COVER TURRET REAR ST30	1
38	CLAMP BLOCK 1.25	6
39	SHCS 3/8-16 X 1 /BLUE LOCTITE	4
40	O-RING 2-120 BUNA	1
41	SSS HOLLOW 1"-12	1
42	SPRING COMPRESSION 71964S	1
43	MACHINING COOLANT HSG VDI/VB	1
44	HPC LOW PRESSURE SENSOR 4PSI	1
45	NOZZLE OUTPUT COOLANT DOVETAIL	1
46	NOZZLE HOUSING COOLANT ST	1
47	O-RING 2-014 VITON	1
48	O-RING 2-115 BUNA	1
49	O-RING 2-122 BUNA	1
50	CLAMP BLOCK BOLT 1.25	12
51	HYDRAULIC MANIFOLD ASSY ST LATHES	1
52	HOSE HYD 3/8" 30" 37 DEG JIC F BOTH END	4
53	HOSE HYD 3/8 24" 37 DEG JIC BOTH END	4
54	FITG COUPLER NPTF 1/4 F PLATED	2
55	NIPPLE 1/4 NPTF PLATED 2" 1000 PSI	1
56	FITG JIC-6-M XNPT-1/4 STR VIBRA SEAL	2
57	FITG REDUCING NPTF 1/4M X 1/8F PLATED	1
58	STANDARD PRESSURE COOLANT INPUT	1

VB STYLE TURRET SHOWN ABOVE
OTHER TURRET VARIATIONS LISTED BELOW



BOT TURRET

Description

Effective Date

ST-40 TOOL CHANGER 12 STATION

FEB-2012

SAP DOC NO./VER: /01