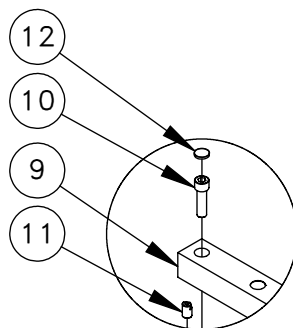
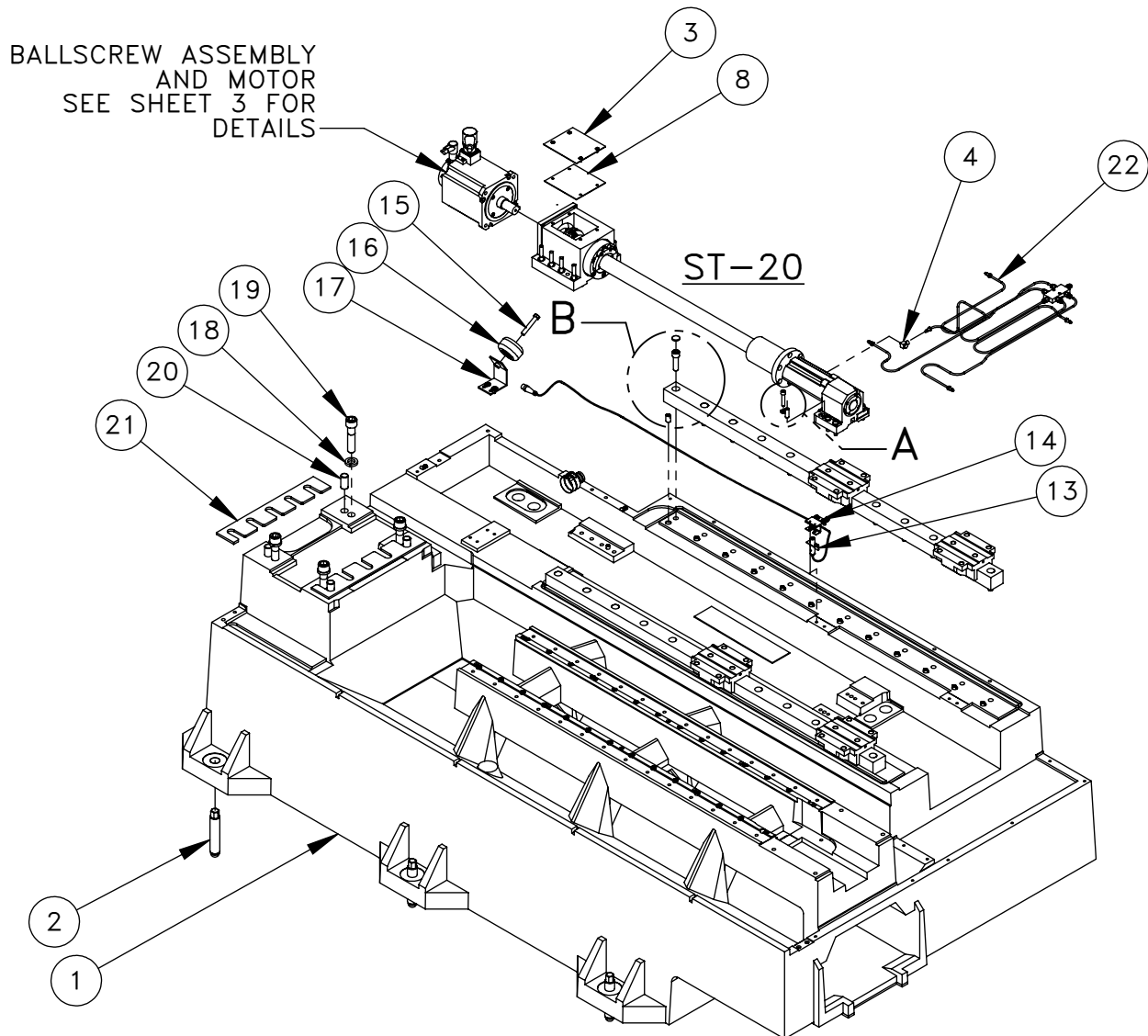


DETAIL A
SCALE 1 : 5



DETAIL B
SCALE 1 : 10



ITEM NO.	DESCRIPTION	QTY.
1	MACHINING BASE ST20	1
2	SSS 1-14 X 5 ROUND PT	6
3	COVER PLT MTR MNT 50-100/BX & MX 10K/PLT	1
4	LUBE FITG ADPT 5/16-24-F X M6X	1
5	SHCS 5/16-18 X 1 1/2" LG	6
6	DOWEL PIN 3/8 X 1	4
7	WASHER 5/16 SPLT LOCK PLT	6
8	26-7233A.SLDPRT GASKET DEFLECTOR SHIELD	1
9	LINEAR GUIDE 45 X 1200 VF-3 FOR SERVIC	2
10	SHCS 1/2 - 13 X 1 1/3 (HAAS P/N: 40-1663)	24
11	CAM LINEAR GUIDE	50
12	PLUG GUID RAIL .788 OD X .118 THICK RU	24
13	PROX SW NC 3 WIRE 1.5' W/CONN	1
14	PROX SENSOR MNT BRKT 1/4	1
15	HHB 3/8-16 X 2 1/4	1
16	GUIDE WHEEL Y-AXIS WAYCOVER	1
17	Z CVR SUPT ROLLER BRKT	1
18	WASHER 3/4 SPLT LOCK PLT MED	4
19	SHCS 3/4-10 X 3 1/4 DOMESTIC ONLY	4
20	DOWEL PIN 3/4 X 1-1/2	4
21	SHIM .2290 SPINDLE HEAD SL-30-40T	2
22	Z-AXIS GREASE LUBE LINES ST30	1

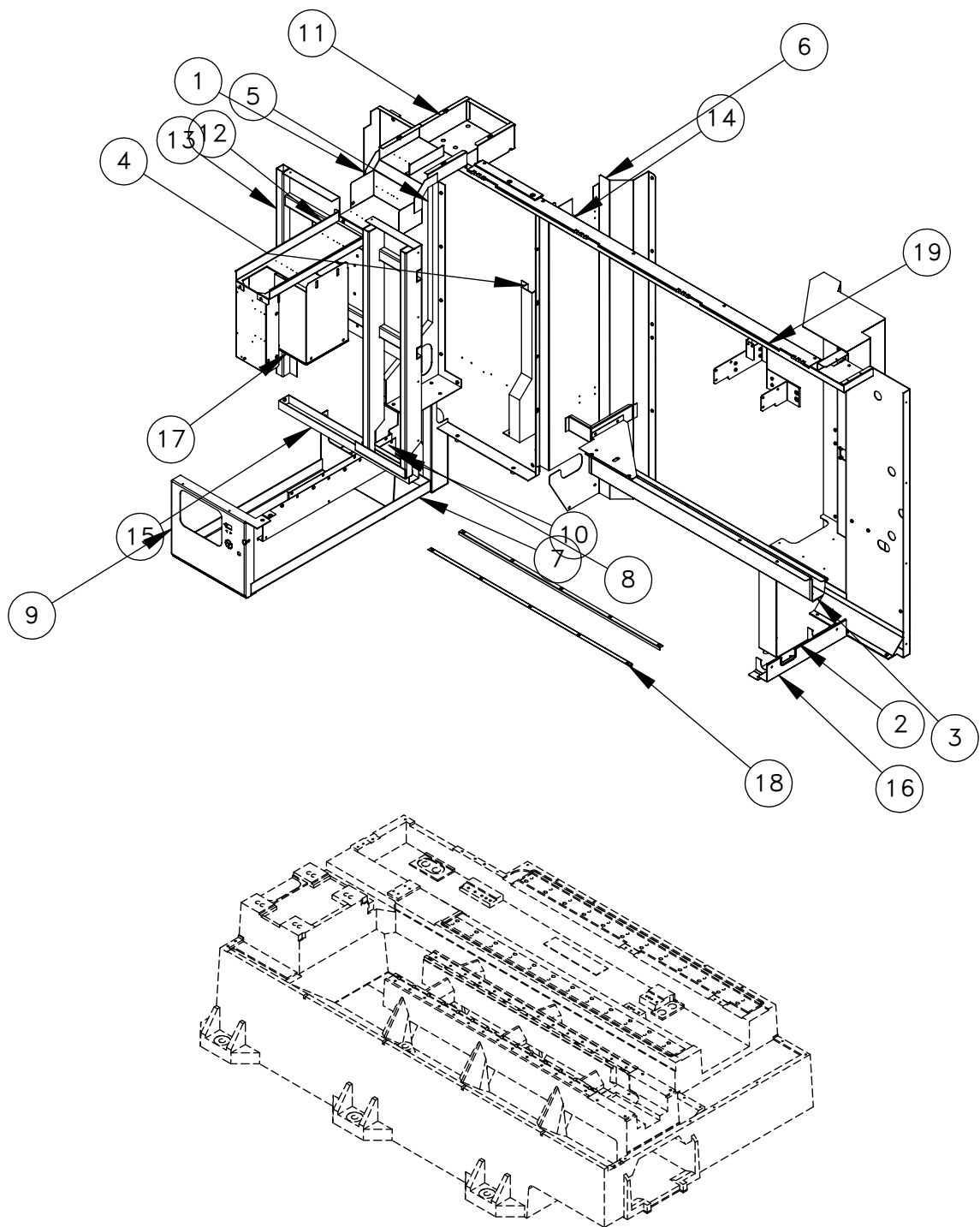
SHEET 1 OF 4

DESCRIPTION
ST-20/Y/SS/SSY BASE ASSEMBLY
AND SHEET METAL KIT

EFFECTIVE DATE

DEC-2013

SAP DOC NO./VER: 1000020509/01

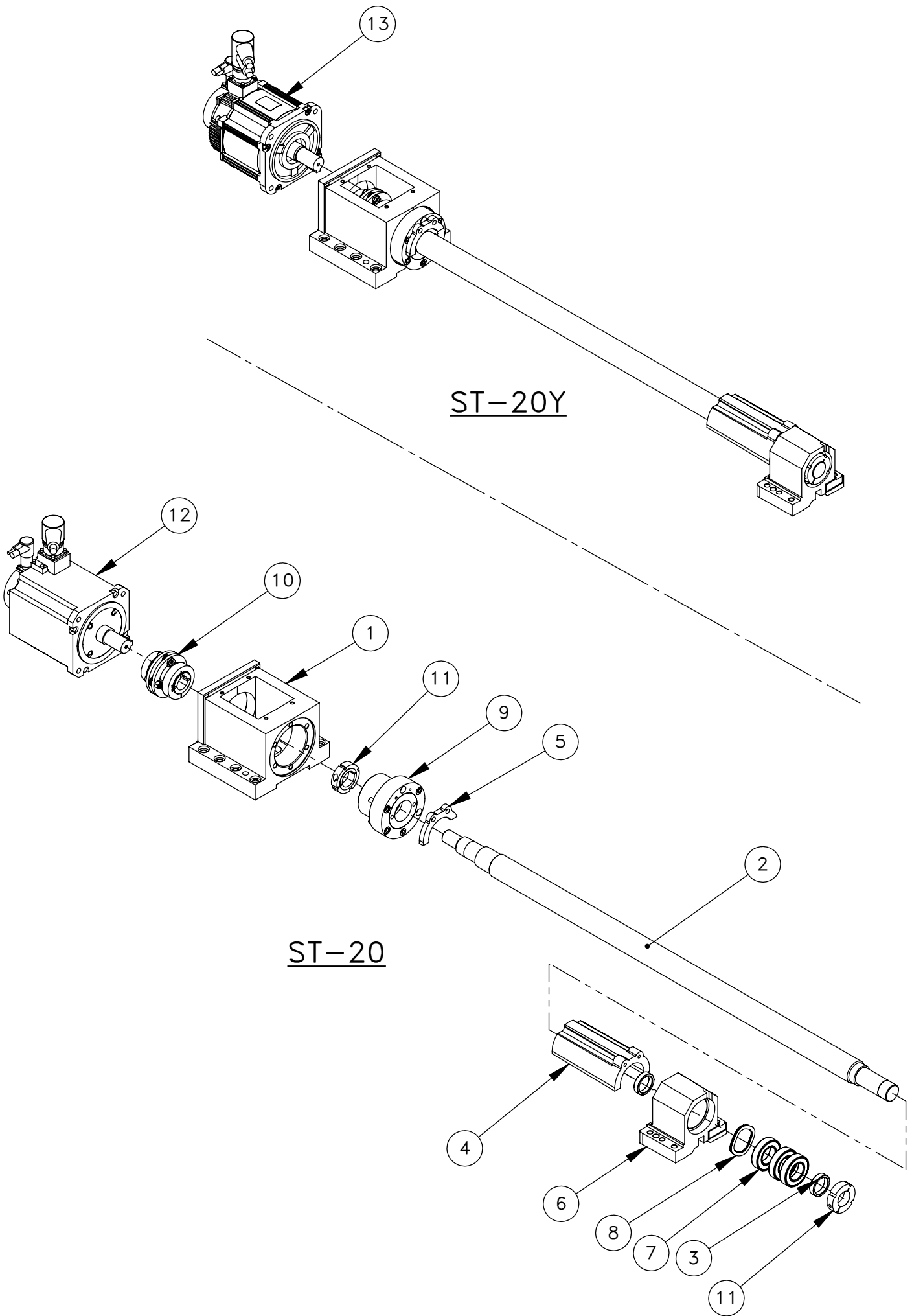


SHEET METAL KIT
BASE SHOWN FOR REFERENCE ONLY

ITEM NO.	DESCRIPTION	QTY.
1	CONTROL MOUNT, ST-20	1
2	RIGHT BACK PANEL SPRT, ST-20	1
3	REAR CABLE TRAY, ST-20	1
4	RIGHT CONTROL BRACE ST-20	1
5	LEFT CONTROL BRACE ST-20	1
6	LEFT BACK PANEL SUPPORT, ST-20	1
7	HPU MOUNT BOTTOM ST-20	1
8	HPU MOUNT REAR ST-20	1
9	HPU MOUNT FRONT ST-20	1
10	HPU CABLE TRAY ST20	1
11	TRAY, CABLES, TOP LEFT, ST-20	1
12	TRAY, CABLES, OVER MOTOR, ST-20	1
13	LEFT ENCL SUPPORT ST-20	1
14	COVER, TOP REAR CABLE CHANNEL, ST-20	1
15	Z AXIS DRIP TRAY S-T30	1
16	TAILSTOCK HOSE CARRIER, ST-20	1
17	UPPER BELT SHROUD TOP HALF ST-20	1
18	LIN GUIDE CAM COVER TS ST-20	2
19	BRACKET, CBL DRAPE MNTG, ST-20 / 30	1

SHEET 2 OF 4

DESCRIPTION	EFFECTIVE DATE
ST-20/Y/SS/SSY BASE ASSEMBLY AND SHEET METAL KIT	DEC-2013
SAP DOC NO./VER: 1000020509/01	



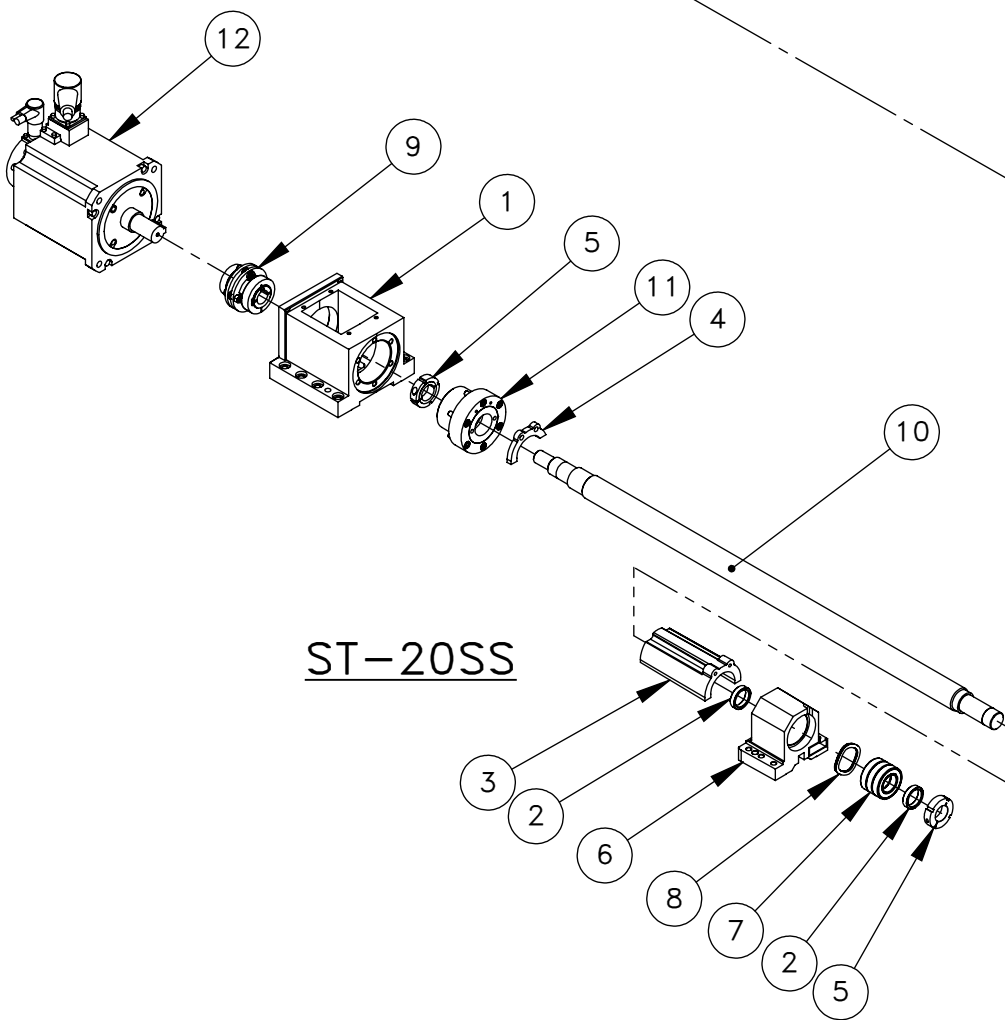
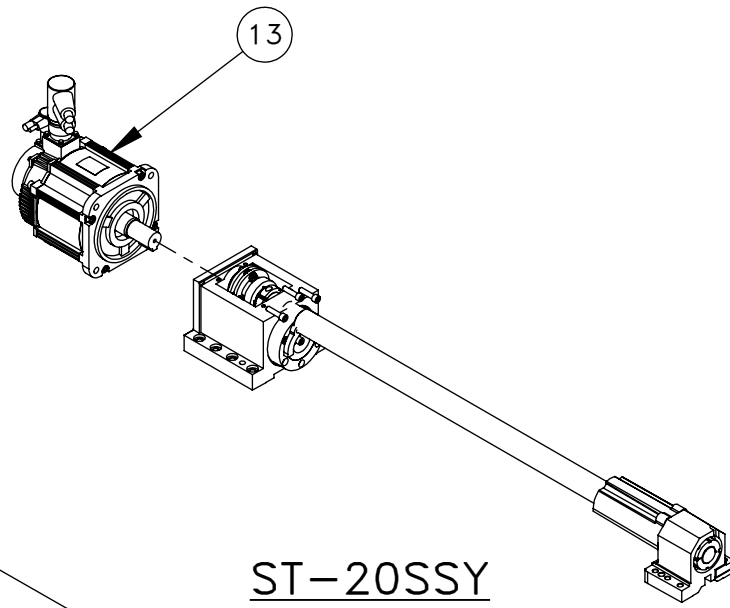
NOTES:

1. ITEM 1 THRU 12 SAME FOR ST-20 AND ST-20Y

ITEM NO.	DESCRIPTION	QTY.
1	MCHNG MTR MOUNT, 40 & 50 MM BS	1
2	BSCREW 40-8-1031 Y/Z AXIS VF-3/4	1
3	SPACER TORQUE LIMIT BALLSCREW VF-6-	2
4	BUMPER 5.75 40/50MM BLSCRW	1
5	BUMPER .350 40MM LDSCRW BRG HSG	1
6	BRNG HSG 40/50MM BS MACHVF-6-10	1
7	BEARING DEEP GROOVE	3
8	WASHER WAVE DISC SPRING MCMSTR #971K73	6
9	BEARING HOUSING 40MM BALLSCREW	1
10	COUPLING 24MM BORE	1
11	BEARING LOCK NUT TCN-06-F	2
12	SRVO MTR MITS 2KW NO BR	1
13	SRVOMTR YASK SIGMA-5 20 W/O BRAKE	1

SHEET 3 OF 4

DESCRIPTION	EFFECTIVE DATE
ST-20/Y/SS/SSY BASE ASSEMBLY AND SHEET METAL KIT	DEC-2013
	SAP DOC NO./VER: 1000020509/01



NOTES:

1. ITEM 1 THRU 13 SAME FOR ST-20SS AND ST-20SSY

ITEM NO.	DESCRIPTION	QTY.
1	MCHNG MTR MOUNT, 40 & 50 MM BS	1
2	SPACER TORQUE LIMIT BALLSCREW VF-6-	2
3	BUMPER 5.75 40/50MM BLSCRW	1
4	BUMPER .350 40MM LDSCRW BRG HSG	1
5	BEARING LOCK NUT TCN-06-F	2
6	BRNG HSN 40/50MM BS MACHVF-6-10	1
7	BEARING DEEP GROOVE	3
8	WASHER WAVE DISC SPRING MCMSTTR #971K73	6
9	COUPLING 24MM BORE	1
10	BSCREW 40-10-1031 Y/Z-AXIS VF3/4	1
11	BEARING HOUSING 40MM BALLSCREW	1
12	SRVO MTR MITS 2KW NO BR	1
13	SRVOMTR YASK SIGMA-5 20 W/O BRAKE	1

SHEET 4 OF 4

DESCRIPTION	EFFECTIVE DATE
ST-20/Y/SS/SSY BASE ASSEMBLY AND SHEET METAL KIT	DEC-2013
	SAP DOC NO./VER: 1000020509/01