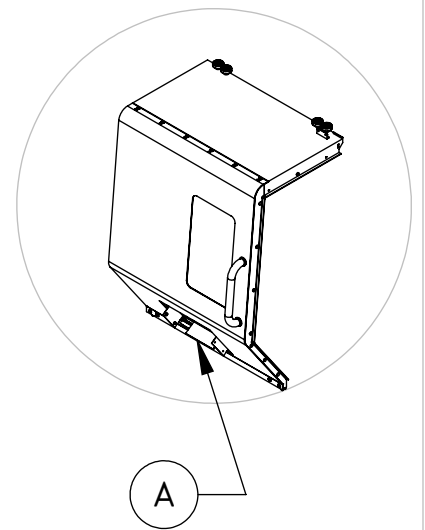


DETAIL B
SCALE 2 : 7

ITEM NO.	DESCRIPTION	QTY.
1	PCAT MOUNT BLOCK	1
2	BUSHING BRONZE 1.507 ID X1.691 OD X 1.00	2
3	SHAFT ST30 PCAT CHUTE ROTATION	1
4	RTNG RING 1.500 SH TRU-ARC 5100-150	4
5	MOUNT, AIR CYLINDER, PCAT 50/BOX	1
6	CYL PIN 3/8 X .46 OFFSET SL-20-30T	1
7	cust prop	1
8	ROD END WITH BALL STUD, 6072K36	1
9	NUT 7/16-20 HEX	1
10	NUT 7/16-20 JAM	1
11	RAIL SPACER	3
12	CHUTE ST30 PCAT	1
13	FITG LBO-5/32 X NPT-1/8-M X 90	2
14	EXTRACTOR BUSHING (WAS 20-9256)	2
15	WASHER 1/4 FLAT A325 ZINC-PLATED	2
16	FBHCS 1/4-20 X 3/4 W/LOCTITE PTCH	8
17	COVER ST30 PCAT CHUTE	1
18	WIPER PCAT CHUTE COVER SIDE	2
19	WIPER PCAT CHUTE COVER TOP	1
20	RETAINER SIDE WIPER PCAT CHUTE COVER	2
21	RETAINER TOP WIPER PCAT CHUTE COVER	1
22	1/4-20 LOCKNUT NYL N INSRT 1/4-20 LOCKNUT	2
23	COLLAR 1 1/2 SHAFT	1
24	WIPER PCAT CHUTE COVER INSIDE LHS	1
25	WIPER PCAT CHUTE COVER INSIDE RHS	1
26	WASHER 1/4 FENDER PLT 1 OD	3
27	BHCS 1/4-20 X 1 1/4 18-8 SS	3
28	PCAT PIVOT ARM	1
29	CBL TIE GREEN 18 LB X 4" LG POLYAMIDE	1
30	CBL TIE YELLOW 18 LB X 4" LG POLYAMIDE	1
31	Cust Properties	1
32	SHCS 1/4-20 X 1 1/2	1
33	SHCS 3/8-16 X 3 3/4	2
34	SEAL 1.50 ID	1
35	PCAT LWR DOOR LINER ST20	1
36	P-CAT DISCHARGE COVER	1
37	BIN ST30 PCAT	1
38	FBHCS 1/4-20 X 1/2 SLF-TP W/LOCTITE PATCH	4



DESCRIPTION
ST-20/30 LATHE PARTS CATCHER

EFFECTIVE DATE
MARCH-2012

SAP DOC NO./VER: 1000006639/01