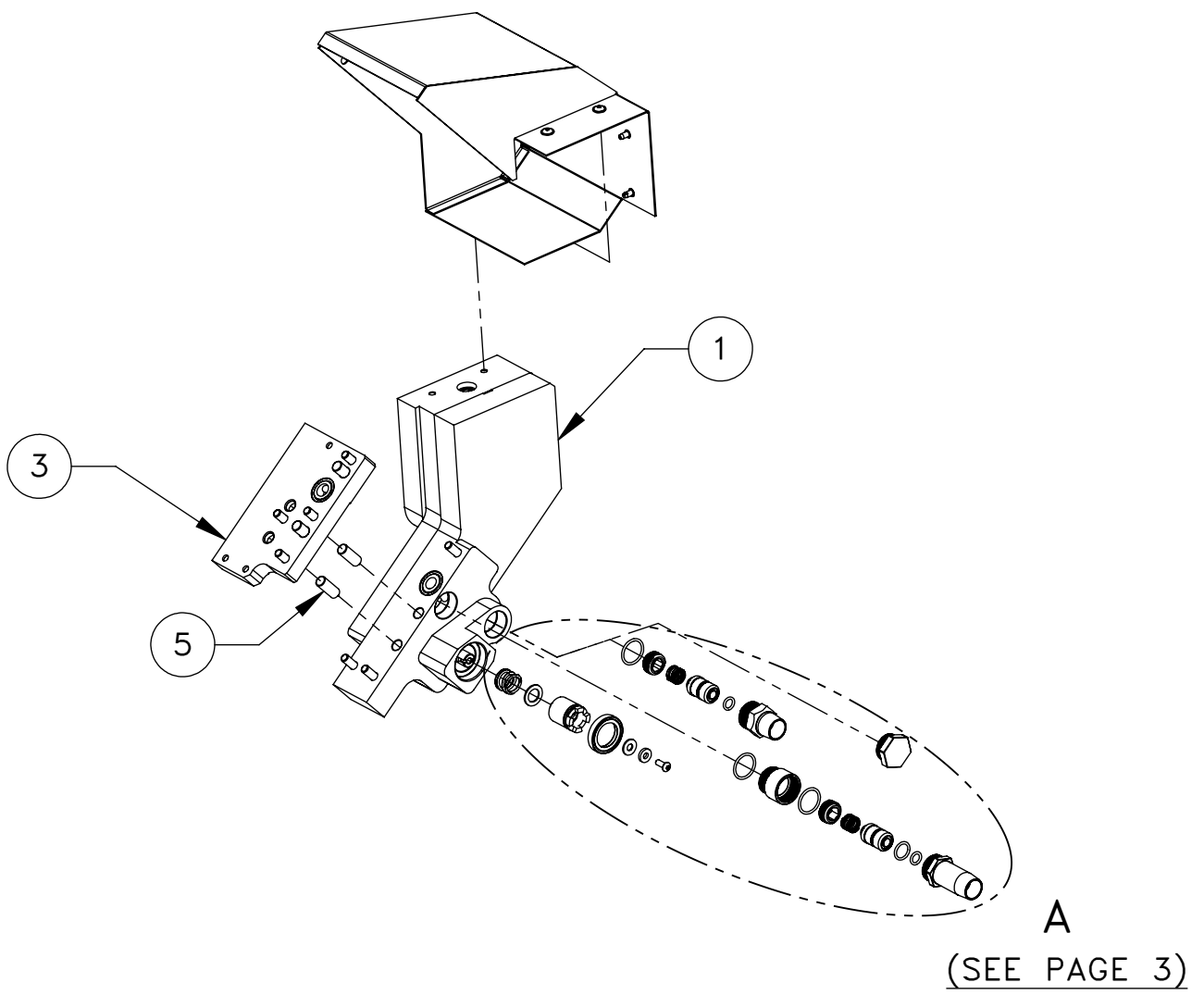


FRONT VIEW



BACK VIEW

ITEM NO.	DESCRIPTION	QTY.
1	HOUSING MACHINED ST GEARED LT	1
2	COVER MACHINED ST GEARED LT	1
3	SPACER ST10 LIVE DRIVE	1
4	COVER ST-10 LT GEARED LIVE DRIVE	1
5	DOWEL PIN 1/2 X 1-1/4	4

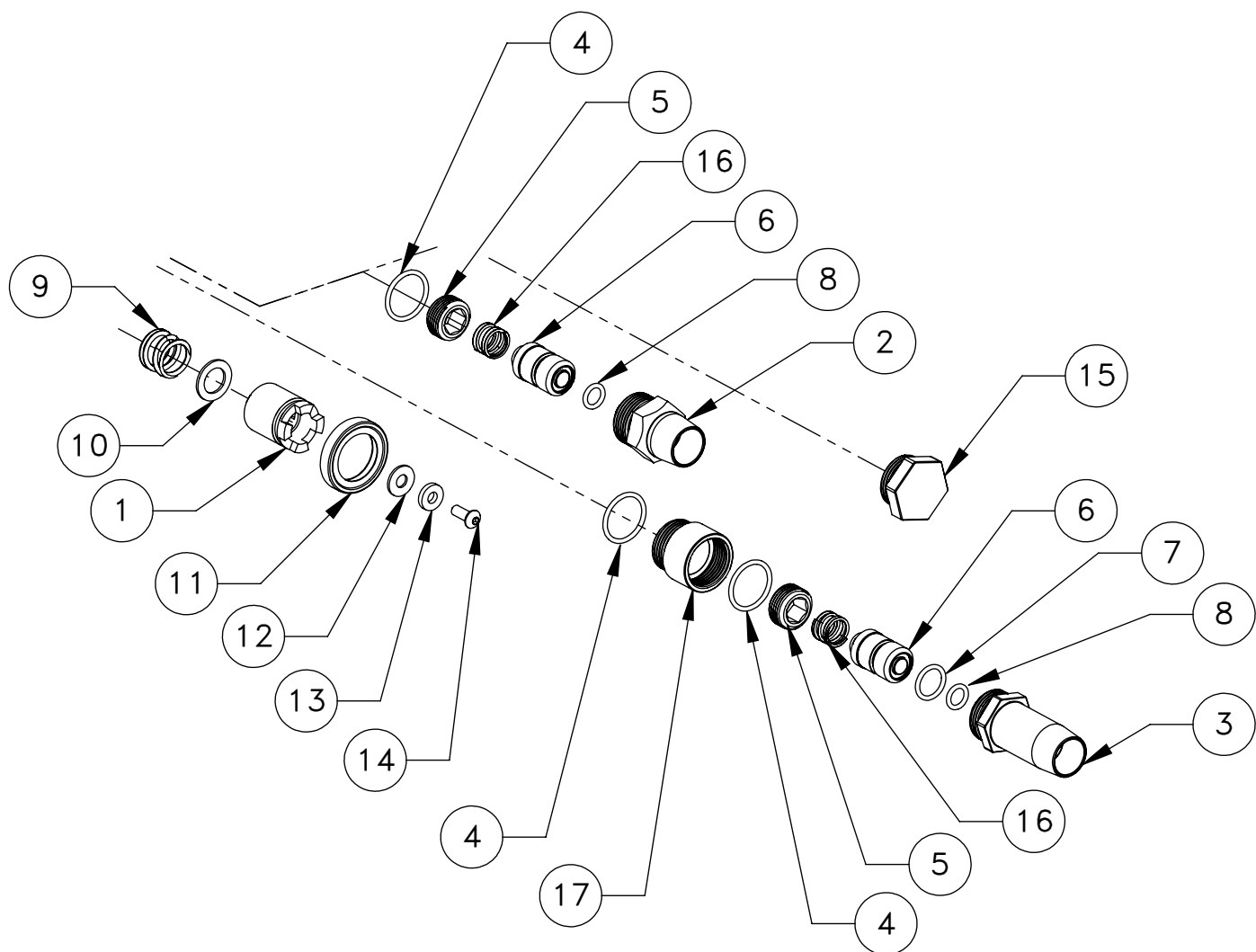
DESCRIPTION

ST-10 LIVE TOOL ASSEMBLY

EFFECTIVE DATE

MAR-2012

SAP DOC NO./VER: 1000006719/01



DETAIL A
SCALE 1 : 4

ITEM NO.	DESCRIPTION	QTY.
1	CASTLE DRIVE ST10 DRIVEN LT	1
2	NOZZLE HOUSING COOLANT ST	1
3	EXTENDED NOZZLE COOLANT	1
4	O-RING 2-122 BUNA	3
5	SSS HOLLOW 1"-12	2
6	NOZZLE OUTPUT COOLANT DOVETAIL	2
7	O-RING 2-115 BUNA	1
8	O-RING 2-111 VITON	2
9	SPRING COMPRESSION 72427S .975 OD X .88	1
10	WASHER 1.0 OD X .630 ID +.005/- .000 X .	1
11	SEAL 30MM CR11615 45 O.D.	1
12	WASHER 1/4 STEEL .060THK X .750	1
13	WASHER 1/4 HARD 1/4ID X 5/8OD X 1/8 TH	1
14	BHCS 1/4-20 X 5/8 W/LOCTITE	1
15	CAP COOLANT PORT LIVE DRIVE	1
16	SPRING COMPRESSION 71964S	2
17	SPACER ST10 COOLANT NOZZLE	1

SHEET 3 OF 3

DESCRIPTION

EFFECTIVE DATE

ST-10 LIVE TOOL ASSEMBLY

MAR-2012

SAP DOC NO./VER: 1000006719/01