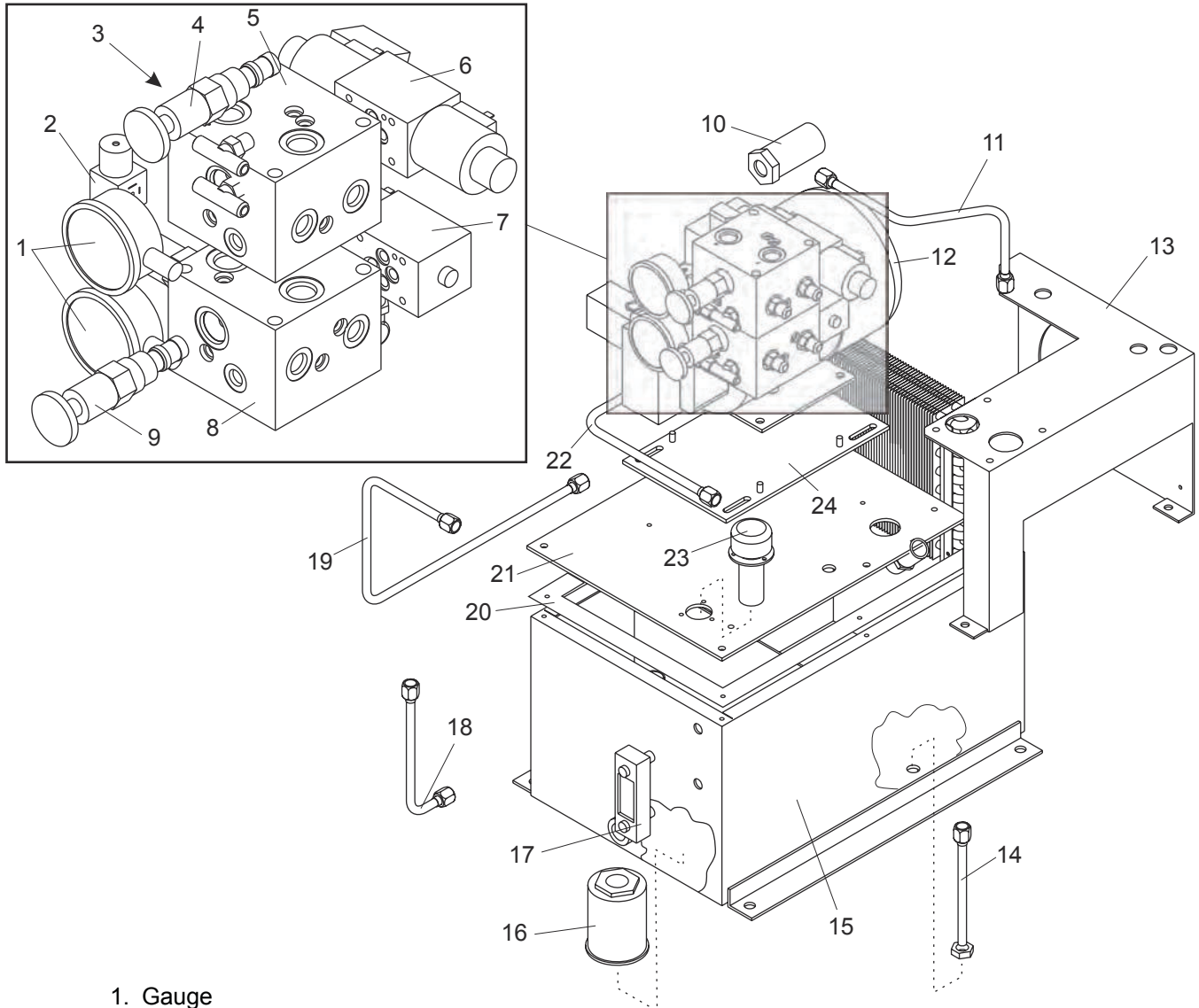




# SL - Hydraulic Power Unit



- 1. Gauge
- 2. Pressure Switch
- 3. Hydraulic Valve
- 4. Pressure Adjusting Valve
- 5. Valve Block (Tailstock)
- 6. Hydraulic Valve (Tailstock)
- 7. Hydraulic Valve (Chuck)
- 8. Valve Block (Chuck)
- 9. Pressure Adjusting Valve

- 10. In-Line Filter
- 11. Hydraulic Tube
- 12. Pump Motor
- 13. Valve Block Bracket
- 14. Hydraulic Tube
- 15. Reservoir
- 16. Suction Strainer
- 17. Level Sight Gauge
- 18. Hydraulic Tube Return
- 19. Hydraulic Tube Pressure
- 20. Reservoir Gasket
- 21. Reservoir Cover Plate
- 22. Hydraulic Tube Pressure
- 23. Filter Breather
- 24. Subplate Motor Mount