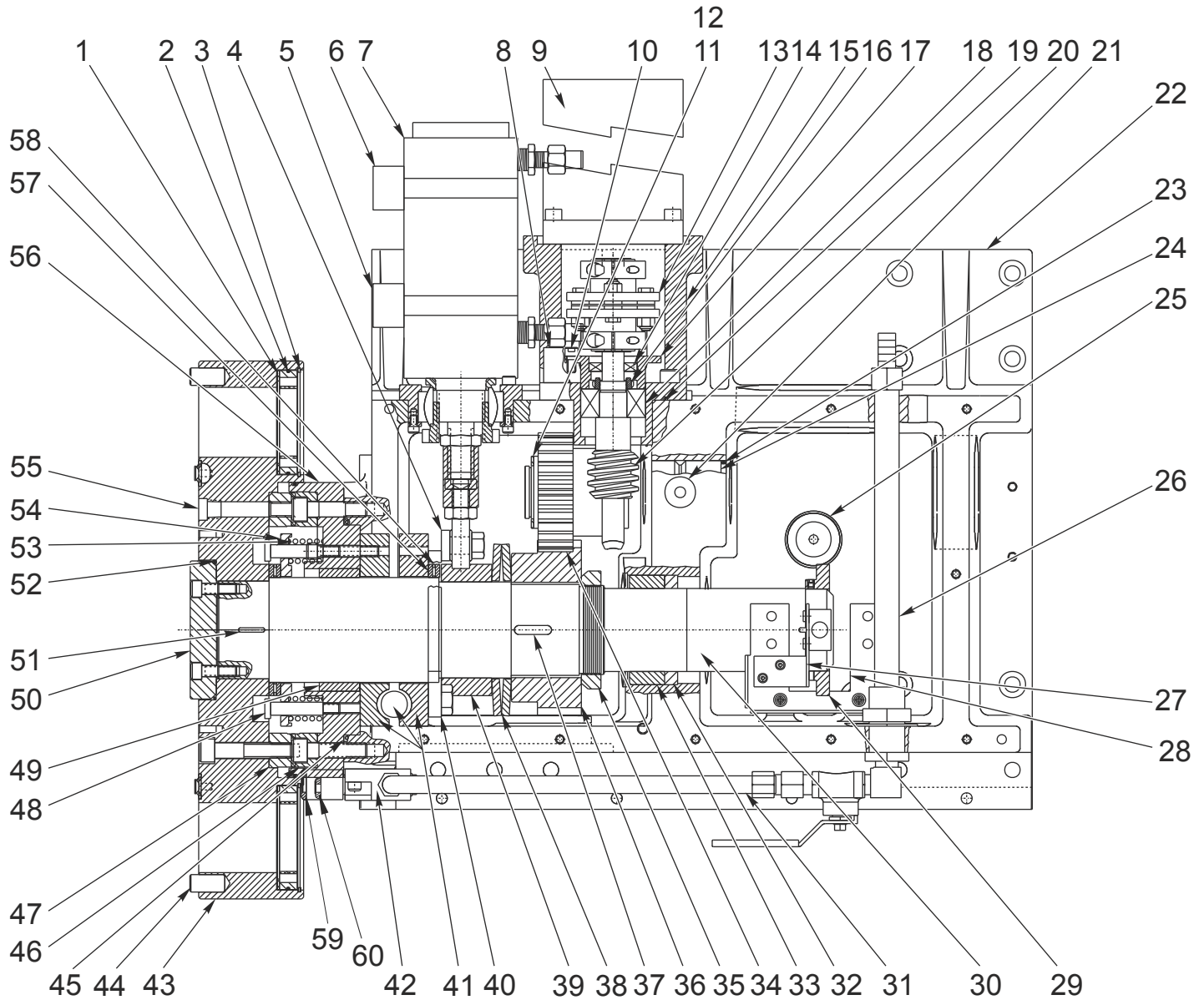




SL-20/20L - Tool Turret



1. Thrust washer TRB-3446
2. O-ring
3. Retaining Ring RR-300 (SL-20)
Retaining Ring (SL-20L)
4. Rod end spacer
5. Unclamp switch (SL-20)
Clamp/Unclamp Switch (SL-20L)
6. Clamp switch (SL-20)
7. Air Cylinder assembly
8. Spacer anti-rotate T/C
9. Motor
10. 1/4-20 x 1/2
11. Washer
12. Retaining Ring
13. Coupling assembly
14. Seal
15. Housing worm
16. Bearing locknut BH-04
17. Clamp bearing worm
18. Bearing
19. O-ring
20. Shaft worm
21. 5/16 steel ball
22. Turret housing
23. O-ring
24. Shaft transfer T/C
25. Retainer spring
26. Coolant line assembly
27. Home bracket
28. Switch bracket
29. Ring switch T/C
30. Shaft Turret T/C
31. Copper line
32. Seal
33. Bearing rear
34. Gear cluster T/C
35. Locknut
36. Gear spur T/C
37. Key gear spur T/C
38. Bellville washer
39. Spacer Bellville T/C
40. Lever cam T/C
41. Cam Turret T/C
42. Transfer housing
43. Turret T/C
44. Dowel pin 1/2 x 1
45. Seal CR29841
46. Coupling, turret female
47. Coupling, turret male
48. Shoulder bolt 3/8 x 1 1/2
49. Bushing and Seal
50. Retainer turret T/C
51. Key
52. O-ring
53. Spring, Turret Coupling
54. Retainer springs T/C
55. Pipe plug 1/4 NPT
56. Turret mounting coupling
57. Bearing thrust needle
58. Thrust washer TRD-4860
59. O-Ring 2-204 Buna
60. O-Ring 2-112 Buna