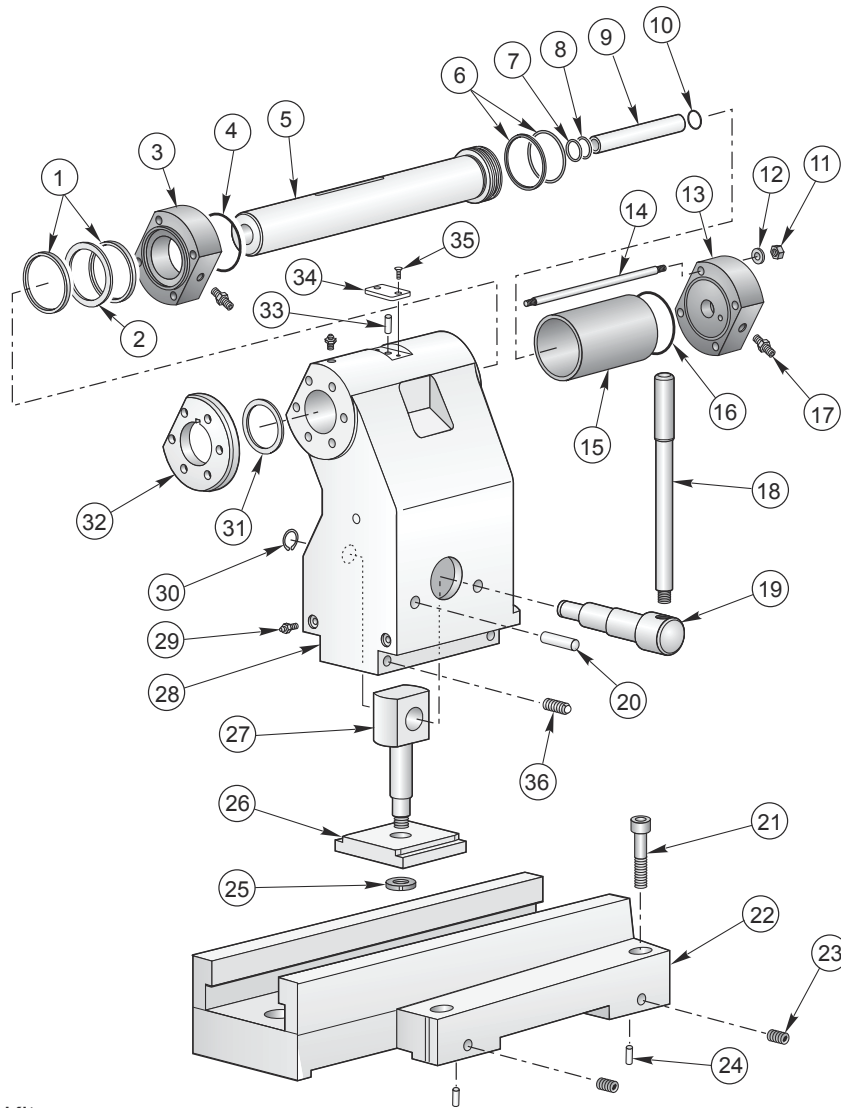




SL-10 - Tailstock



- | | |
|---------------------------|---|
| 1. Seal Kit | 20. 1/2 x 2 (2) |
| 2. Gland Retainer | 21. SHCS 5/8-11 x 2-1/4 (4) |
| 3. Cylinder Head | 22. TS Base Machining |
| 4. O-Ring | 23. SSS 1/2-13 Flat PT (2) |
| 5. Shaft | 24. Dowel Pin 1/2 x 2 (2) |
| 6. Hydraulic Piston Seal | 25. Bearing Locknut |
| 7. Quad Ring | 26. Clamp Plate |
| 8. Rod Seal | 27. Clamp Rod |
| 9. Knock-Out Tube | 28. TS Head Machining |
| 10. O-Ring | 29. Grease Fitting (6) |
| 11. Hex Nut 5/16-18 (4) | 30. Retaining Ring |
| 12. Split Lock Washer (4) | 31. Wiper |
| 13. End Cap | 32. Shaft Cap |
| 14. Tie Rod (4) | 33. Anti Rotation Pin |
| 15. Cylinder Tube | 34. Key Retainer
Key Retainer Gasket |
| 16. O-Ring | 35. 2X FHCS |
| 17. Str Adapter (2) | 36. SSS 3/8-16 X 1 (2) |
| 18. Handle | |
| 19. Eccentric Clamp | |