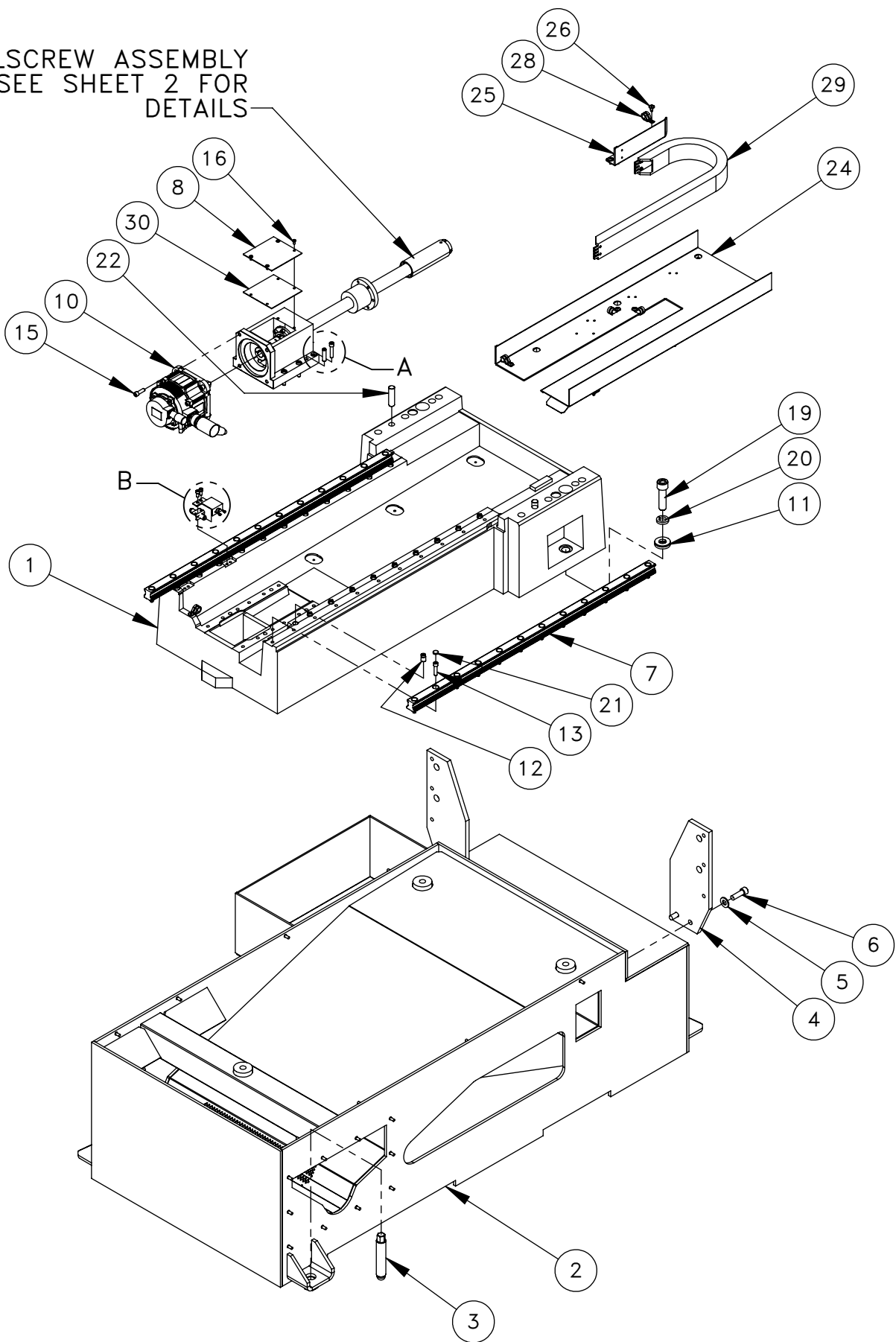
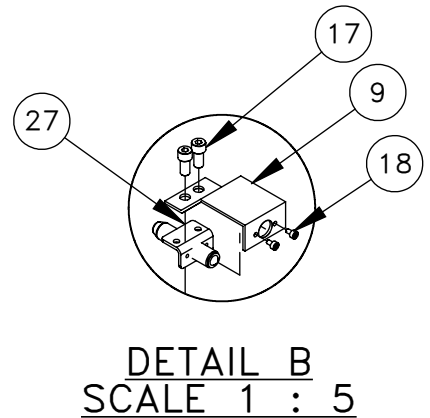
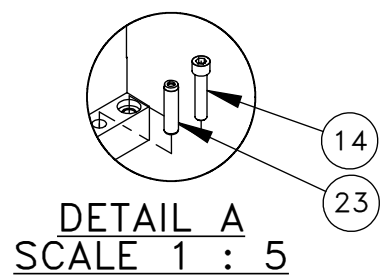


BALLSCREW ASSEMBLY
SEE SHEET 2 FOR
DETAILS



ITEM NO.	PART DESCRIPTION	QTY
1	MACHINING BED MINIMILL	1
2	MIMILL BASE WELDMENT	1
3	SSS 1-14 X 5 ROUND PT	4
4	SUPPORT LWR CNTRL MM/MM2	2
5	WASHER 1/2 HARD	4
6	SHCS 1/2-13 X 1 1/2 DOMESTIC ONLY	4
7	LINEAR GUIDE 30 X 910 FLANGED BLOCK	2
8	COVER PLATE MOTOR MOUNT	1
9	SENSOR MOUNT BRKT Y-AXIS MM/SMM/DT	1
10	SRVOMTR YASK SIGMA-5 09 W/O BRAKE	1
11	SPHERICAL WASHER 3/4 TWO PIECE SET	3
12	CAM LINEAR GUIDE	21
13	SHCS 5/16-18 X 1 1/4 DOMESTIC ONLY	24
14	SHCS 5/16-18 X 1 1/2 DOMESTIC ONLY	6
15	SHCS 5/16-18 X 1 DOMESTIC ONLY	4
16	BHCS 10-32 X 3/8	6
17	SHCS 1/4-20 X 1/2 ZINC PLATED	2
18	SHCS M3 X 5	2
19	SHCS 3/4-10 X 2 3/4 DOMESTIC ONLY	3
20	WASHER 3/4 SPLT LOCK PLT MED	3
21	PLUG GUIDE RAIL .551 OD X .118 THICK RU	24
22	DOWEL PIN 5/8 X 2 1/4	2
23	DOWEL PIN 3/8 X 1 1/2 PULL	2
24	MM Y-AXIS CBL CARRIER TRAY	1
25	MM Y-AXIS CBL CARRIER BED MNT BRKT	1
26	FBHCS 1/4-20 X 1/2 SLF-TPW/LOCTITE PTCH	14
27	PROX SW NC 3 WIRE 3.5' W/CONN	1
28	CABLE CLAMP 5/8 ZN PLT STEEL W/	5
29	CBL CARRIER Y AXIS VMC-M	1
30	GASKET COVER PLATE MOTOR MOUNT	1

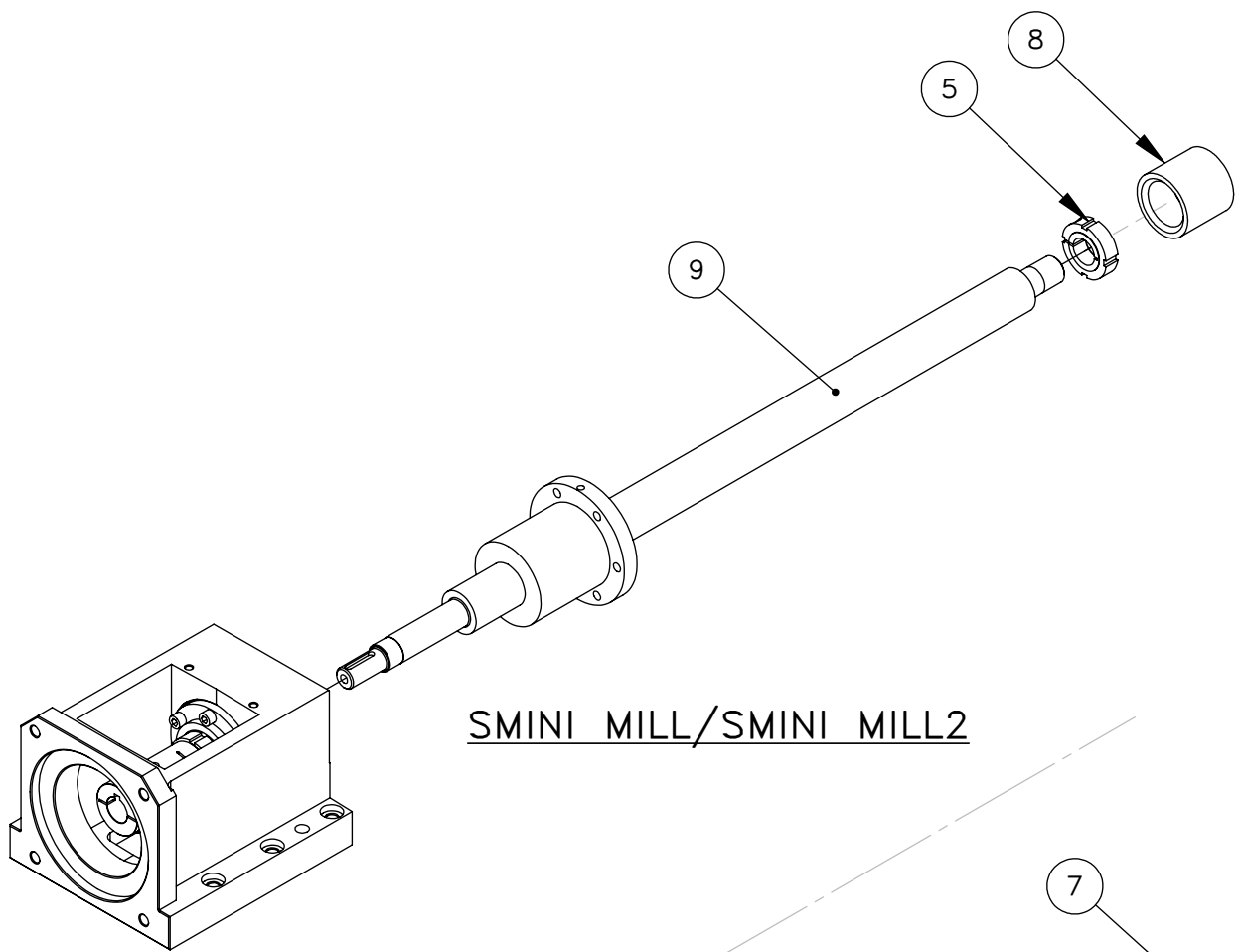


SHEET 1 OF 2

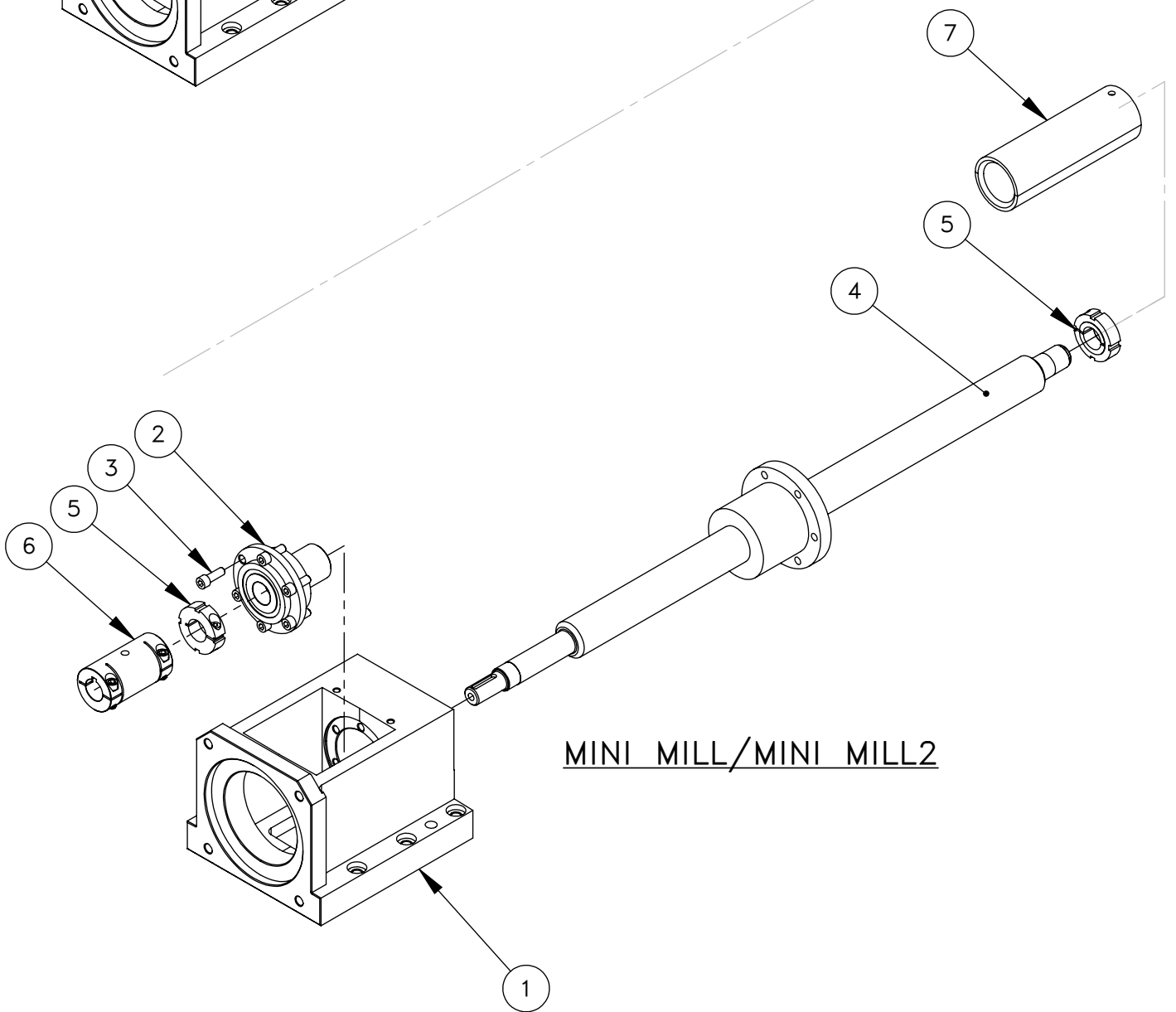
DESCRIPTION
MINI MILL/2 BASE ASSEMBLY

EFFECTIVE DATE
JULY-2014

SAP DOC NO./VER: 1000037235/01



SMINI MILL/SMINI MILL2



MINI MILL/MINI MILL2

NOTES:

1. ITEM 1 TRHU 6 SAME FOR MINI MILL ANS SMINI MILL

ITEM NO.	PART DESCRIPTION	QTY.
1	MACHINING MOTOR MOUNT, 32MM BSCREW	1
2	THRUST BEARING CARTRIDGE 32MM BSCREW	1
3	SHCS 1/4-20 X 3/4 W/PATCHZINC PLATED	6
4	BSCREW 32-6-669.2	1
5	BEARING LOCKNUT N-04-F	2
6	SOLID COUPLING 19MM/.625	1
7	BUMPER Y-AXIS MINIMILL	1
8	BUMPER X-AXIS MINIMILL 1.70	1
9	BSCREW 32-10-669.2	1

SHEET 2 OF 2

DESCRIPTION
MINI MILL/2 BASE ASSEMBLY

EFFECTIVE DATE
JULY-2014

SAP DOC NO./VER: 1000037235/01