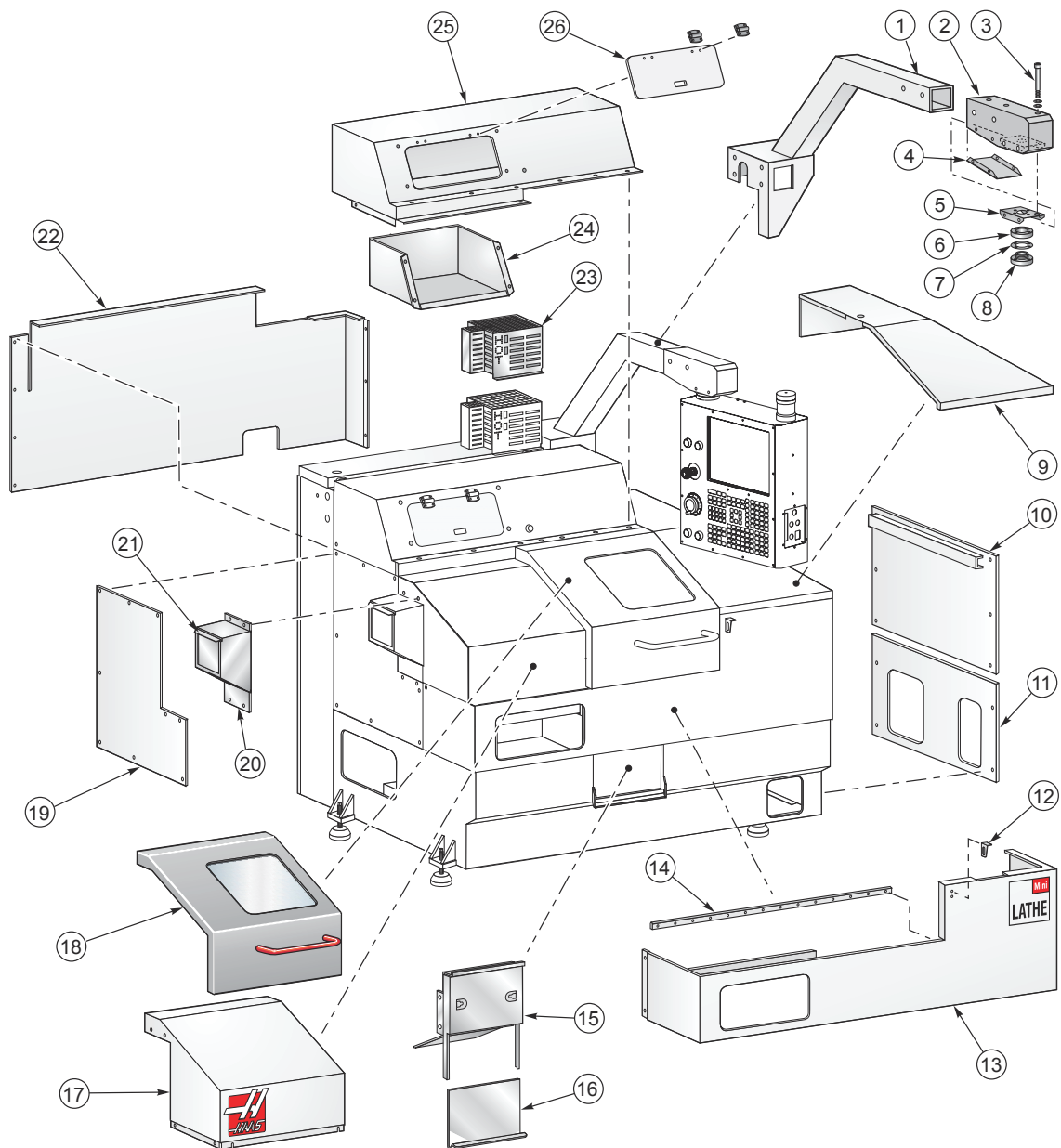




Mini Lathe - External Enclosure



- 1. Pendant Arm
- 2. Pendant Arm Knuckle
- 3. Leveling SHCS
- 4. Knuckle Cover
- 5. Knuckle Swivel Plate
- 6. Pendant Arm Mount
- 7. Wavy Washer
- 8. Pendant Mount
- 9. Top Right Cover
- 10. Right End Panel
- 11. Lube Cover
- 12. Air Hose Bracket
- 13. Front Skirt

- 14. Door V-Track
- 15. Chip Tray Door Bracket
- 16. Chip Tray Door
- 17. Spindle Cover
- 18. Door Assembly
- 19. Left End Panel
- 20. Coolant Collector
- 21. Coolant Collector Door
- 22. Back Panel
- 23. Regen Cover
- 24. Toolbox
- 25. Top Hat
- 26. Toolbox Door