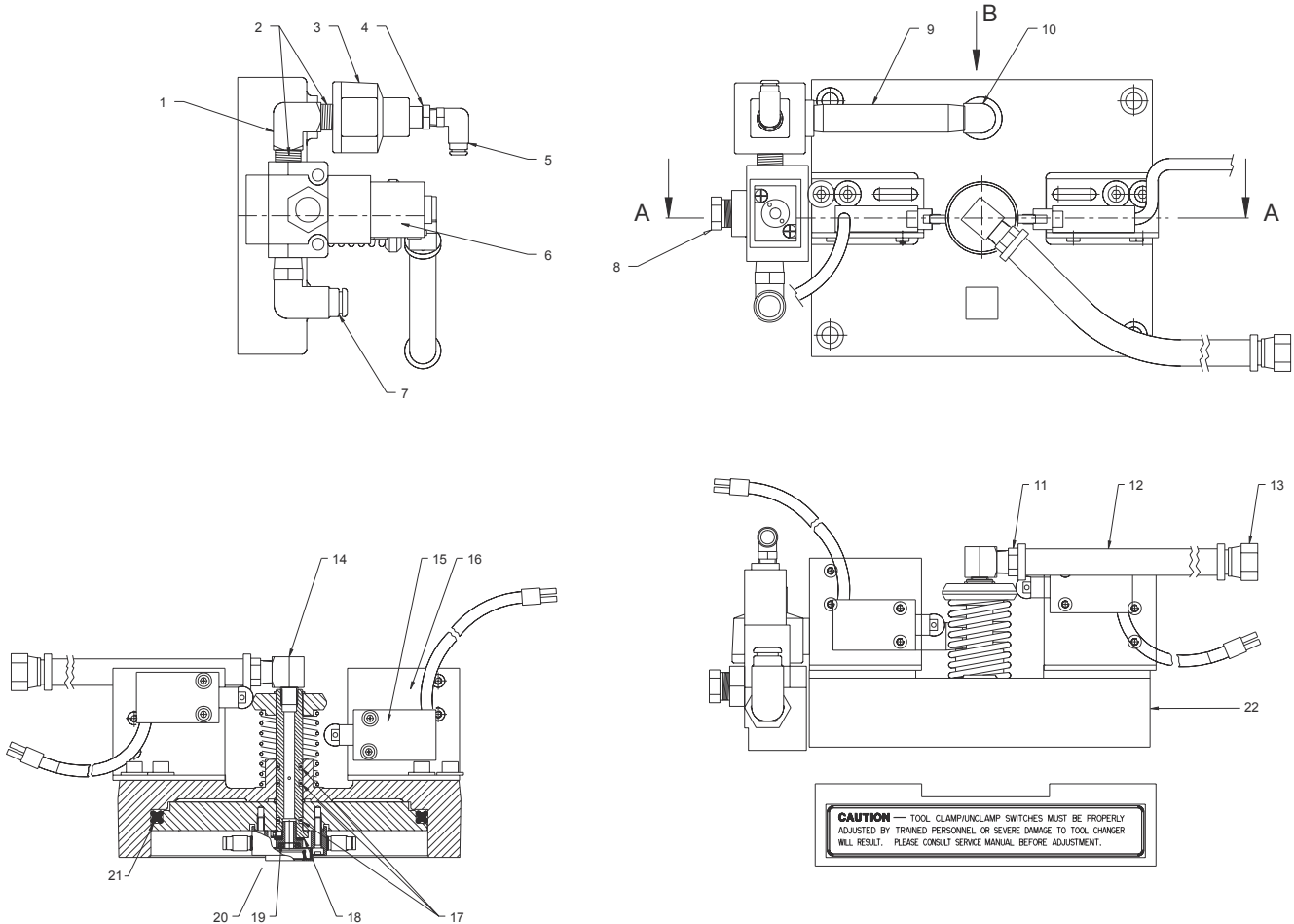




HS-1RP - Tool Release Piston - TSCHP



CAUTION — TOOL CLAMP/UNCLAMP SWITCHES MUST BE PROPERLY ADJUSTED BY TRAINED PERSONNEL OR SEVERE DAMAGE TO TOOL CHANGER WILL RESULT. PLEASE CONSULT SERVICE MANUAL BEFORE ADJUSTMENT.

- 1. 90 deg 1/4 NPT elbow
- 2. Fitting close nipple 1/4 112 A-B
- 3. Quick exhaust 1/4
- 4. 1/4 NPT M-18F reducer
- 5. 1/4 NPT M-3/8 tube swivel elbow
- 6. TRP solenoid valve assembly
- 7. 1/4 NPT M-3/8 tube-svl elbow
- 8. Air muffler 3/8 flat
- 9. Nipple BR 1/4 NPT x 4 1/2
- 10. 1/4 street elbow 90 deg

- 11. Hose barb 3/8 PL-1/4 MP
- 12. Hose 3/8 ID pushloc 300psi
- 13. Hose barb 3/8 PL-3/8SAE-F
- 14. 1/4 street elbow, 90deg
- 15. Limit Switch shuttle in/out 24"
- 16. Switch mount tool release
- 17. O-ring 2-111 buna
- 18. Washer, shim 3/8, .010 thick
- 19. Coolant tip carb. threaded
- 20. Seal housing assembly. TSC-HA
- 21. Quad-ring Q4-440 buna
- 22. Base