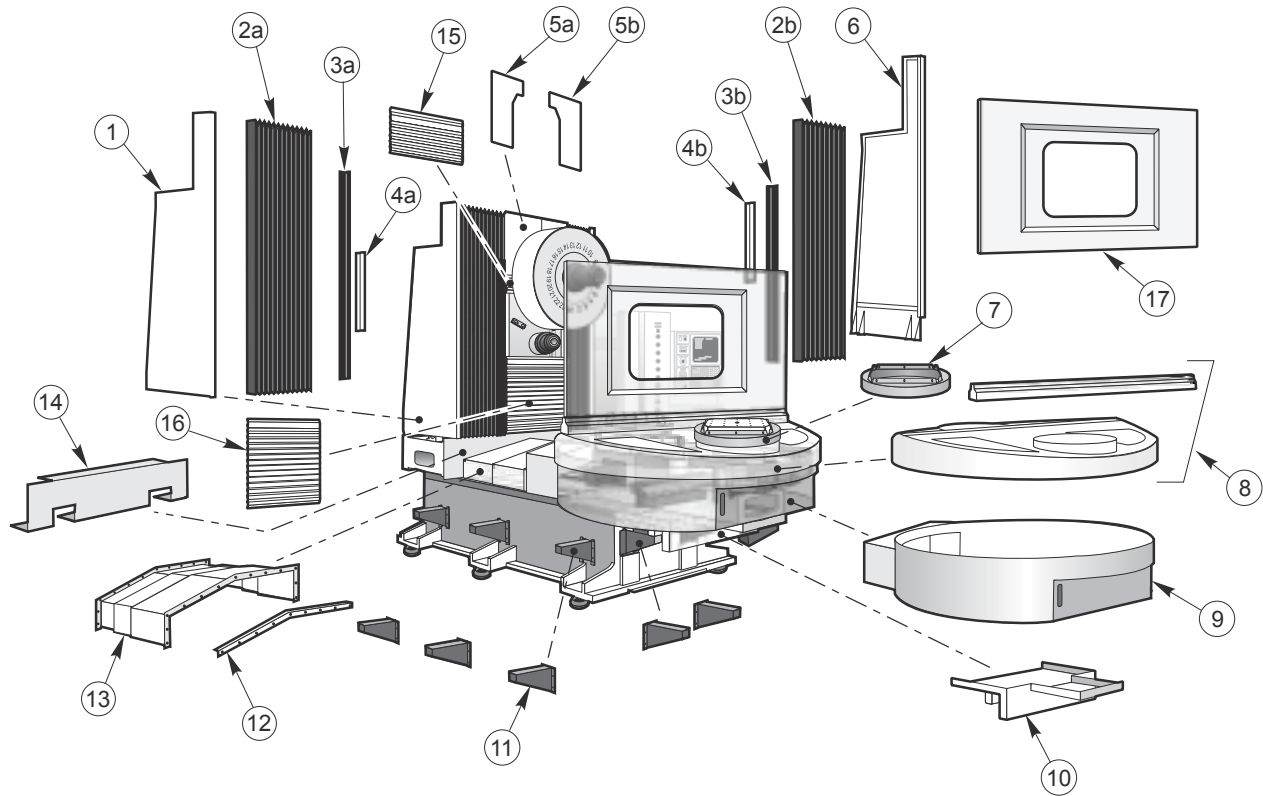




HS-1RP - Internal Enclosure



- | | | | |
|-----|-----------------------------|-----|----------------------|
| 1. | X-Way Bellows Support | 8. | Rotary Top Cover |
| 2a. | X-Waycover Bellows (left) | 9. | Rotary Cover |
| 2b. | X-Waycover Bellows (right) | 10. | Intermediate Pan |
| 3a. | Left Y-axis Waycover Guide | 11. | Front Brace Pan |
| 3b. | Right Y-axis Waycover Guide | 12. | Z-axis Gasket Guard |
| 4a. | Left Y-axis Waycover Guide | 13. | Z-axis Waycover |
| 4b. | Right Y-axis Waycover Guide | 14. | Saddle Cover |
| 5. | Upper X-axis Bellows | 15. | Upper Y-axis Bellows |
| 6. | Lower X-Way Bellows Guide | 16. | Lower Y-axis Bellows |
| 7. | Shroud Pallet | 17. | Rotating Door |