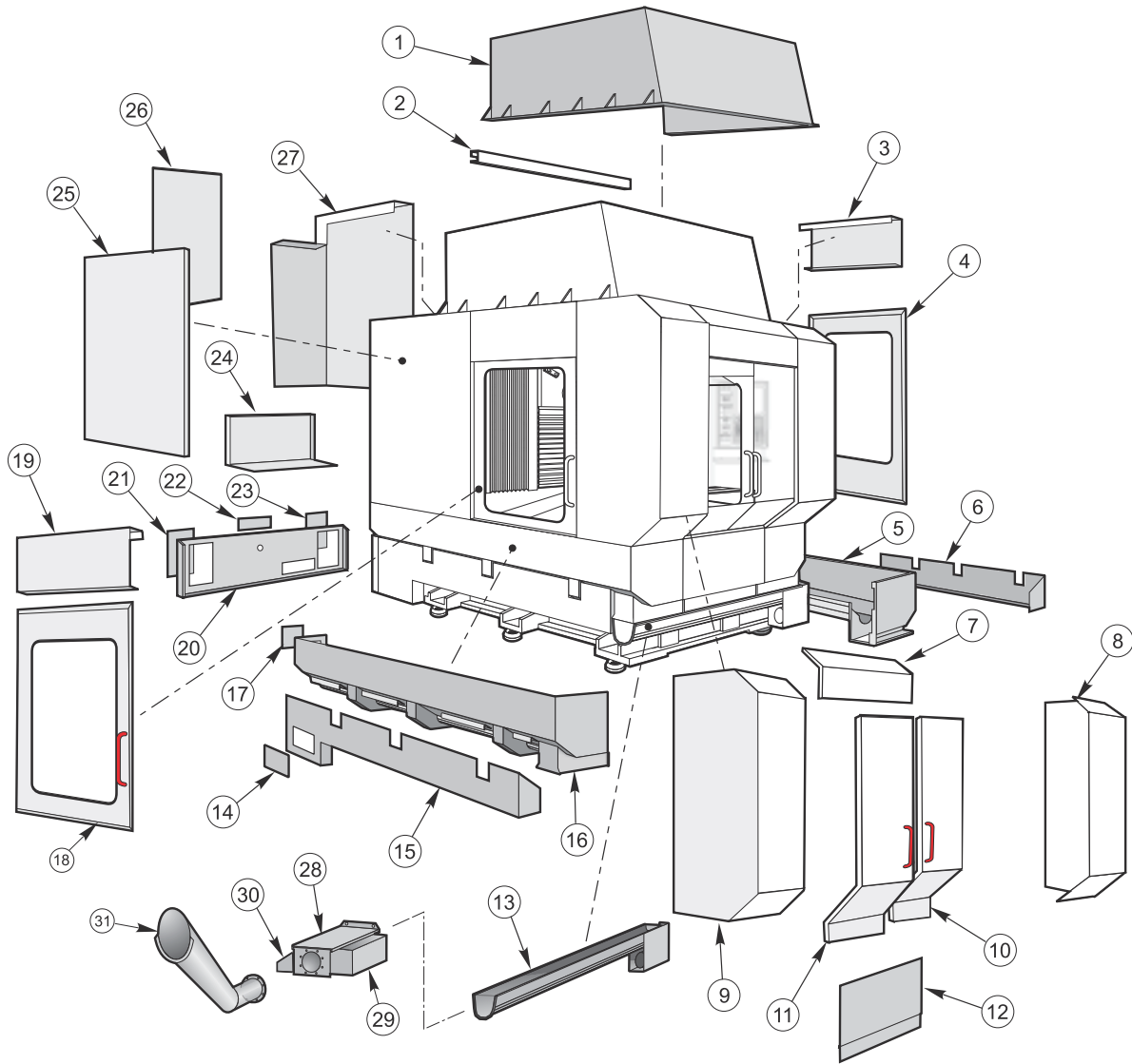




HS-1 - External Enclosure



- | | | | |
|-----|----------------------|-----|--------------------------------|
| 1. | Top Cover | 17. | Access Panel |
| 2. | Upper Bellow Guide | 18. | Side Door |
| 3. | Header Panel, Side | 19. | Header Panel, Side |
| 4. | Door | 20. | Rear Apron |
| 5. | Right Side Pan | 21. | Access Panel |
| 6. | Left Apron | 22. | Access Panel |
| 7. | Header Panel, Front | 23. | Access Panel |
| 8. | Right Front Panel | 24. | Rear Pan |
| 9. | Left Front Panel | 25. | Left Side Panel |
| 10. | Right Front Door | 26. | Rear Panel |
| 11. | Left Front Door | 27. | Right Side Panel |
| 12. | Front Pan | 28. | Chip Trough Extension
Cover |
| 13. | Front Coolant Trough | 29. | Chip Trough Extension |
| 14. | Aprons Access Cover | 30. | Chip Strainer |
| 15. | Right Apron | 31. | Discharge Chute |
| 16. | Left Side Pan | | |