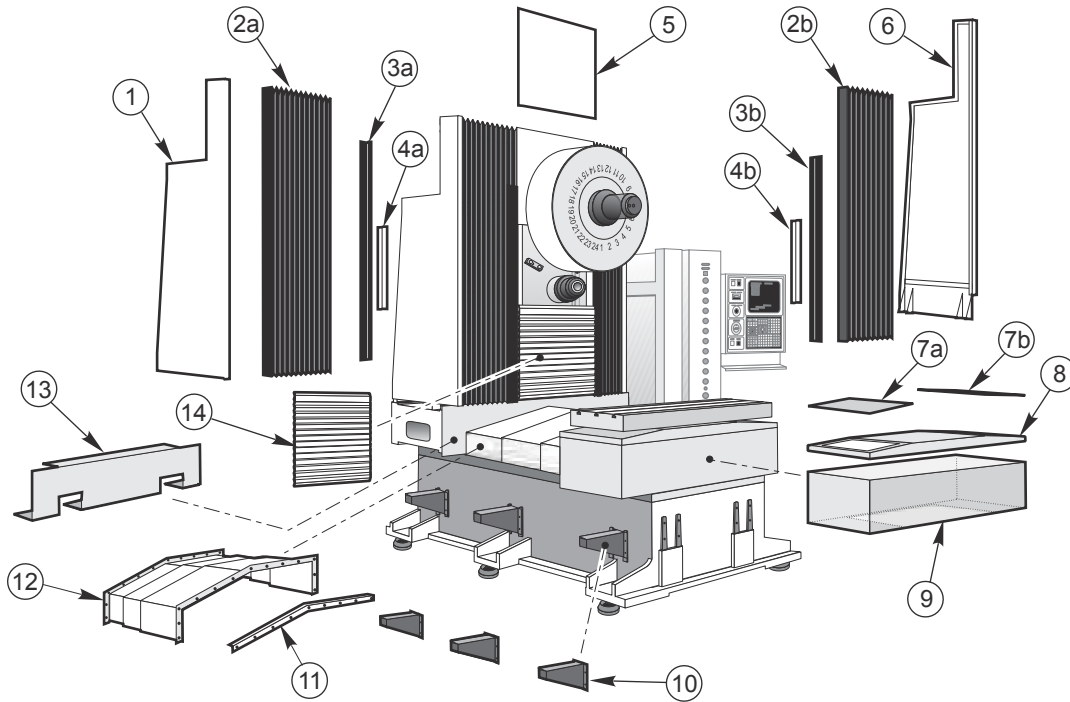




# HS-15AXT - Internal Enclosure



- |     |                             |     |                           |
|-----|-----------------------------|-----|---------------------------|
| 1.  | Left X-Way Bellows Support  | 7a. | Top Access Cover          |
| 2a. | X-Waycover Bellows          | 7b. | Top Access Cover          |
| 2b. | X-Waycover Bellows          | 8.  | Rotary Table Top Cover    |
| 3a. | Left Y-axis Waycover Guide  | 9.  | Rotary Table Bottom Cover |
| 3b. | Right Y-axis Waycover Guide | 10. | Front Brace Pan           |
| 4a. | Y-axis Chip Guard           | 11. | Z-axis Gasket Guide       |
| 4b. | Y-axis Chip Guard           | 12. | Z-axis Waycover           |
| 5.  | Upper Y-Axis Bellows        | 13. | Saddle Cover              |
| 6.  | Right X-Way Bellows Support | 14. | Lower Y-axis Bellows      |