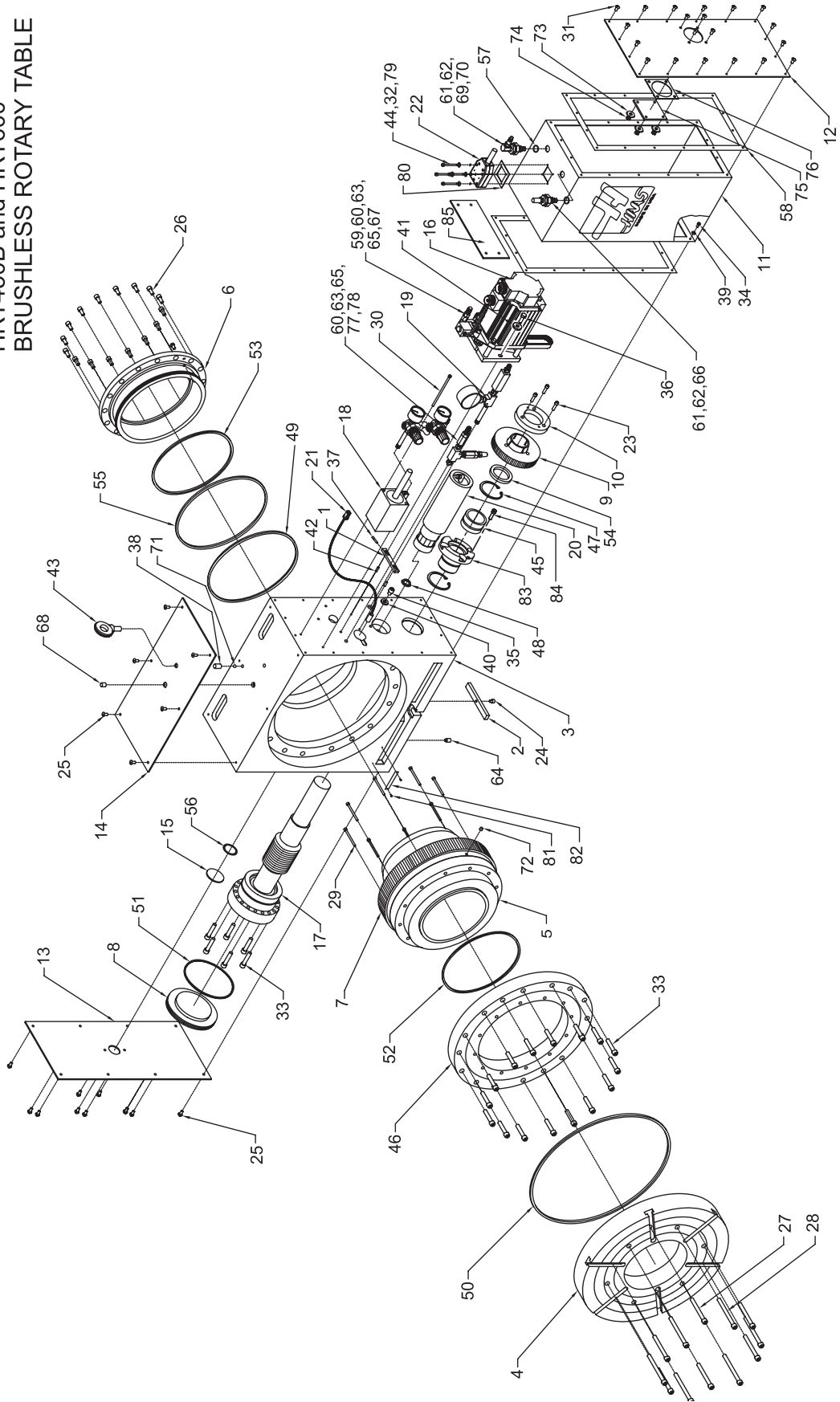




HRT 450/600 Rotary Table

HRT450B and HRT600 BRUSHLESS ROTARY TABLE





HRT 450/600 Rotary Table

ID	QTY	DESCRIPTION
1	1	MOTOR SPACER
2	1	KEY BODY
3	1	BODY MACHINED 450mm RT
4	1	PLATTER (HRT600: 20-4487)
5	1	SPINDLE
6	1	FLEX BRAKE
7	1	WORM GEAR
8	1	HOUSING COVER
9	1	PULLEY DRIVEN 450-78T
10	1	LOCKRING
11	1	MOTOR ENCLOSURE
12	1	ENCLOSURE COVER
13	1	SIDE COVER (HRT600: 25-4836)
14	1	TOP COVER (HRT600: 25-4834)
15	1	OIL SIGHT GLASS
16	1	MOTOR SYSTEM ASSY 450MM B
17	1	WORM SHAFT ASSY
18	1	ACCUMULATOR ASSY
19	1	CHECK VALVE ASSY
20	1	HYDRAULIC CYLINDER ASSY
21	1	HOME SWITCH ASSY WP
22	1	CBL BL ALUM J-BOX 18.5'
23	3	SHCS 1/4-20 X 1
24	1	SHCS 1/4-20 X 5/16
25	16	BHCS 1/4-20 X 1/2
26	16	SHCS 5/16-18 X 3/4
27	6	SHCS 3/8-16 X 3 1/4
28	6	SHCS 3/8-16 X 4
29	8	SHCS 1/4-20 X 2 1/2
30	2	SHCS 1/4-20 X 4 1/2
31	16	BHCS 10-32 X 3/8
32	4	SHCS 8-32 X 2
33	20	SHCS 3/8-16 X 1 3/4
34	16	SHCS 1/4-20 X 1 1/2
35	1	SHCS 3/8-16 X 1/2
36	3	HHB 5/16-18 X 7/8
37	1	SSS 8-32 X 1 FULL DOG
38	1	SSS 1/2-13 X 3/4 FULL DOG
39	16	WASHER 1/4 FLAT SAE PLT
40	1	WASHER 3/8 HARD
41	3	WASHER 5/16 FLAT A325
42	2	DOWEL PIN 3/16 X 5/8
43	1	EYE BOLT 1/2-13 X 7/8
44	4	WASHER FLAT
45	1	NEEDLE ROLLER
46	1	BRNG CROSS ROLLER
47	2	RETAINING RING N5000-244
48	1	O-RING 2-210 VITON
49	1	O-RING 2-275 V-1164-75
50	1	O-RING 2-384 V-1164-75 O-ing / 57-4494 teflon seal
51	1	O-RING 2-162 VITON
52	1	O-RING 2-270 VITON
53	1	O-RING 2-373 V-1164-75
54	1	SEAL CR19606
55	1	O-RING 2-276 V-1164-75
56	1	O-RING 2-130 BUNA
57	2	GASKET AIR FITTINGS

ID	QTY	DESCRIPTION
58	2	GASKET ENCLOSURE COVER
59	2	MALE ELBOW 1/8 MALE TO MALE
60	4	1/8 AIR FITTING STRAIGHT
61	2	1/4 MPT X 1/4 POLYLINE
62	2	1/4 NPT ANCHOR FITTING
63	2	BRANCH T MALE W/1 MALE
64	1	MAGNETIC OIL PLUG 1/4-18
65	4	CHECK VALVE 1/8 X 1/8 FEM
66	1	AIR MUFFLER 1/4 NPT
67	1	90DEG FITTING 1/8-1/4 NPT
68	1	PIPE PLUG 1/4 NPT
69	1	1/4 STREET ELBOW 90DEG
70	1	QUICK RELEASE FTG-MALE
71	1	3/8" STEEL BALLS
72	1	MAGNET MICROSWITCH
73	4	WASHER 1/4 FENDER PLT
74	4	NUT 1/4-20 HEX BLK
75	1	SIGHT GLASS PRESS GAUGE
76	1	GASKET, SIGHT GLASS
77	1	AIR MUFFLER CENTERED
78	2	1/8X1/8 MALE HEX JOINT
79	4	O-RING 2-007 VITON
80	1	J-BOX GASKET SQUARE
81	2	MC DR SCREW 2 X 1/4 RD
82	1	NAMEPLATE LASER
83	1	HOUSING, DUAL ECC
84	4	SHCS 5/16-18 x 3/4
85	1	SIDE cvR MOTOR (HRT600 only)

ID	QTY	DESCRIPTION
17.1	1	WORM SHAFT
17.2	1	BEARING HOUSING
17.3	1	HOUSING NUT
17.4	1	BEARING ANG CONTACT
17.5	1	BEARHUG LOCKNUT BH-09
17.6	1	HOUSING, DUAL ECC

ID	QTY	DESCRIPTION
19.1	1	1/4 NPT X 1/4 POLYLINE
19.2	1	HYD HEX NIPPLE 1/4 NPT
19.3	1	DRY GUAGE 2000PSI 1/4NPT
19.4	1	HYDRAULIC CHECK VALVE
19.5	1	1/4 NPT FEMALE T
19.6	1	NIPPLE 1/4 NPT X 2 SST

ID	QTY	DESCRIPTION
18.1	2	1/8-27 PIPE PLUG
18.2	2	1/8X1/8 MALE HEX JOINT
18.3	1	STREET ELBOW 1/8 INCH
18.4	1	LONG NIPPLE 1/8-27 X 3 BRASS
18.5	2	AIR PRESSURE GUAGE
18.6	2	AIR REGULATOR
18.7	3	90DEG FITTING 1/8-1/4 NPT
18.8	1	FEMALE BRANCH T 1/8NPT
18.9	1	AIR CYLINDER QJ92-1673