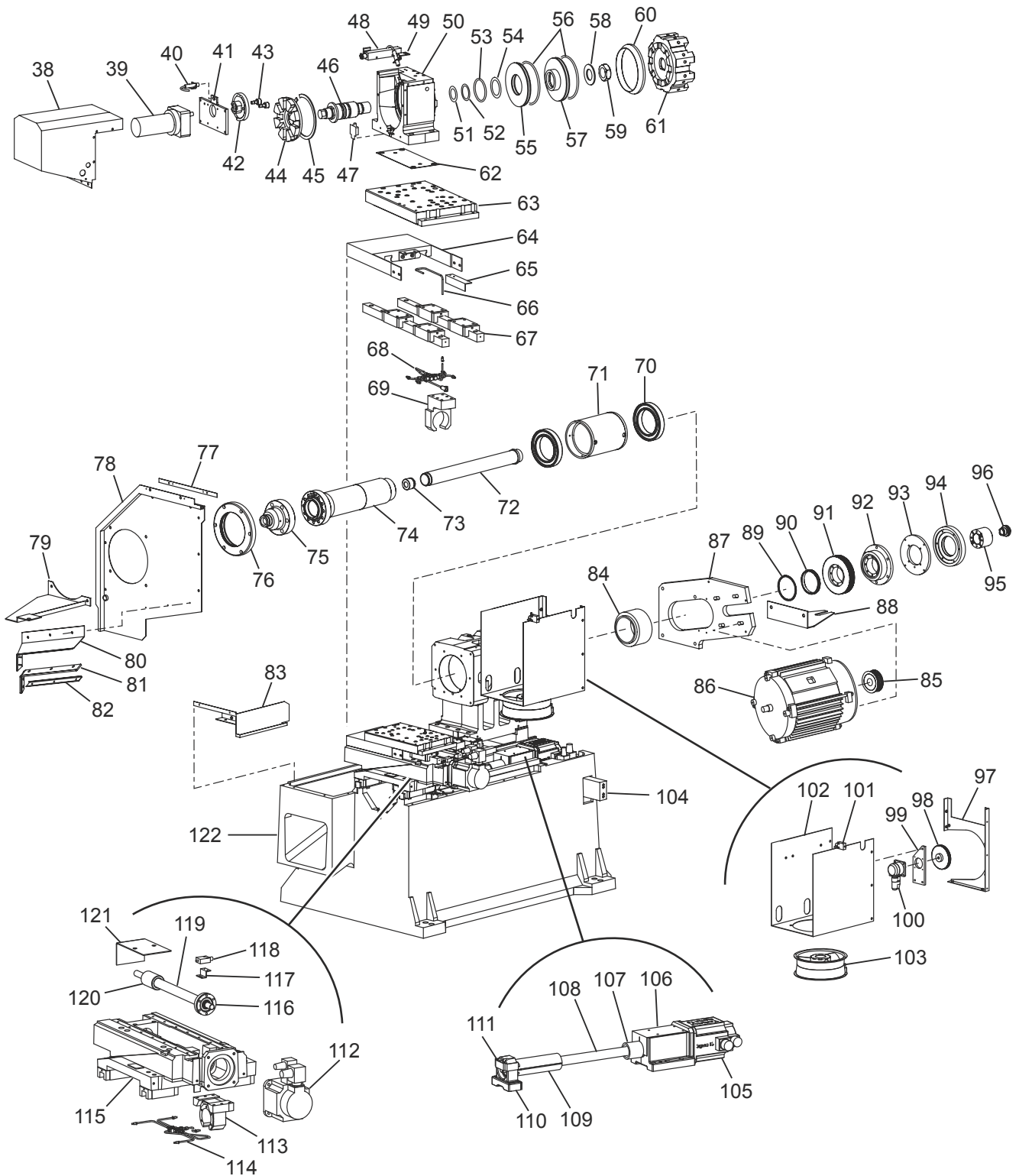




# GT-20 - Internal Enclosure



38. TT-20-3 TC Housing Cover
39. Geneva Drive Motor
40. Proximity Switch
41. Motor Bracket
42. Geneva Driver 2 Pin
43. 2X Cam Follower .75 in. Hex,
44. Geneva Flower
45. Retaining Ring 6.000 in. HO
46. Piston Shaft
47. Proximity Switch Bracket  
Proximity Switch
48. Coolant Block  
Reducer NPT .375-M x .250 in.-F  
Pipe Plug .375 in. Hex Socket  
4X Loc-Line Valves .25 in.
49. Proximity Switch Bracket - Unclamp  
Proximity Switch
50. TC Housing Machined
51. O-Ring 2-327
52. Retaining Ring
53. O-Ring 2-336
54. Thrust Washer TRB-3446
55. TC Lower Piston
56. 2X O-Ring 2-358
57. TC Upper Piston
58. Washer 3.000 OD x 1.625 ID x .153 in. Thick
59. Jam Nut 1.50-6 x .812 Max Height
60. TC Turret Seal
61. TC Turret
62. Gasket
63. Cross Slide
64. X-Axis Upper Front Waycover
65. X-Axis Switch Flag
66. X-Axis Nut Feed Line
67. 2X X-Axis Linear Guide 30 x 550 in.
68. X-Axis Lube Line Assy
69. X-Axis Nut Mount
70. 2X R Bearing Ang Dup M120-180-28
71. Spindle Bearing Spacer
72. Drawtube Hyd8
73. Liner Retainer Ring
74. Spindle Shaft
75. 5C Collet Nose
76. Spindle Retainer Ring
77. Top Door Wiper Retainer
78. Fixed Bulkhead
79. Shipping Bracket
80. Z-Axis Wiper Mount
81. Z-Axis Wiper
82. Z-Axis Upper Retainer  
Z-Axis Lower Retainer
83. Right Trough Splash Tray
84. Spindle Ring Clamp
85. Sprocket GT 8M-36-20  
2X GT Sprocket Flange 8M-36-20
86. Spindle Motor
87. Motor Mounting Plate
88. Anti Rotation Bracket
89. Flange Timing Pulley
90. Spindle Timing Pulley
91. Sprocket GT 8M-72-20
92. Chuck CLS Cylinder Adaptor
93. Chip Collector Adaptor Kit
94. Chip Collector Adaptor LMC
95. Liner 2 in. Guide
96. Spindle Liner .25 - 1.00 in. dia.
97. Outer Fan Shroud
98. Cylinder Mount AAC
99. Encoder Mounting Plate
100. Encoder 2K M23 Short
101. Latch Spring  
Proximity Switch
102. Inner Fan Shroud
103. Spindle Fan Assy
104. Control Mount Brace
105. Servo Motor - Yaskawa 13 No Brake  
Motor Mount Cover
106. Motor Mount Machined
107. Z-Axis Bumper
108. Ballscrew 32-10-800
109. Ballscrew Bumper 7.25 in.
110. Bearing Housing Machined  
Radial Bearing 304PP
111. Bumper Bracket
112. Servo Motor - Yaskawa 05 No Brake
113. X-Axis Nut Housing
114. Z-Axis Lube Line Assy
115. Saddle Machined  
Z-Axis Support Bumper
116. Bearing Race Adaptor 52mm  
Radial Bearing 205PP
117. X-Axis Proximity Switch Mount
118. Proximity Switch
119. X-Axis Ballscrew 32-10-524
120. X-Axis Support Bumper
121. X-Axis Lower Front Waycover
122. Base Machined