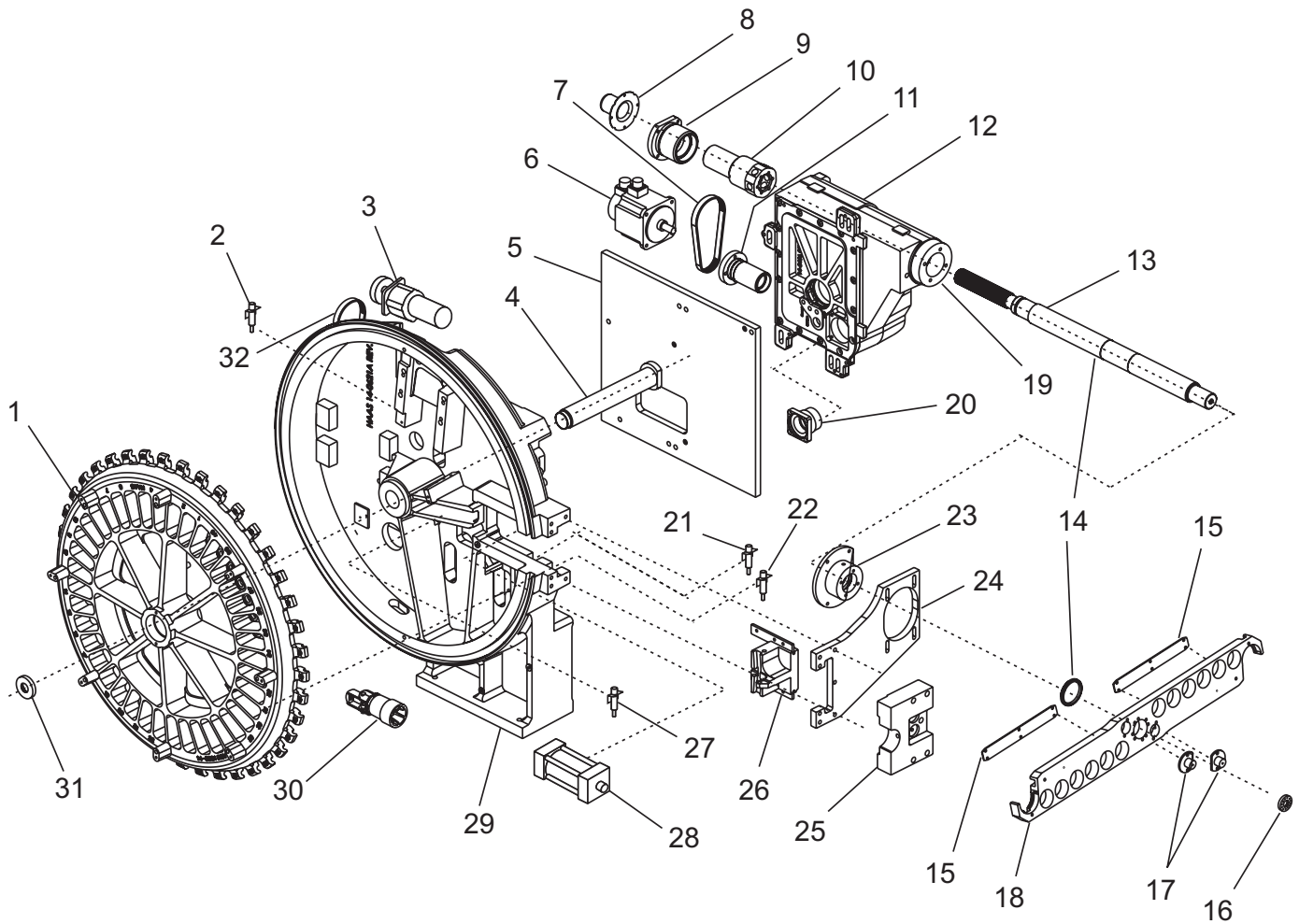




EC-SMTC 40 Pocket 40 Taper



- | | |
|-------------------------|---------------------------|
| 1. Carousel | 17. Arm Cap |
| 2. Prox. Carousel Mark | 18. Double Arm Assy. |
| 3. Carousel Motor | 19. Bearing Cap |
| 4. Carousel Shaft | 20. Bearing Housing |
| 5. Mounting Plate | 21. Prox. Pocket Down |
| 6. Servo Motor | 22. Prox. Pocket Up |
| 7. Drive Belt | 23. SMTC Shaft Support |
| 8. Output Shaft Cad | 24. SMTC Support Plate |
| 9. Star Bearing Housing | 25. Pocket Stop |
| 10. Star Gear | 26. Tool Pocket Slide |
| 11. Bearing Housing | 27. Prox. Switch Tool One |
| 12. Cam Box | 28. Air Cylinder |
| 13. Output Shaft | 29. ATC Housing |
| 14. Seal | 30. Tool Pocket |
| 15. Cover Plate | 31. Carousel Washer |
| 16. Arm Hub | 32. Belt Drive |