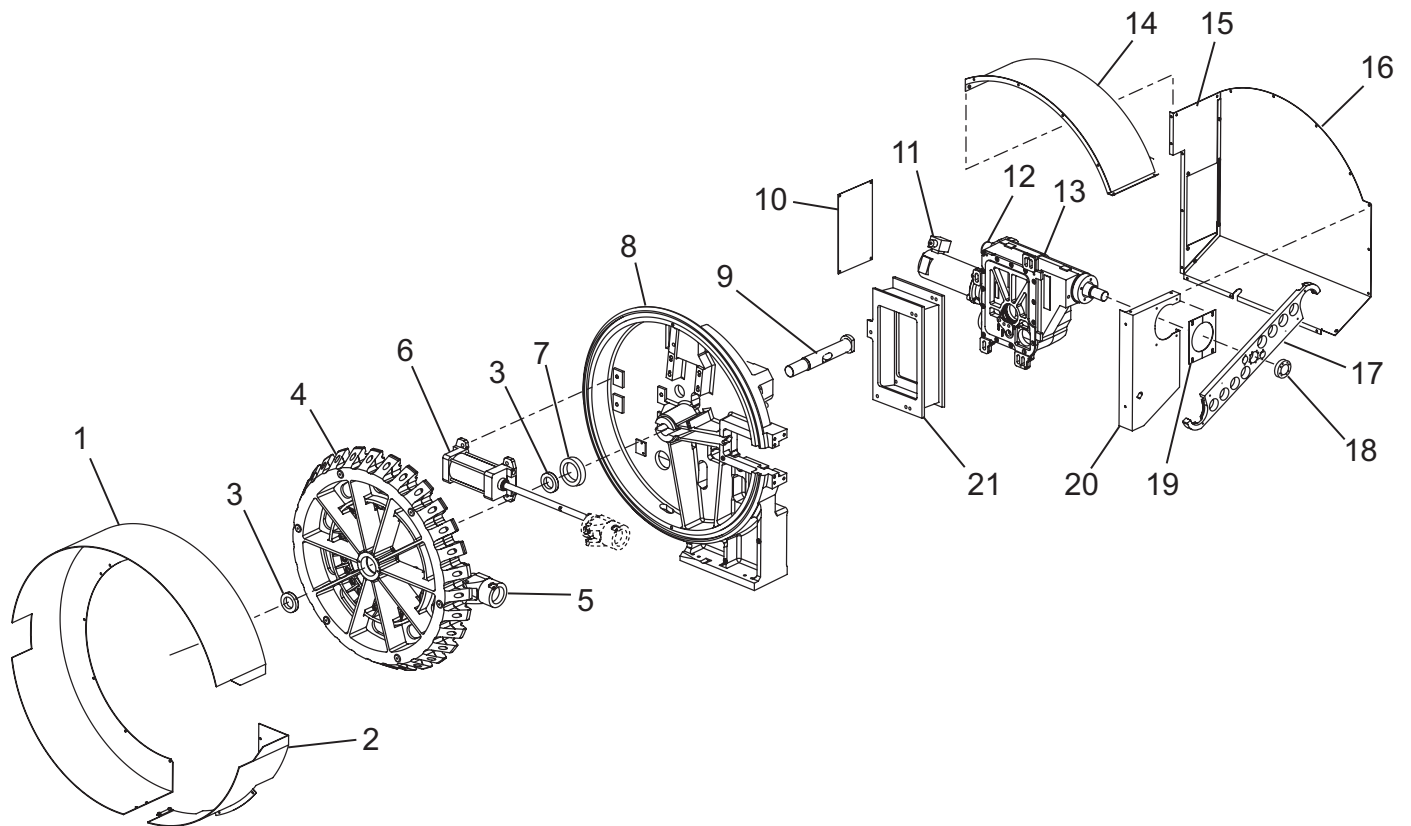




EC-SMTC 30 Pocket 50 Taper



1. SMTC50 Shroud
2. SMTC50 Corner Shroud
3. 2X Deep Groove Bearing
4. Carousel
5. 30X Tool Pocket Assy
6. Air Cylinder 200A2
7. Carousel Washer
8. Carousel Housing Machined
9. Carousel Shaft
10. Motor Cover (EC-1600)
11. Motor .50HP
Motor Mount Side Mount
12. Stargear Assy
13. Cambox machined
Cambox Cover
Outer Lower Bearing Spacer
Bearing Housing Wormshaft
14. SMTC50 Front Cover (EC-1600)
SMTC50 Front Cover (EC-2000/3000)
15. SMTC50 Top Plate (EC-1600/3000)
SMTC50 Top Plate (EC-2000)
16. SMTC50 Right Cover (EC-1600)
SMTC50 Right Cover (EC-2000/3000)
17. SMTC50 BT50
SMTC50 CT50
18. Arm Hub
19. 2X SMTC50 C-Panel
20. SMTC50 Bottom Cover (EC-1600)
SMTC50 Bottom Cover (EC-2000/3000)
21. Cambox Spacer