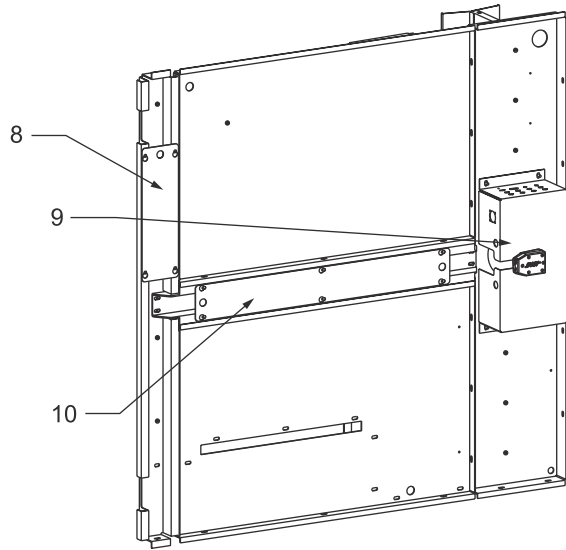
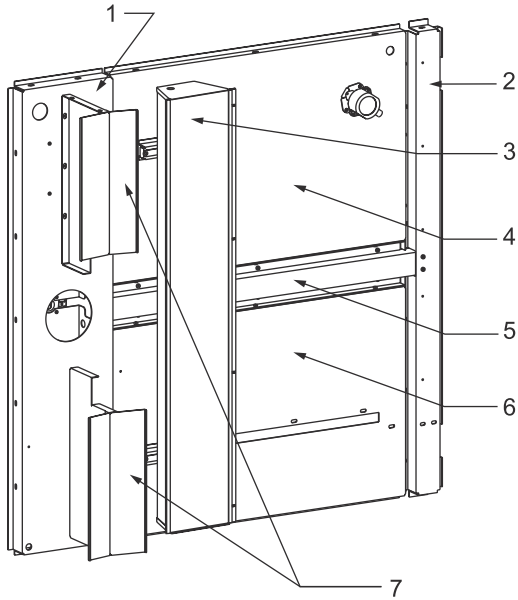




# EC-400 - Top Cover



- 1. Top Cover Front
- 2. Brace Top Intermedite
- 3. Worklight Assembly
- 4. Top Cover Right
- 5. Wire ChannelTop Cover
- 6. Top Cover Left
- 7. Splash Shield Rotating
- 8. Cover Brace Top
- 9. J-Box Top Cover
- 10. Cover Wire Channel Top