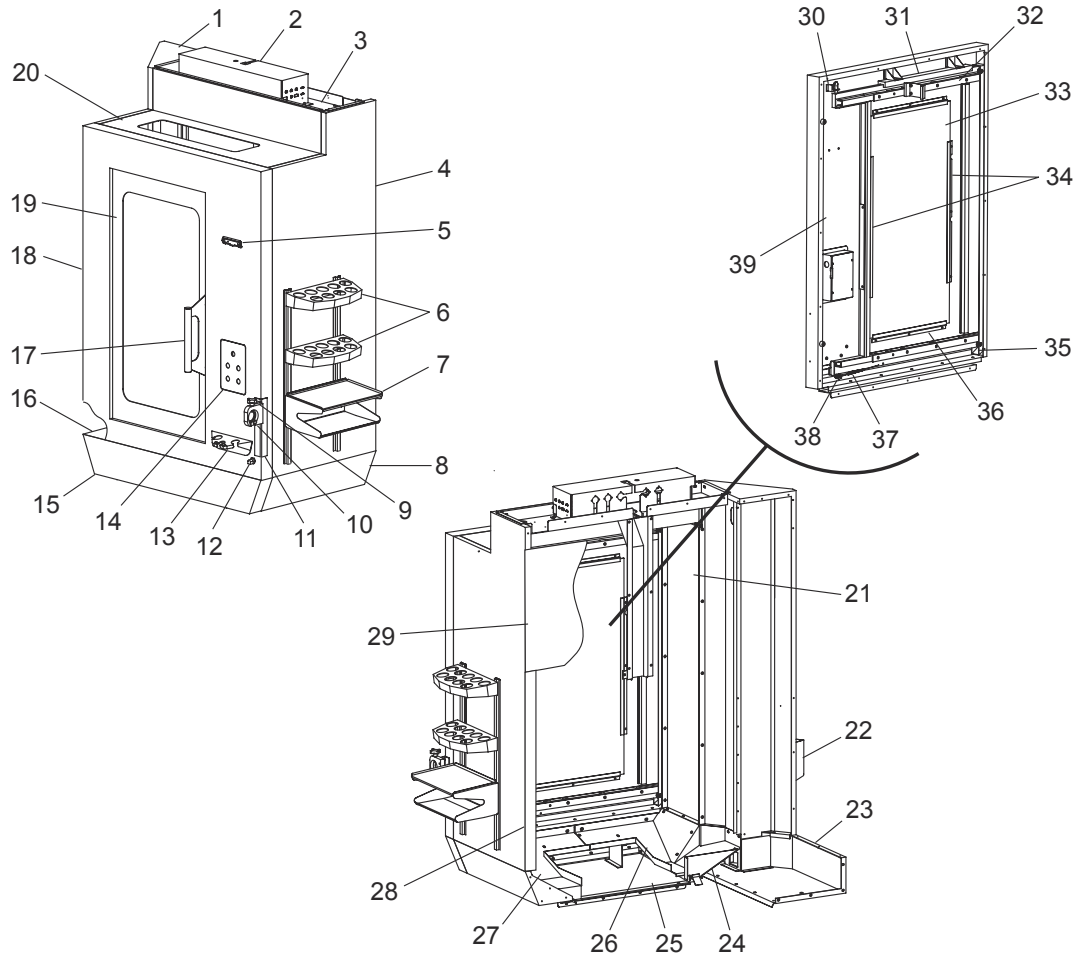




# EC-300 - Front Enclosure



View Rotated for Clarity

- |   |  |
|---|--|
| <ul style="list-style-type: none"> <li>1. Tool Trays Panel</li> <li>2. Intermediate J-Box Top Cover</li> <li>3. Intermediate Top Cover</li> <li>4. Front Right Panel</li> <li>5. Sanders K 18 Wire Clip</li> <li>6. Tool Tray (2x)</li> <li>7. Front Table</li> <li>8. Front Right Pan</li> <li>9. Knob Head 3/8-16 x 1-1/4 Dog Point Screw</li> <li>10. Tool holder Block</li> <li>11. Tool Holder Bracket</li> <li>12. Nipple 1/8 NPT x2<br/>Street Elbow 1/4, 90 degree</li> <li>13. Nozzle Holder Bracket</li> <li>14. Front Panel Switch Box</li> <li>15. Front Center Pan</li> <li>16. Front Left Pan</li> <li>17. Door Handle</li> <li>18. Center Front Panel</li> <li>19. Front Door Assembly</li> <li>20. Front Panel Top Cover</li> </ul> | <ul style="list-style-type: none"> <li>21. Front Left Panel</li> <li>22. Tool Box Assembly</li> <li>23. Left Intermediate Pan</li> <li>24. Left Chip Shield Pan</li> <li>25. Center Bottom Pan</li> <li>26. Front Left Chip Shield Pan</li> <li>27. Front Right Chip Shield Pan</li> <li>28. Operator Door Tunnel</li> <li>29. Panel Top Partition</li> <li>30. Proximity Limit Switch –Door Open</li> <li>31. Front Door Guide Bar</li> <li>32. Rail Load Station (2x)</li> <li>33. Front Door Window</li> <li>34. Side Window Retainer (2x)</li> <li>35. Guide Wheel<br/>PTHS 1/4-20x7/8<br/>NVT<br/>Washer</li> <li>36. Top-Bottom Window Retainer (2x)</li> <li>37. Front Door Spring</li> <li>38. Lower Right Corner Roller Assembly</li> <li>39. Front Door</li> </ul> |
|---|--|