

DETAIL A
SCALE 1 : 8

DETAIL B
SCALE 1 : 8

ITEM NO.	DESCRIPTION	QTY.
1	MACHINED CASTING BASE CC EC-300/MDC-500	1
2	CHIP SHIELD X-AXIS EC300 EC-300B	1
3	BRKT OIL CHANNEL REAR GUIDE BASE MDC500	1
4	TROUGH-DISCHARGE-CC EC-300/MDC-500	1
5	COVER-STEP-CC EC-300/MDC-500	1
6	COVER-GAP-CONVEYOR EC-300/MDC-500	2
7	PAD-ANTI-SLIP-OP STEP EC-300/MDC-500	1
8	GASKET-COVER-STEP-CC EC-300/MDC-500	1
9	GASKET-TROUGH-DISCH-CC EC-300/MDC-500	1
10	CHIP CONVEYOR EC-300/MDC-500 TWIST LOCK	1
11	PAN REAR LEFT EC-300/MDC-500	1
12	PAN-REAR-CONTROL	1
13	SOL-240V-AIR KNIFE EC-300/MDC-500	1
14	MNT. BRKT., AIR KNIFE SOLENOID 100/BX	1
15	4-40 X 1/4 FHP 82	2
16	FITG BKHD NPT-1/4 X .750 DIA	1
17	FITG LBO 3/8 X 1/4 NPT-M STR AIR ONLY	1
18	FITG LBO-3/8 X NPT-1/4-M X 90	1
19	BRKT CLNT PMP CONN 25/BOX	1
20	RJ12 COUPLING PANL MOUNT BLACK STRAIGHT	1
21	COVER RJ12 MOLDED	1
22	CLAMP 1.5" DIA CONNECTOR	3

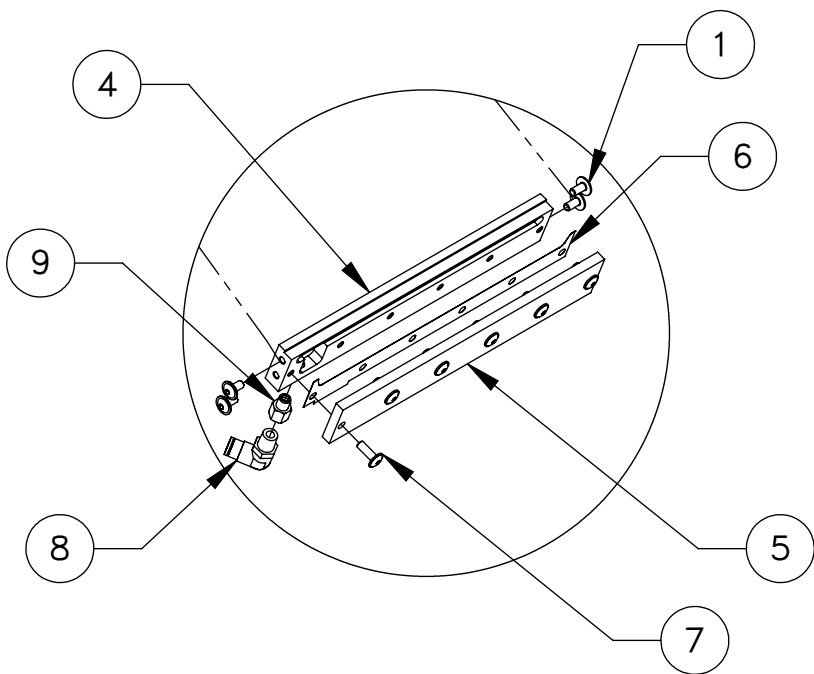
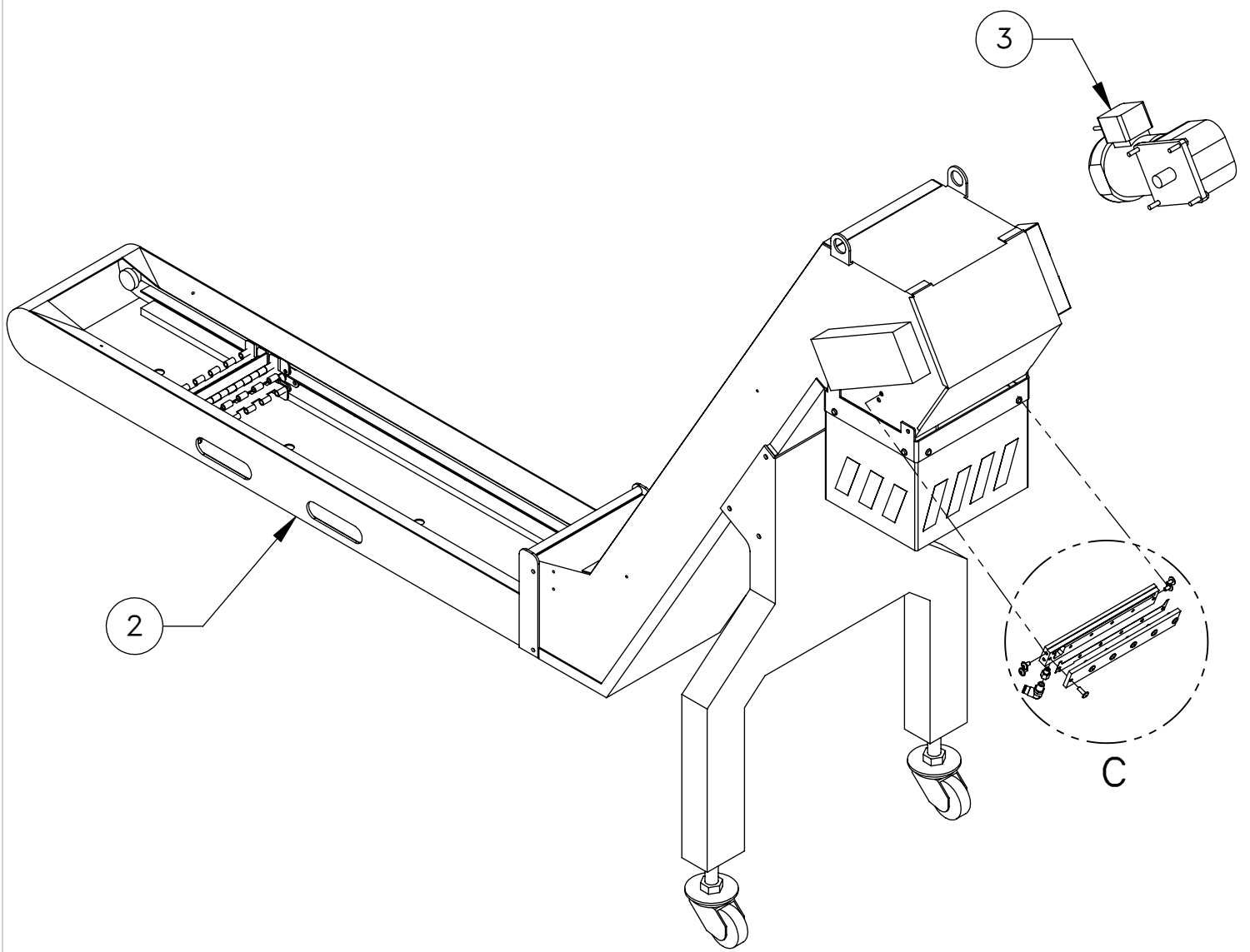
SHEET 1 OF 2

DESCRIPTION
EC-300 CHIP CONVEYOR SYSTEM

EFFECTIVE DATE

APRIL-2007

SAP DOC NO./VER: /



DETAIL C
SCALE 1 : 6

ITEM NO.	DESCRIPTION	QTY.
1	FBHCS 1/4-20 X 1/2 SLF-TPW/LOCTITE PTC	4
2	CHIP CONVEYOR EC-300/MDC-500	1
3	MOTOR, CHIP CONVEYOR EC-300,	1
4	BAR-MAIN BODY-AIR KNIFE EC-300/MDC-500	1
5	PLATE-CVR-BODY-AIR KNOFE EC-300/MDC-500	1
6	SHIM-SPACER-AIR KNIFE EC-300 / MDC-500	1
7	FBHCS 1/4-20 X 3/4 W/LOCTITE PTCH	6
8	FITG LBO-3/8 X NPT-1/4-M X 90	1
9	FITG, 1/8 F NPT ORIFICE .067	1

SHEET 2 OF 2

DESCRIPTION

EFFECTIVE DATE

EC-300 CHIP CONVEYOR SYSTEM

APRIL-2007

SAP DOC NO./VER: /