

ITEM NO.	DESCRIPTION	QTY.
1	SPINDLE W/ DBAR DT-1	1
2	SPIDER INLINE COUPLING INLINE SPINDLE	1
3	CLAMP ENCODER SPRING MNT INLINE/SL-20	1
4	BOX ENCDR SPRNG MNT/SL20 540/PLT	1
5	CLNT UNION ASSY EC300	1
6	HAAS MAGNETIC ENCODER (SHAFTED)	1
7	TIMING PULLEY .375 BORE	1
8	MOTOR MOUNT DT-1 SPINDLE	1
9	ROCKER ARM ASSY	1
10	SPINDLE MOTOR W/ SHROUD ASSY	1
11	AIR CYL 4IN DIA X 1.5IN STROKE DT-1	1
12	FAN 225MM 600CFM/0.1"H2O 120VAC 60/50HZ	1
13	CYL ASSY AIR BLAST HAAS SPINDLE MO	1
14	LOWER BAFFLE SERVICE ONLY	1
15	SPINDLE HEAD, MACHINING	1
16	LINEAR GUIDE 30 X 930	4
17	FITG LBO-1/4 X NPT-1/8-M X 90 AIR ONLY	2
18	TRANSFER TUBE, TSC 30T DT	1

SHEET 1 OF 2

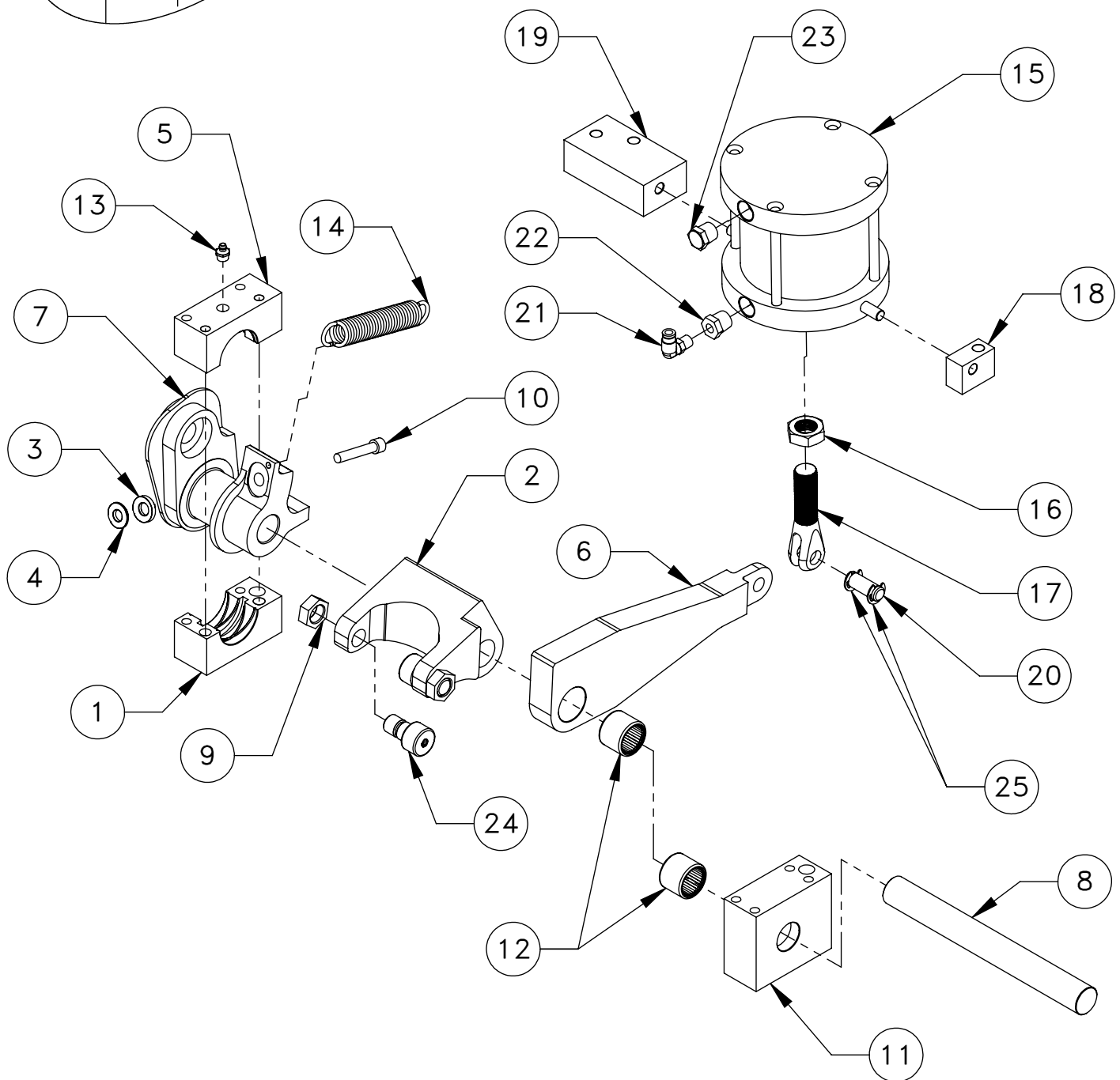
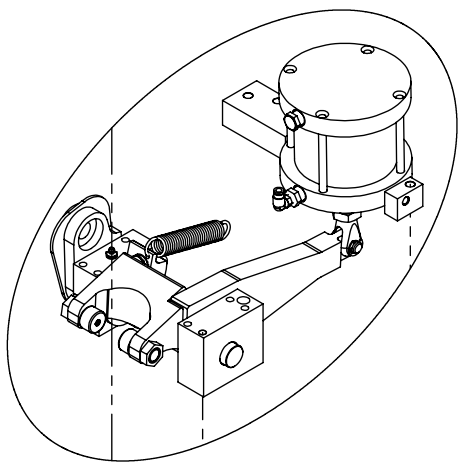
DESCRIPTION

EFFECTIVE DATE

DT-1 SPINDLE HEAD ASSY 12,000RPM 30TAPER

JUNE-2009

SAP DOC NO./VER: /



DETAIL A  
SCALE 1 : 4

ITEM	DESCRIPTION	QTY.
1	BEARING BLOCK, LOWER	1
2	ROCKER ARM, ACTUATOR	1
3	SPHERICAL WASHER (BACK)	1
4	SPHERICAL WASHER (FRONT)	1
5	BEARING BLOCK, UPPER	1
6	RELEASE ARM, MANUAL	1
7	ROCKER ARM, CAM	1
8	SHAFT, ROCKER	1
9	NUT 5/8-11 HEX PLT	2
10	SHCS 5-16-18 X 1 3/4 DOMESTIC ONLY	1
11	ROCKER ARM BEARING BLOCK	1
12	NEEDLE BEARING	2
13	GREASE FITTING STR 1/8-M NPT	1
14	TENSION SPRING	1
15	AIR CYL 4IN DIA X 1.5IN STROKE DT-1	1
16	NUT 3/4-16 LH JAM	1
17	CLEVIS, 3/4-16 X .500	1
18	MOUNT, AIR CYLINDER, LEFT	1
19	MOUNT, AIR CYLINDER, RIGHT	1
20	CLEVIS PIN, .500 DIA., 1.00 LONG	1
21	FITG LBO-1/4 X NPT-1/8-M X 90 AIR ONLY	1
22	REDUCER 3/8M X 1/8F NPT	1
23	AIR MUFFLER NPT-3/8-M FLUSH BRONZE	1
24	CAM FOLLOWER 1 DIA	2
25	RETAINING RING E-STYLE .396 DIA.	2

SHEET 2 OF 2

DESCRIPTION

EFFECTIVE DATE

DT-1 SPINDLE HEAD ASSY 12,000RPM 30TAPER

JUNE-2009

SAP DOC NO./VER: /