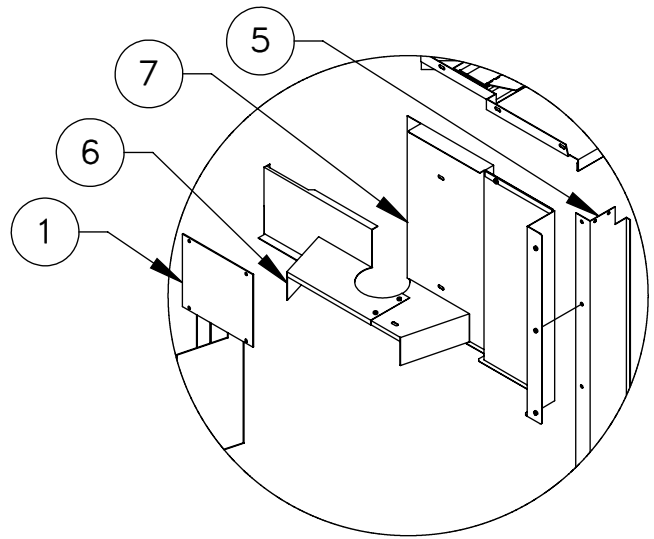
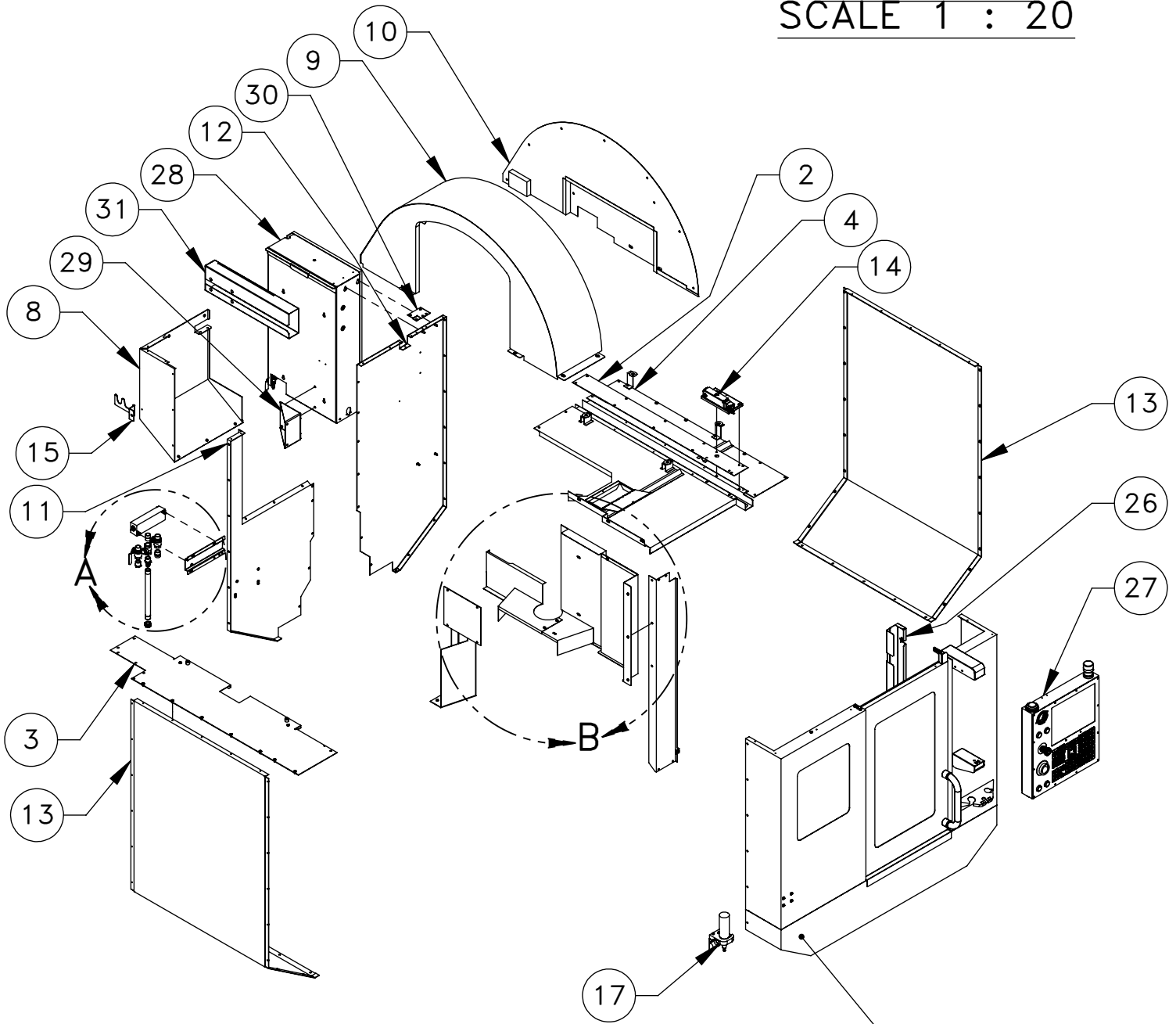


DETAIL A
SCALE 1 : 15



DETAIL B
SCALE 1 : 20



SEE SHEET 2
FOR DETAILS

| ITEM NO. | DESCRIPTION | QTY. |
|----------|---|------|
| 1 | CHIP SHIELD SUPPORT TC RIGHT DT-1 | 1 |
| 2 | COVER, CABLE CHANNEL, ROOF DT-1 | 1 |
| 3 | TOP PANEL ENCL LEFT DT-1 | 1 |
| 4 | TOP PANEL ENCL RT DT-1 | 1 |
| 5 | CHIP SHIELD SUPPORT TC FRONT DT-1 | 1 |
| 6 | CHIP SHIELD TC BACK DT-1 | 1 |
| 7 | CHIP SHIELD TC RIGHT DT-1 | 1 |
| 8 | CAROUSEL COVER BACK DT-1 | 1 |
| 9 | CAROUSEL COVER TOP DT-1 | 1 |
| 10 | CAROUSEL COVER RIGHT DT-1 | 1 |
| 11 | BACK PANEL ENCL LEFT DT-1 | 1 |
| 12 | BACK PANEL ENCL RIGHT DT-1 | 1 |
| 13 | SIDE PANEL ENCL DT-1 | 2 |
| 14 | EUCHNER | 1 |
| 15 | HOLDING BRACKET WASH HANDLE | 1 |
| 16 | BRACKET MANIFOLD | 1 |
| 17 | TOOL HOLDER VISE DT-1 | 1 |
| 18 | MANIFOLD 3/4 NPT SND CASTMACHINED | 1 |
| 19 | VALVE BALL NPT-3/4-F X NPT-3/4-M | 2 |
| 20 | FITG GARDEN-3/4-M X NPT-3/4-M | 1 |
| 21 | FITG REDUCER NPT-3/4-M X NPT-3/8-F | 1 |
| 22 | WIRE HELIX PVC SUCTION HOSE 3/4 ID | 1 |
| 23 | FITG HOSE BARB-3/4 X NPT-3/4-M | 1 |
| 24 | FITG 3/4 SWVL X 3/4 BARB BRASS GHF-12 | 1 |
| 25 | NIPPLE 3/4 NPT X 1 1/4 BRASS VIBRA SEAL | 1 |
| 26 | CHIP SHIELD AIR HOSE DT-1 | 1 |
| 27 | FRONT PANEL ASSY THIN, SMM | 1 |
| 28 | MIN LUBE PANEL ASSY RESERVOIR, DT-1 | 1 |
| 29 | BRACKET BRACE LUBE PANEL MM | 1 |
| 30 | BRACKET SUPPORT GREASE LUBE DT-1 | 1 |
| 31 | BRACKET WIRE CHANNEL CONTROL DT | 1 |

SHEET 1 OF 2

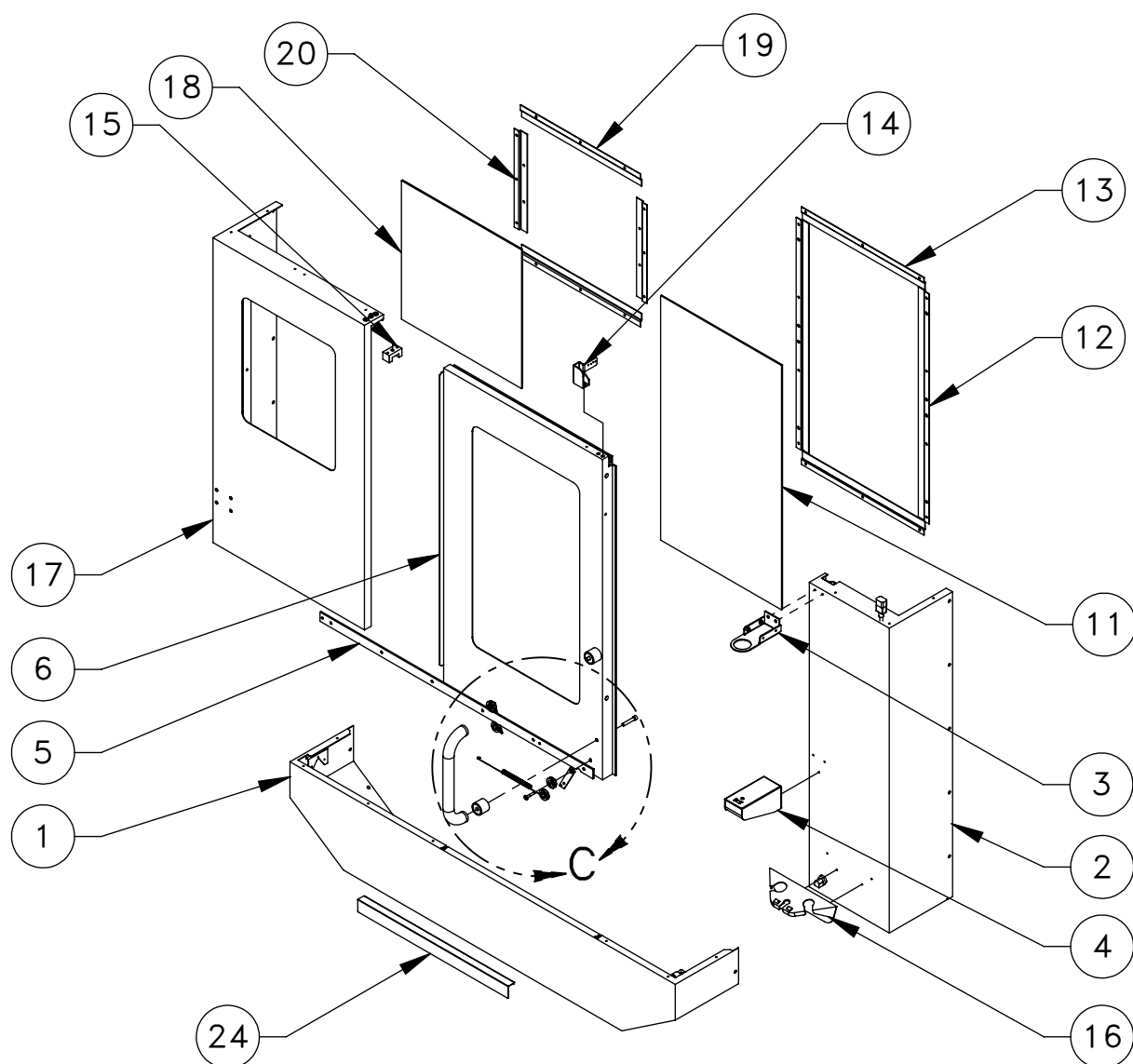
DESCRIPTION

EFFECTIVE DATE

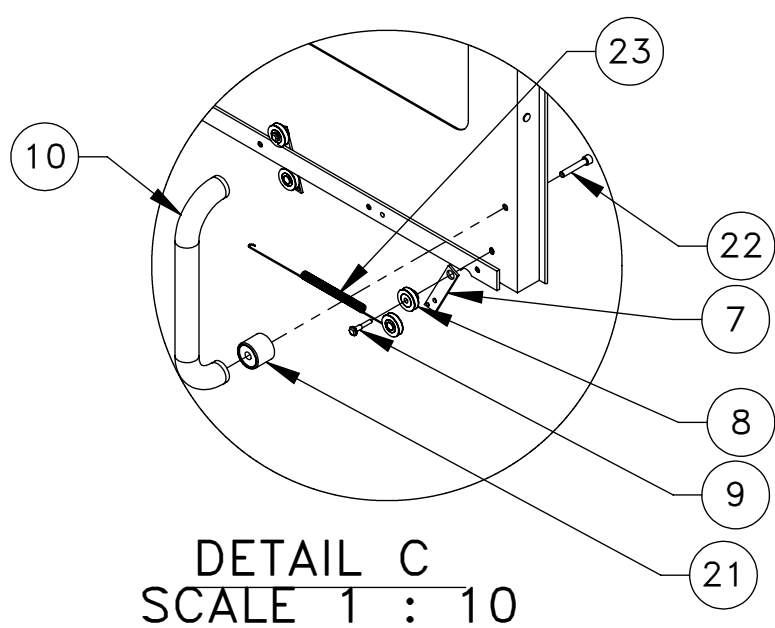
DT-1 ENCLOSURE

MAY-2011

SAP DOC NO./VER: /



FRONT PANEL & DOOR ASSEMBLY



| ITEM NO. | DESCRIPTION | QTY. |
|----------|------------------------------------|------|
| 1 | FRONT PANEL ENCL CENTER DT-1 | 1 |
| 2 | FRONT PANEL ENCL RIGHT DT-1 | 1 |
| 3 | PENDANT SUPPORT BRKT UPPER MM-2 | 1 |
| 4 | PENDANT SUPPORT BRKT ASSY | 1 |
| 5 | RAIL DOOR LOWER | 1 |
| 6 | DOOR OPERATOR DT-1 | 1 |
| 7 | BRACKET SWIVEL ROLLE | 1 |
| 8 | GUIDE WHEEL DOOR ROLLERS | 1 |
| 9 | HHB 1/4-20 X 1 1/4 GRADE 8 PLATED | 1 |
| 10 | HANDLE DOOR CHROM | 1 |
| 11 | WINDOW DOOR VFO-2 | 1 |
| 12 | DOOR FRAME SIDES | 2 |
| 13 | DOOR FRAME TOP/BTTM | 2 |
| 14 | ACTUATOR KEY MOUNT BRKT DT-1 | 1 |
| 15 | GUIDE BLOCK DOOR MINIMILL | 1 |
| 16 | NOZZLE HOLDER BRACKET | 1 |
| 17 | FRONT PANEL ENCL LEFT DT-1 | 1 |
| 18 | WINDOW PANEL 19 IN SQ. EC-400PP | 1 |
| 19 | Z FRAME TC/OP DR WINDOW EC-400 | 2 |
| 20 | FRAME WINDOW SIDE OL-1 | 2 |
| 21 | SPACER DOOR HANDLE DT-1 | 2 |
| 22 | SHCS 5/16-18 X 1 3/4 DOMESTIC ONLY | 2 |
| 23 | SPRING DOOR FRONT | 1 |
| 24 | EDGE PROTECTOR FRONT PANEL DT-1 | 1 |

SHEET 2 OF 2

DESCRIPTION

EFFECTIVE DATE

DT-1 ENCLOSURE

MAY-2011

SAP DOC NO./VER: /