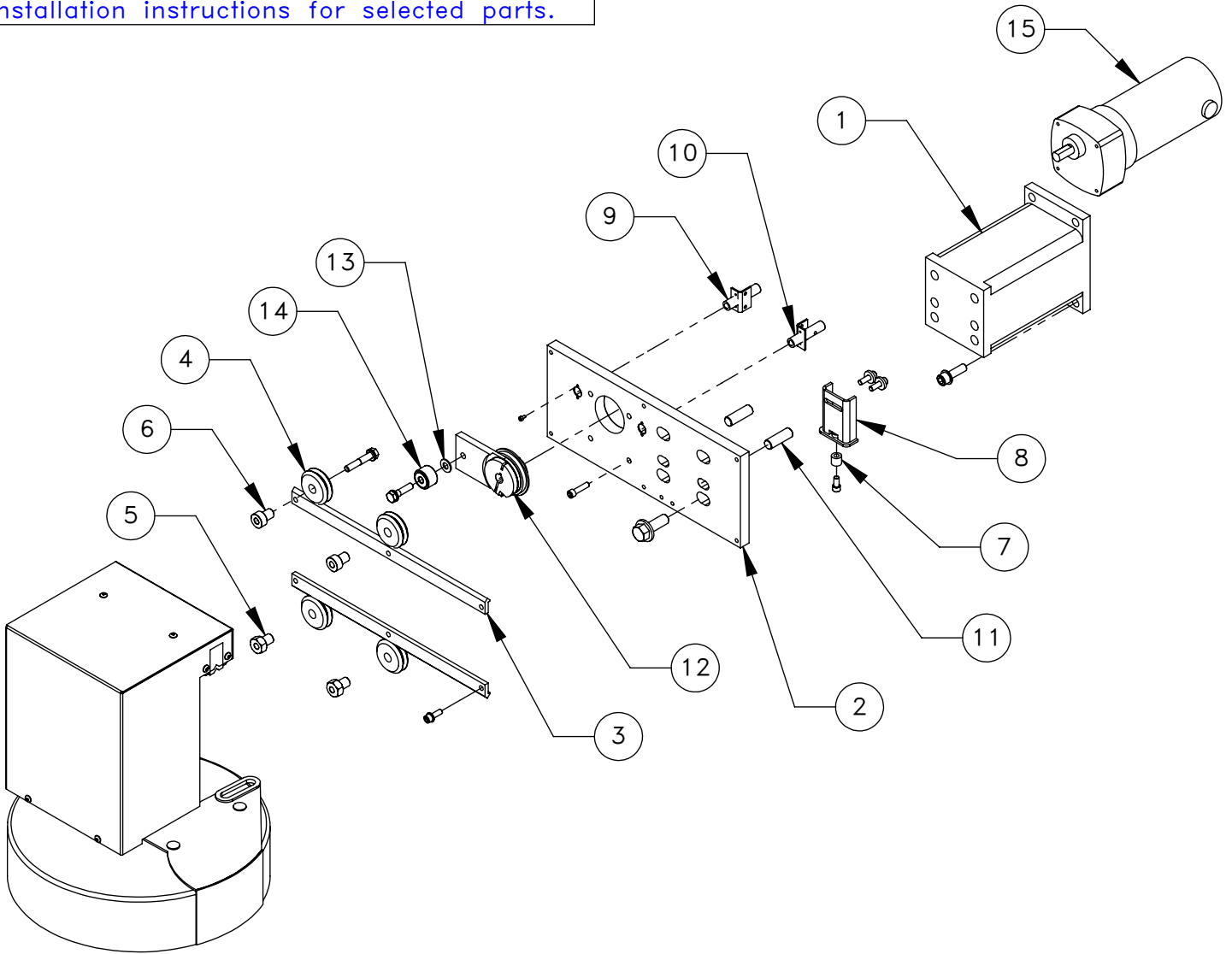


Go to parts.haascnc.com to get pricing and installation instructions for selected parts.



ITEM NO.	PART NUMBER	PART DESCRIPTION	QTY.
1	20-3122	TC MOUNT ISO20 OM-1	1
2	20-3119B	SHUTTLE PLATE OM-1A/2A	1
3	20-3120A	V TRACK ISO20 OM-1A/2A	2
4	54-0030	GUIDE WHEEL VF T/C CARRIAGE	4
5	54-0020	BUSHING GUIDE WHEEL VF T/C HEX HEAD	2
6	54-0040	STANDARD BUSHING GD WHL T/C ROUND H	2
7	22-2065	LOCATING PIN	1
8	25-0466	BRACKET DOOR OPENER 50-100/BX & MX	1
9	32-2206	PROX NC TOOL ONE	1
10	32-2208	PROX NC TC SHUT OUT	1
11	48-1750	DOWEL PIN 1/2 X 1 1/2 SOLID NOMINAL FIT	2
12	30-8119	ACTUATING ARM ASSY ISO20 OM-1	1
13	45-1739	WASHER 5/16 FLAT A325	1
14	54-0010	CAM FOLWR 1.00 HOLW .312 T/C	1
15	32-1911A	GENEVA MTR SMM 49RPM	1

Disclaimer: Not all parts are available for individual sale; Some are part of an assembly. Assembly configuration is subject to change without notice.

SHEET 1 OF 3

DESCRIPTION

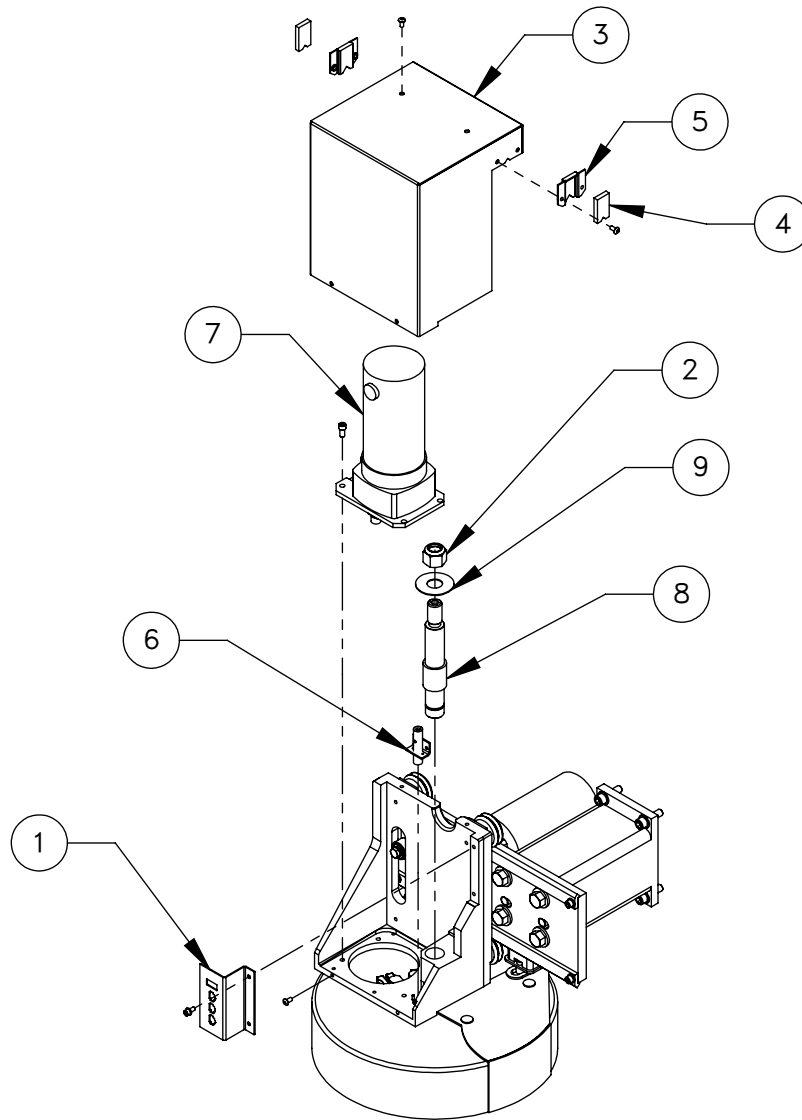
EFFECTIVE DATE

UMB 20 PKCT ISO20 OM/CM

NOV-2016

SAP DOC NO./VER: 1000074379/01

Go to parts.haascnc.com to get pricing and installation instructions for selected parts.



ITEM NO.	PART NUMBER	PART DESCRIPTION	QTY.
1	25-7162	CONNECTOR BRACKET 100/BOX	1
2	46-1705	NUT 3/4-10 NYLON LOCK	1
3	25-6953B	CARRIAGE COVER ISO20	1
4	26-0083	FELT T/C CARRIAGE RAIL WIPER	2
5	25-1392A	RETAINER T/C FELT	2
6	32-2206	PROX NC TOOL ONE	1
7	30-8118	TURRET MOTOR ASSY ISO20 OM-1	1
8	20-3115	VERTICAL AXEL ISO20 OM-1	1
9	45-0004	WASHER 3/4 FLAT SAE PLT MCMASTER 90108A	1

Disclaimer: Not all parts are available for individual sale; Some are part of an assembly. Assembly configuration is subject to change without notice.

SHEET 2 OF 3

DESCRIPTION

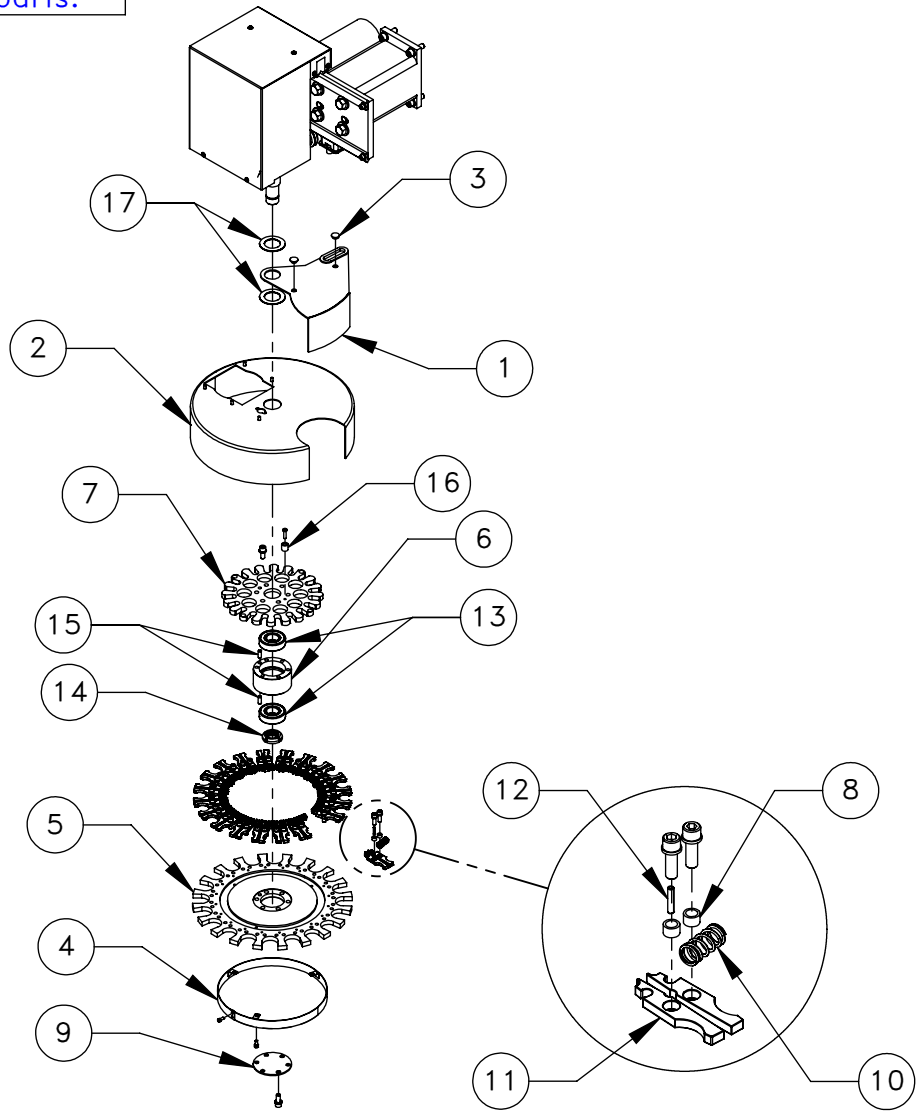
EFFECTIVE DATE

UMB 20 PCKT ISO20 OM/CM

NOV-2016

SAP DOC NO./VER: 1000074379/01

Go to parts.haascnc.com to get pricing and installation instructions for selected parts.



DETAIL A

ITEM NO.	PART NUMBER	PART DESCRIPTION	QTY.
1	25-6952A	TRAP DOOR ISO20	1
2	25-6951A	SHROUD ISO20	1
3	22-7163	RIDER TRAP DOOR	2
4	25-6949	NUMBER RING ISO20 OM-1	1
5	20-3112A	CAROUSEL ISO 20 OM-1	1
6	20-3116	BEARING HOUSING ISO20 OM-1	1
7	20-3117	GENEVA STAR ISO20 OM-1	1
8	20-3421A	EXTRACTOR BUSHING ISO20 40K SPINDLE OPT	40
9	25-0635	BEARING COVER 100/BOX	1
10	24-0113	SPRING COMPRESSION .48 X1ISO20 EXTRACTOR	20
11	20-3113A	EXTRACTOR ISO20 40K SPINDLE OPT	40
12	48-0025	ROLL PIN 1/8 X 5/8 MCMASTER #98296	20
13	51-2022	BEARING DP GROOVE 6205 25ID X 52OD X 15	2
14	51-2041	BEARING LOCKNUT BH-05	1
15	48-0019	DOWEL PIN 1/4 X 5/8 SOLID NOMINAL FIT	2
16	63-0012	SPACER NYLON 0.50D 0.5LTHROUGH HOLE 0.	1
17	45-2020	WASHER 1 1/4 NYLON .031THK X 2.000	4

Disclaimer: Not all parts are available for individual sale; Some are part of an assembly. Assembly configuration is subject to change without notice.

SHEET 3 OF 3

DESCRIPTION

EFFECTIVE DATE

UMB 20 PCKT ISO20 OM/CM

NOV-2016

SAP DOC NO./VER: 10000074379/01