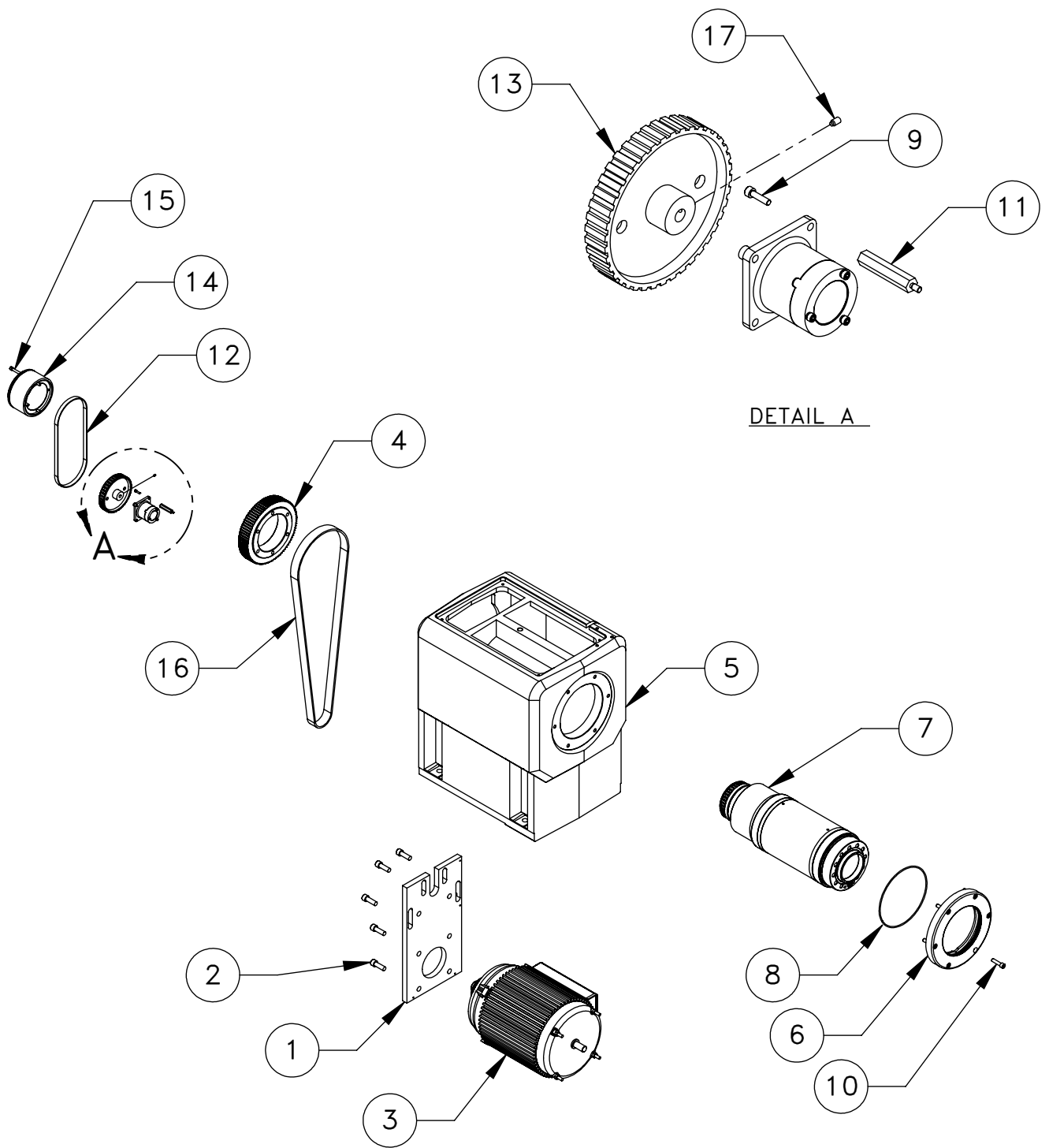


Go to parts.haascnc.com to get pricing and installation instructions for selected parts.



ITEM NO.	PART DESCRIPTION	QTY.
1	MOTOR MOUNT PLATE TL-3	1
2	SHCS 1/2-13 X 1 1/2 DOMESTIC ONLY	8
3	SPINDLE MOTOR 10HP BALDOR	1
4	SPKT GT 8M-84-30	1
5	SPND HEAD CAST MACH TL-3	1
6	RING RETAINER SPINDLE	1
7	SPACER BEARING SPINDLE	1
8	O-RING 2-265 BUNA	1
9	SHCS 8-32 X 5/8	4
10	SHCS 3/8-16 X 1 1/2	6
11	STANDOFF 3/8 X 1.812 8-32 M/F ALUM	4
12	TIMING BELT L-.500-30 300L050	1
13	SPKT TIMING L-.375-40 SPINDLE	1
14	SPINDLE EXTENSION TL-3	1
15	SHCS 1/4-20 X 2 3/4	4
16	DRV BELT PGGT 8MX30X1600	1
17	SSS 8-32 X 1/4 HALF DOG MCMASTER 92505A	1

Disclaimer: Not all parts are available for individual sale; Some are part of an assembly. Assembly configuration is subject to change without notice.

SHEET 1 OF 1

DESCRIPTION

EFFECTIVE DATE

TL-3 SPINDLE ASSY 1800 RPM

MAY-2008

SAP DOC NO./VER: 1000007047/01