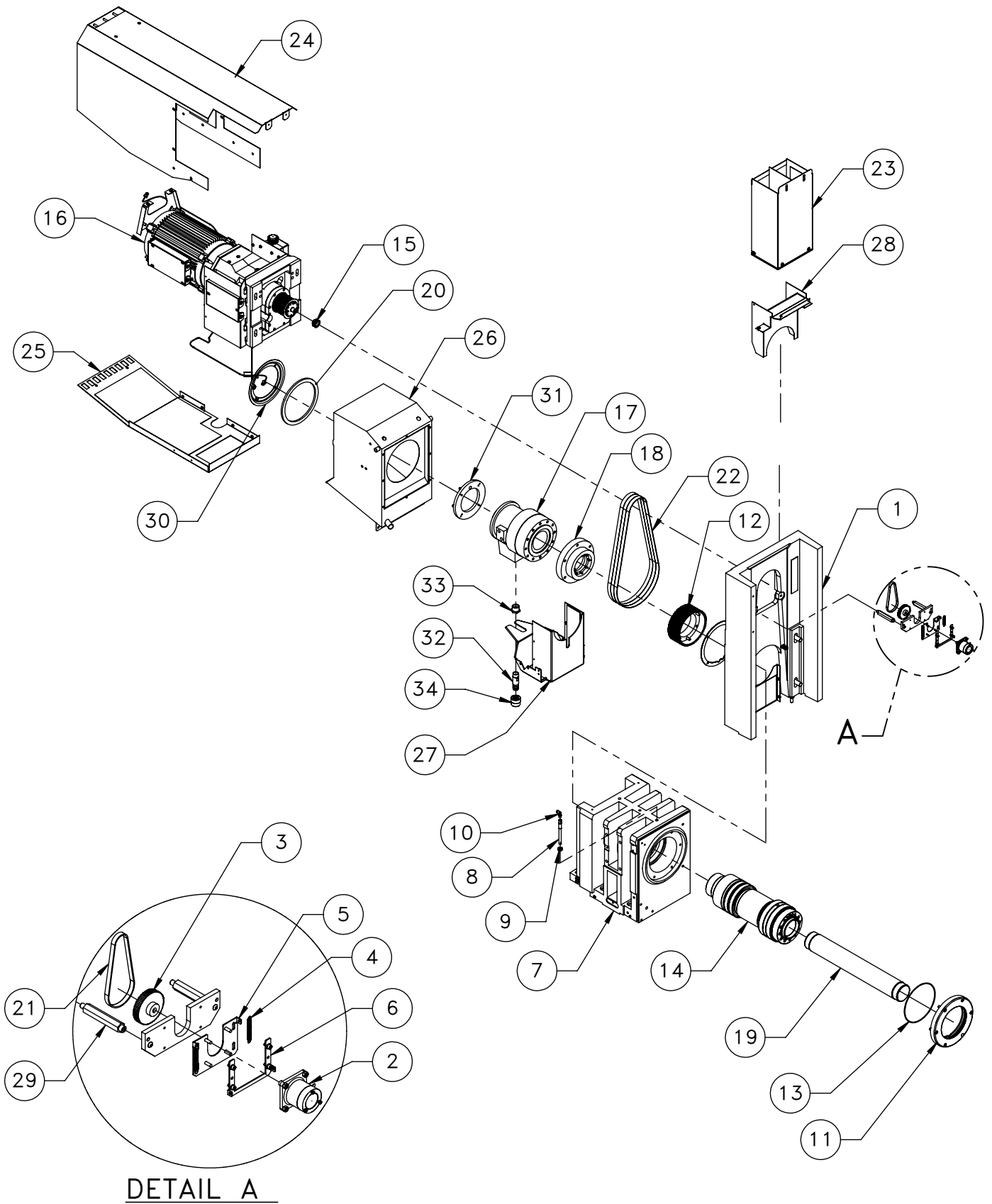


Go to parts.haascnc.com to get pricing and installation instructions for selected parts.



DETAIL A

BOM Table(Restructured)		
ITEM_NO.	DESCRIPTION	QTY.
1	"20-10319B SPNDL MTR MNT MACH ST30 W/TRANS"	1
2	BODY MAGNETIC ENCODER SHAFTED (MACHINED)	1
3	TIMING PULLEY .375 BORE	1
4	59-0742.SLDPRT SPRING EXT .29 OD X 1.5 L	2
5	ENCODER SPRING MOUNT 50T GEARBOX 50/BX	1
6	25-6298.SLDPRT CLAMP ENCODER SPRING MNT	1
7	20-4821 MACH SPNDL HOUSING ST REAR BALL	1
8	OIL MIST NOZZLE DOUBLE 5.	1
9	NUT 1/2-13 JAM	1
10	FITG LBO-1/4 X NPT-1/8-M X 90 AIR ONLY	2
11	RING RETAINER SPINDLE	1
12	SPKT GT 8M-72-60	1
13	O-RING 2-265 BUNA	1
14	CLAMP RING FRNT SPNDL BRGS	1
15	PULLEY DRIVE HTD 3MX09	1
16	SPINDLE MOTOR 20HP LNC MAG ENC	1
17	90-7011D 05 CHUCK CYL 10 M85 BODY LMCT	1
18	HS CHUCK CLOSER ADAPTER	1
19	DRAWTUBE	1
20	CLNT COLL SEAL CLNT COL	1
21	DRV BELT HTD 3MX09	1
22	"54-0135 DRV BELT 1440-8MGT-20 SET OF 3"	1
23	25-11609D UPPER BELT SHROUD ST30	1
24	SHROUD SPNDL MTR TRANS S30	1
25	SHROUD LOWER SPNDL MTR TRANS S30	1
26	COOLANT COLLECTOR, S30	1
27	25-11577A HYD CLSR ANTI ROT BRKT ST-30	1
28	UPPER BELT SHROUD BOTTOM HALF S20/30	1
29	MOTOR ENCDR STAND OFF, M	2
30	CLNT SEAL ADPTR ST 10" S	1
31	CLNT COLL ADPTR SAM/KTA 1	1
32	CLNT DRAIN FITTING	1
33	FITG REDUCER NPT-1-M X NPT-3/4-F	1
34	HOSE CLAMP	1

Disclaimer: Not all parts are available for individual sale; Some are part of an assembly. Assembly configuration is subject to change without notice.

SHEET 1 OF 1

DESCRIPTION

EFFECTIVE DATE

ST-30 SPINDLE HEAD ASSY 3400 RPM GBOX

NOV-2009

SAP DOC NO./VER: 1000006583/01