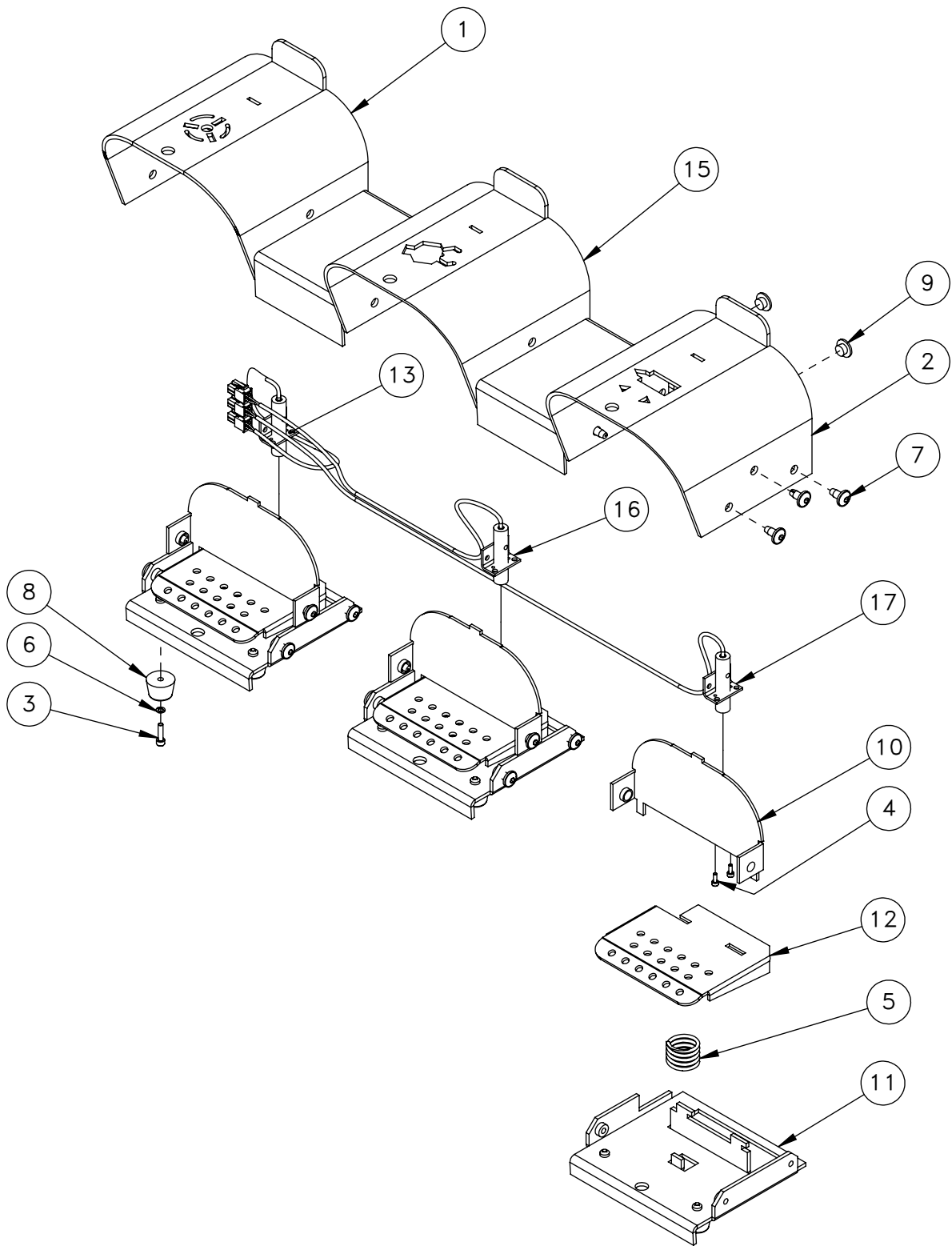


Go to parts.haascnc.com to get pricing and installation instructions for selected parts.



ITEM NO.	DESCRIPTION	QTY.
1	25-1255E COVER FOOT SW CHUCK	1
2	COVER, FOOT SW T/C	1
3	SHCS 8-32 X 5/8	6
4	SHCS M3 X 8	6
5	SPRING C0975-112-1000-M 15/16 X 1IN	3
6	WASHER #8 SPLT LCK PLT MED	6
7	FBHCS 1/4-20 X 1/2 SLF-TP W/LOCTITE PATCH	15
8	LEGS CONTROL	6
9	RIDER TRAP DOOR	6
10	BULKHEAD FOOT SWITCH 2500/PLT	3
11	BASE PLATE FOOT SWITCH	3
12	PEDAL FOOT SWITCH	3
13	PROX NO CHK UNCL FTSW	1
14	ELECTRICAL GREASE 5.3 OZ	1
15	COVER, FOOT SW S/R	1
16	PROX NO S/R FTSW 24 IN	1
17	PROX NO TLSTK FTSW 39 IN	1

SHEET 1 OF 1

DESCRIPTION
ST-40/ST-40L/ST-50/ST-55 FOOT SWITCH
ASSEMBLY

EFFECTIVE DATE
JULY-2014

SAP DOC NO./VER: 1000037924/02