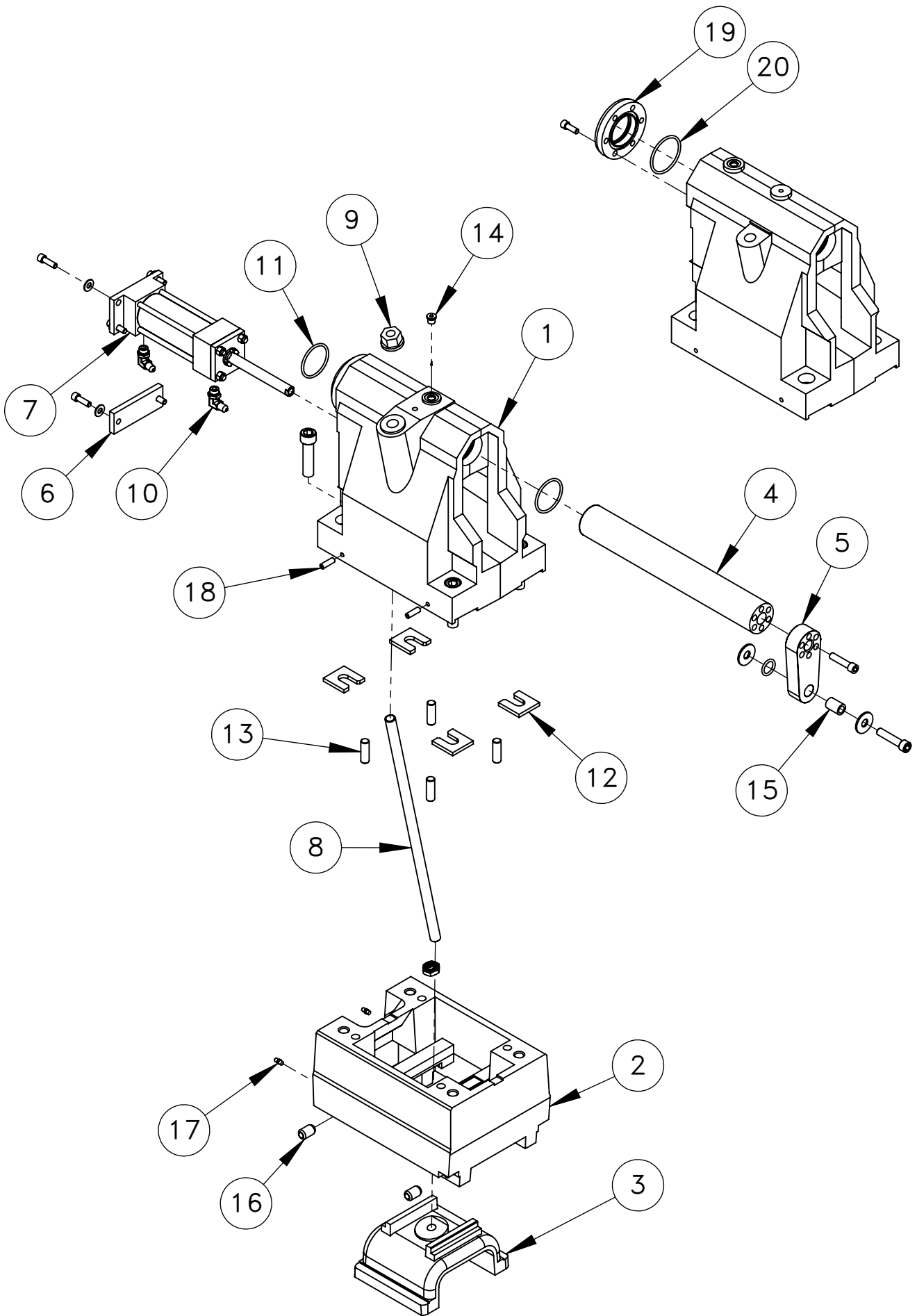


Go to parts.haascnc.com to get pricing and installation instructions for selected parts.



ITEM NO.	Part Number	PART DESCRIPTION	QTY.
1	20-6697A	TAILSTOCK HEAD ST-10/15 MACH	1
2	20-5914A	T/S BASE MANUAL MACH ST-1X TL 12 DEG.	1
3	20-5971A	T/S CLAMP MANUAL MACH ST-1X TL 12 DEG.	1
4	20-6791	TAILSTOCK QUILL MT-3 ST-10/15	1
5	20-6790	TAILSTOCK QUILL CONNECTOR ST-10/15	1
6	20-6893	TAILSTOCK HEAD COVER ST-10/15	1
7	52-0073	HYD CYL 2 X 3.75	1
8	49-0205A	STUD 5/8-11 X 18.5 IN	1
9	46-8828	NUT 5/8-11 FLANGED	1
10	58-0048	FITG ORB-6-M X JIC-4-M 90	2
11	57-4120	O-RING 2-226 VITON	2
12	20-1966	SHIM 0.2300 X 5/8 ID	4
13	48-1750	DOWEL PIN 1/2 X 1 1/2 SOLID NOMINAL FIT	4
14	58-0835	FITG ORB-4 PLUG HOLLOW HEX PLUG	1
15	20-0774A	BUSHING CNTRL CABINET	1
16	59-0255	BALL PLUNGER 5/8-11 50 LB SPRING NO	2
17	59-2016	GREASE FITTING	2
18	44-0117	SSS 5/16-18 X 1 FLAT PT	4
19	20-6792	TAILSTOCK QUILL CAP ST-10/15	1
20	57-0140	O-RING 2-228 BUNA MCMMASTER #9452K	1

Disclaimer: Not all parts are available for individual sale; some are part of an assembly. Assembly configuration is subject to change without notice.

SHEET 1 OF 1

DESCRIPTION

EFFECTIVE DATE

TAILSTOCK ASSEMBLY ST-10/15

MAR-2015

SAP DOC NO./VER: 1000074009/01