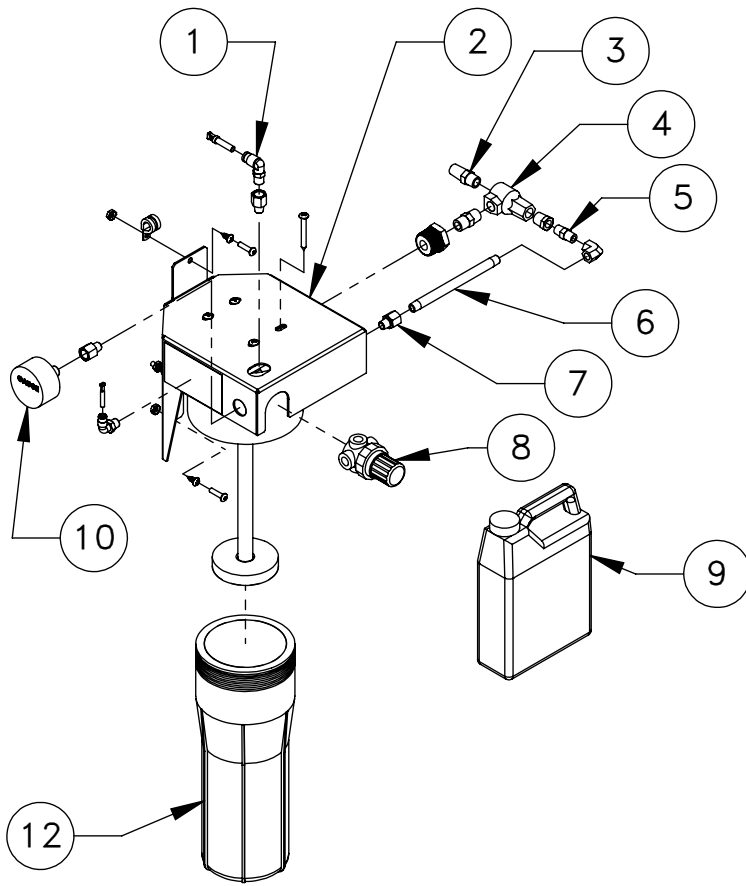
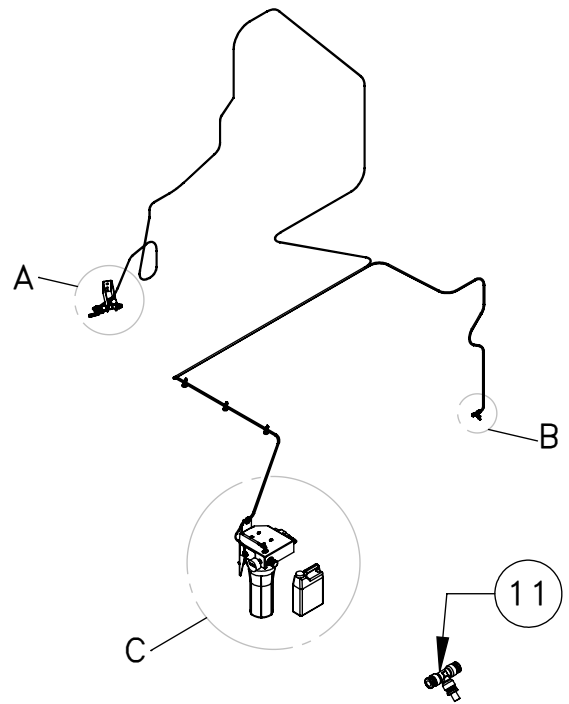


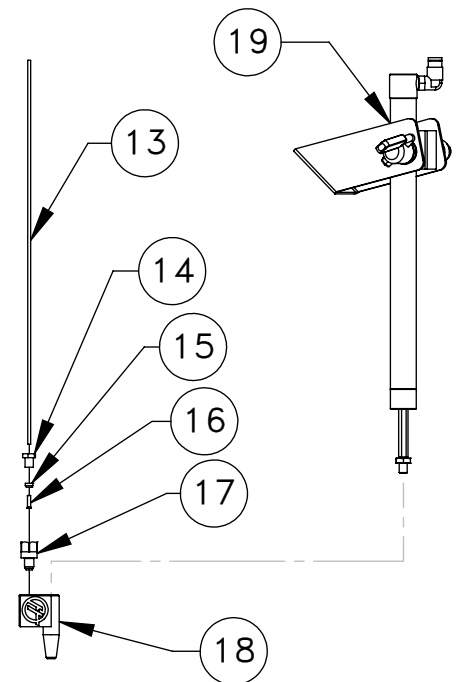
Go to [parts.haascnc.com](http://parts.haascnc.com) to get pricing and installation instructions for selected parts.



**DETAIL C**  
**SCALE 1 : 8**



**DETAIL B**  
**SCALE 1 : 8**



**DETAIL A**  
**SCALE 1 : 6**

ITEM NO.	Part Number	PART DESCRIPTION	QTY.
1	58-3050	FITG LBO-1/4 X NPT-1/8-M X 90	2
2	25-10897	MOUNTING BRACKET MQL RESERVOIR	1
3	58-3069	AIR MUFFLER NPT-1/4-M EXTENDED BRONZE	1
4	59-2832B	QUICK EXHAUST 1/4 HUMPHREY	1
5	58-16732	NIPPLE 1/8 NPT HEX BRASS PARKER 21	1
6	58-1743	NIPPLE 1/8 NPT X 5 BRASS	1
7	58-2255	FITG NPT1/8-F NPT1/8-M STR ORIFICE .250	3
8	58-2740	AIR REGULATOR 5 - 100PSI 1/8NPT	1
9	93-2364	SRVC CANOLA OIL	1
10	58-27395	GAUGE 0-160 PSI X NPT-1/8-M BACK	1
11	58-1847	LBO 1/4 UNION TEE	1
12	59-1315A	FILTER KIT HEAD AND BOWL	1
13	58-1821	3/32OD X .014 WALL X 12IN BRASS TUBE	1
14	58-2110	LUBE FITG COMP NUT 5/16-24-M 5/32TUBE	1
15	58-2130	LUBE FITG COMPRESSION SLEEVE NYLON TUBE	1
16	58-0017	LUBE FITG BRASS INSERT BIJUR 19268	1
17	58-0540	FITG, ADAPT 5/16-24-M BIJUR X 1/8 NPT-F	1
18	20-6264	ATOMIZER BODY MQL	1
19	SEE	AUTO AIR GUN DRAWING	1

Disclaimer: Not all parts are available for individual sale; Some are part of an assembly. Assembly configuration is subject to change without notice.

DESCRIPTION

MINIMUM QUANTITY LUBRICATION SYSTEM

SHEET 1 OF 1

EFFECTIVE DATE

JULY-2004

SAP DOC NO./VER: 1000074614/01