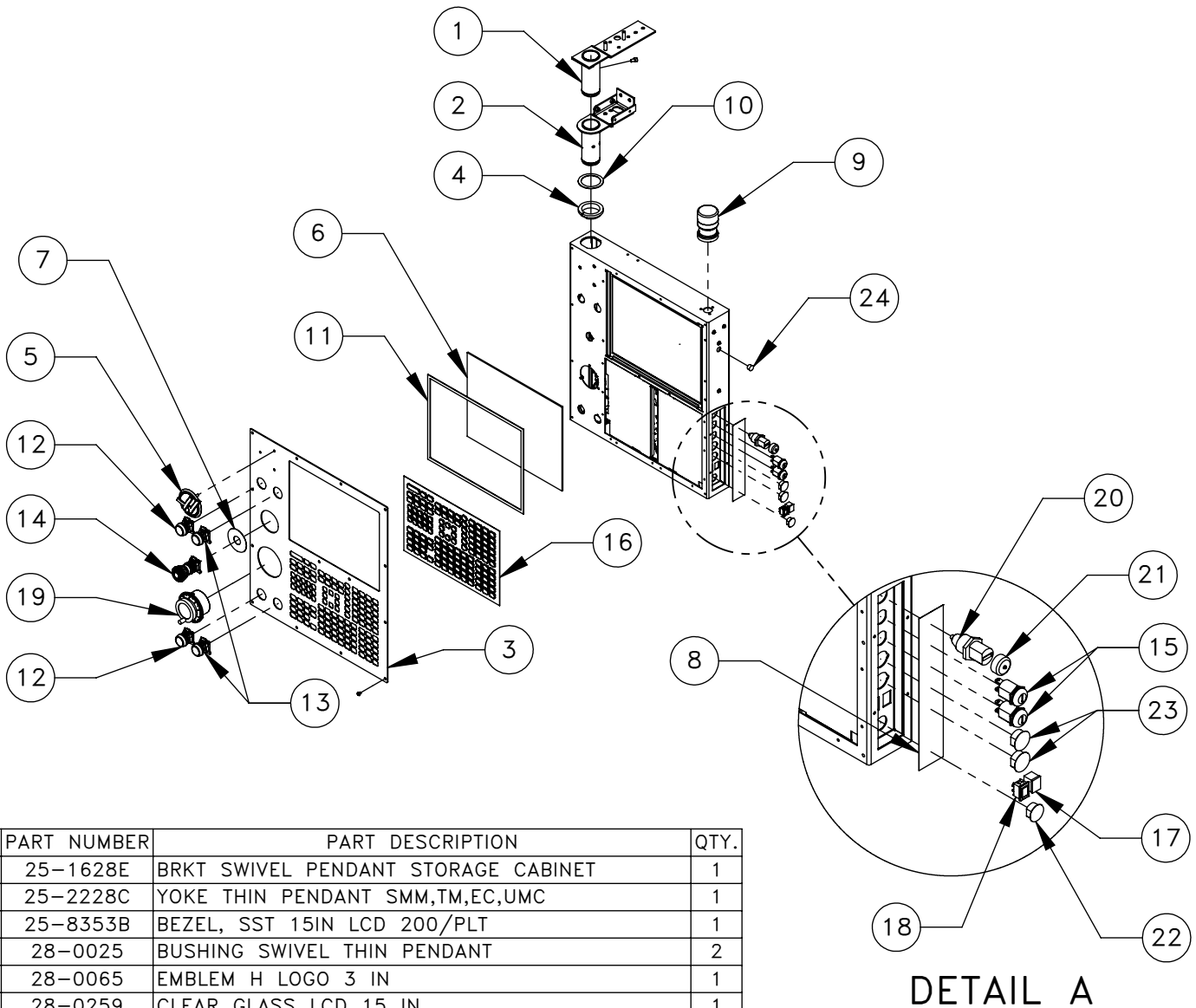


Go to parts.haascnc.com to get pricing and installation instructions for selected parts.



ITEM NO.	PART NUMBER	PART DESCRIPTION	QTY.
1	25-1628E	BRKT SWIVEL PENDANT STORAGE CABINET	1
2	25-2228C	YOKE THIN PENDANT SMM,TM,EC,UMC	1
3	25-8353B	BEZEL, SST 15IN LCD 200/PLT	1
4	28-0025	BUSHING SWIVEL THIN PENDANT	2
5	28-0065	EMBLEM H LOGO 3 IN	1
6	28-0259	CLEAR GLASS LCD 15 IN	1
7	29-0729	DECAL, PENDANT ESTOP	1
8	29-0923D	DECAL, PENDANT OPTIONS	1
9	32-5131	2LED BEACON ASSY PLASTIC 2LED BE	1
10	55-0008	WAVE WASHER 2.42 O.D. 1.872 I.D. 37LBS	1
11	57-0433	GASKET MONITOR 15 IN	1
12	61-0041	PB OPR GRN RND METAL 29.6mm DIA 22.3	2
13	61-0042	PB OPR RED RND METAL 29.6mm DIA 22.3	2
14	61-0043	PB OPR E-STOP 40MM MUSHRM HEAD 22.	1
15	61-0100	KEY SWITCH SPST 3/4 HOLE	2
16	61-0202	KEYPAD RUBBER LATHE	1
17	61-5000	PLUG DUMMY SWITCH SM	1
18	61-6000	BLACK PUSHBUTTON SWITCH SPNO	1
19	69-0100B	JOG HANDLE 100 PPR PULSE GENERATOR	1
20	74-2000	CBL PNL MNT USB EXT .5 M 28 AWG DATA/20A	1
21	79-0200	DUST CAP USB CABLE SST W/O KNUCKLE	1
22	59-1486	PLUG HOLE .750 DIA BLACK MAX .125	1
23	59-1488	PLUG HOLE .875 DIA BLACK MAX .125	2
24	59-6603	PLUG DOME .500 DIA BLACK MAX .125	1

Disclaimer: Not all parts are available for individual sale; some are part of an assembly. Assembly configuration is subject to change without notice.

SHEET 1 OF 2

DESCRIPTION

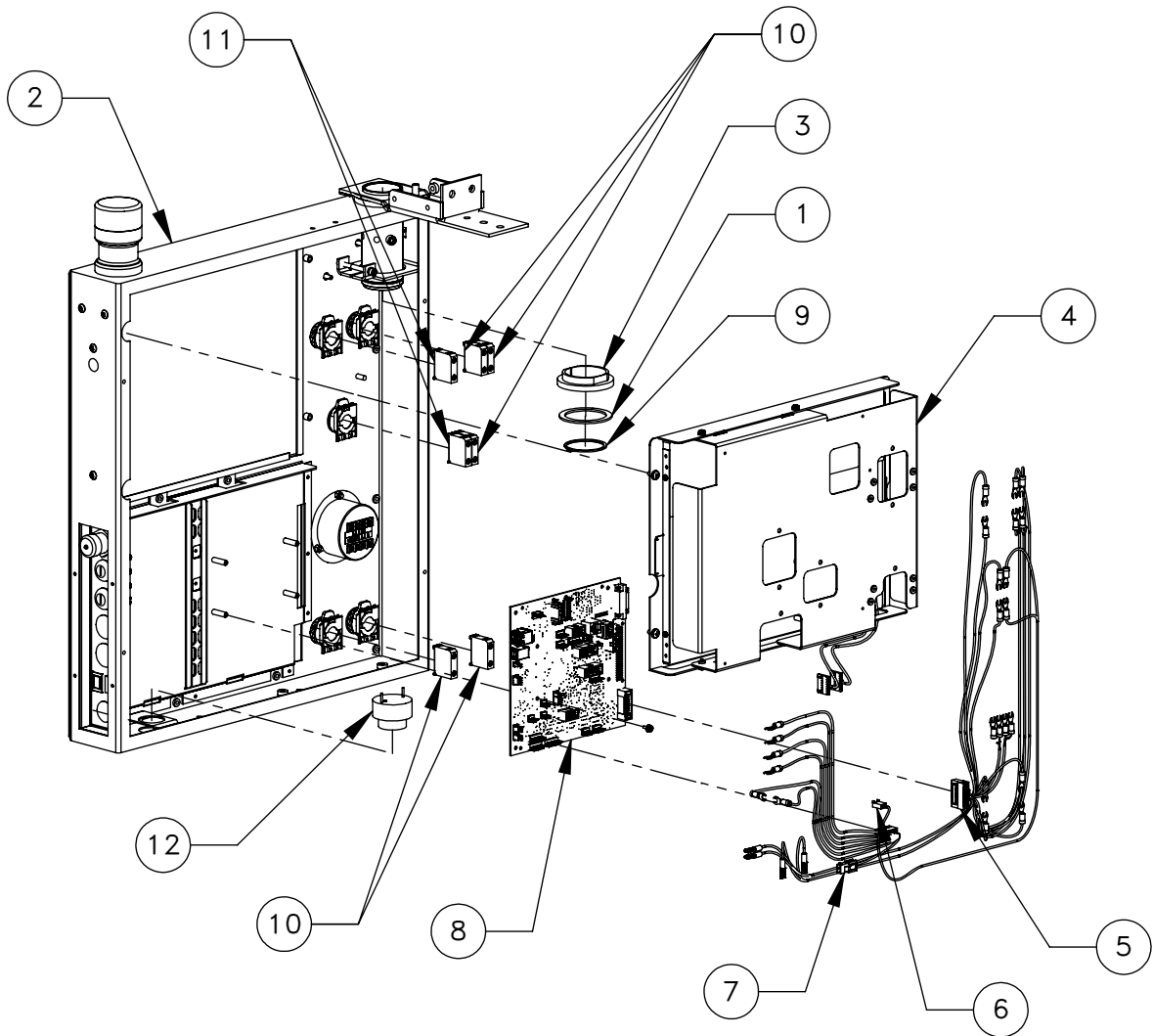
EFFECTIVE DATE

LATHE FRONT PANEL ASSEMBLY

JUN 2012

SAP DOC NO./VER: 10000073938/01

Go to parts.haascnc.com to get pricing and installation instructions for selected parts.



ITEM NO.	PART NUMBER	PART DESCRIPTION	QTY.
1	25-1421	WASHER BACKUP TP SWIVEL 25/BOX	1
2	25-1700C	PENDANT ENCL THIN	1
3	28-0025	BUSHING SWIVEL THIN PENDANT	2
4	32-1135A	LCD ASSY 15IN LG NO PSUP	1
5	33-0189	PENDANT HARNESS ASSEMBLY	1
6	33-4515	CBL REDUNDANCY E-STOP (N.O.) SW-SKBIF	1
7	33-6039A	CBL CE/KEY/2NDHOM/AUTO DR	1
8	34-4241F	SKBIF/RJH-C/VID CCA	1
9	56-0169	RTNG RING 1.175 SH TRU-ARC 5100-175	1
10	61-0046	PB CONTACT N.O. LOW VOLT 12-18AWG 5V 1mA	5
11	61-0047	PB CONTACT N.C. LOW VOLT 12-18AWG, 5V 1	2
12	87-6570	12VDC BEEPER W/VOL CONTRLFLOYD BELL LC-V	1

Disclaimer: Not all parts are available for individual sale; some are part of an assembly. Assembly configuration is subject to change without notice.

SHEET 2 OF 2

DESCRIPTION

EFFECTIVE DATE

LATHE FRONT PANEL ASSEMBLY

JUN 2012

SAP DOC NO./VER: 1000073938/01