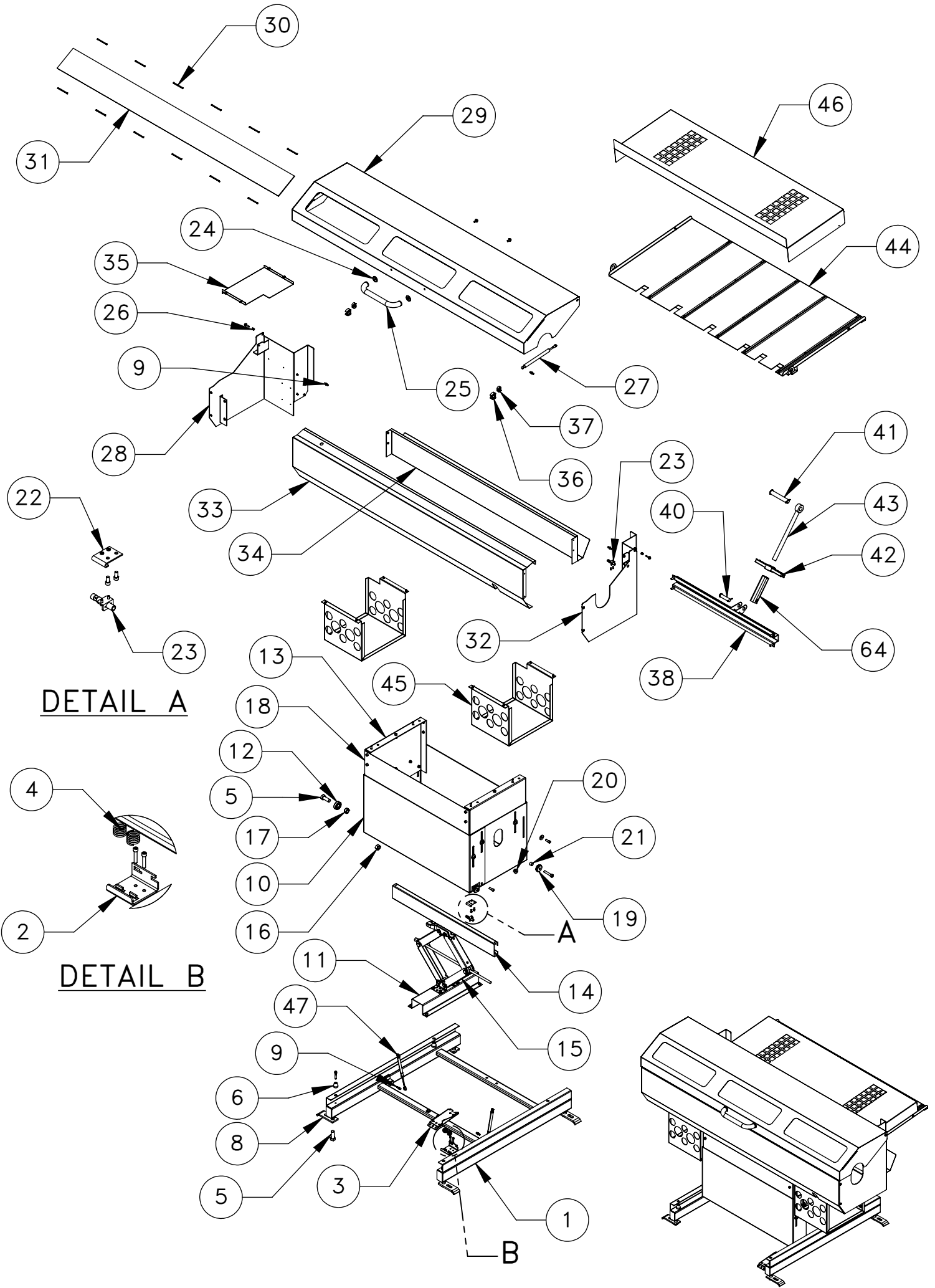


Go to parts.haascnc.com to get pricing and installation instructions for selected parts.



ITEM NO.	PART NUMBER	PART DESCRIPTION	QTY.
1	20-6394	BASE TRACK WELDMENT BARFEED	1
2	25-11021	FOOT PEDAL LATCH MOUNT BARFEED	1
3	25-11022	FOOT PEDAL LATCH BARFEED	1
4	59-0069	SPRING C0975-112-1000-M 15/16DIA X 1IN	2
5	43-0014	HHB 3/4-10 X 2 GRADE 8 GOLD ZI	6
6	20-4667	STANDOFF Cbalance BTM	4
8	25-10951	ANCHOR CLAMP, BARFEED	4
9	59-0008	BALL STUD GAS SPRING BS101-02 HA GUD	8
10	25-10944	CART SIDE BARFEED	2
11	25-10941	JACK BEAM BARFEED	1
12	51-2025	BEARING DP GROOVE 6304 20ID X 520D X 15	4
13	25-10942	CART END BARFEED	2
14	25-10943	CART CROSS BARFEED	1
15	59-1456	BAL-24010-U SCISSOR JACK BARFEED	1
16	46-1710	NUT 3/4-10 HEX	2
17	20-5253	SPACER COUPLER ST GEARED LT	2
18	25-10955	CART TOP COVER	1
19	54-0030	GUIDE WHEEL VF T/C CARRIAGE	2
20	46-4312	NUT 12MM-1.75 FLANGE HARDENED	2
21	59-4011	SPACER 17/32ID X 3/4OD X 9/16L	2
22	25-11020	LATCH STRIKER BARFEED	1
23	69-1733	PROX SW N.O. M12	3
24	28-0178	FERRULE DOOR HANDLE	2

ITEM NO.	PART NUMBER	PART DESCRIPTION	QTY.
25	22-8895	HANDLE DOOR SST	1
26	22-9256	BUSHING EXTRACTOR	MIN ORDER 200 4
27	59-0707	GAS SPRING 90 LB	2
28	25-10949	LEFT END HINGE ASSEMBLY	1
29	25-10946	OPERATOR DOOR BAR2015	1
30	59-0722	SPRING WINDOW RETAINER BFDR	12
31	28-0302	WINDOW DOOR BAR2015	1
32	25-10947	RIGHT END HINGE ASSEMBLY	1
33	25-10948	MAIN ENCLOSURE BOTTOM	1
34	25-10964	BACK COVER BARFEEDER	1
35	25-10966	MOTOR SHIELD BARFEEDER	1
36	59-1514	ROUND BAR CLAMP 3/4" TO 1 1/8"	2
37	59-1513	ROUND BAR CLAMP 3/8" TO 5/8"	2
38	25-10956	BEAM, CHARGING TABLE, BARFEED	1
39	49-1201	CLEVIS PIN 3/4 X 3	1
40	20-6503	ADJUSTING TUBE, CHARGING TABLE, BARFEED	1
41	49-1202	1 X 6 CLEVIS PIN	1
42	49-1020	NUT 1-5 ACME WING MCMaster 92428A	1
43	20-6502	ADJUSTING ROD, CHARGING TABLE, BARFEED	1
44	25-10954	CHARGING TABLE BARFEED	1
45	25-10963	LINER RACK	2
46	25-11107	CHARGING TABLE COVER, BARFEED	1
47	59-1500	GAS SPRING 20 LB 12L 4S	2

Disclaimer: Not all parts are available for individual sale; Some are part of an assembly. Assembly configuration is subject to change without notice.

SHEET 1 OF 4

DESCRIPTION

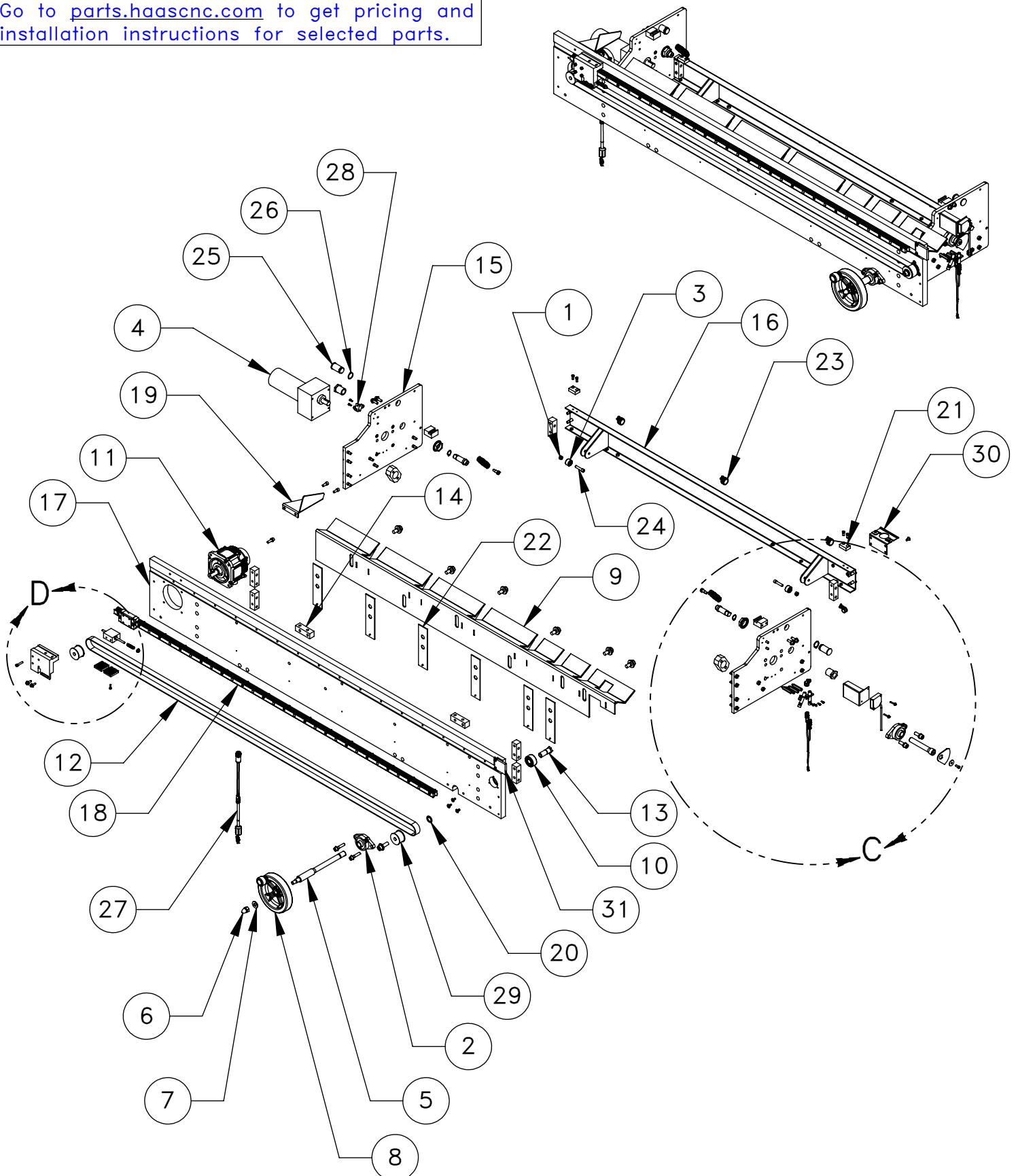
EFFECTIVE DATE

HAAS BAR FEEDER (ENCLOSURE)

SEPT-2015

SAP DOC NO./VER: 1000065279/02

Go to parts.haascnc.com to get pricing and installation instructions for selected parts.



NOTE: SEE DETAIL C & D ON SHEET 4 OF 4

ITEM	PART NUMBER	PART DESCRIPTION	QTY.
1	46-1702	NUT 5/16-18 NYLON LOCK	2
2	51-1015	BEARING 3/4 FLANGE	2
3	54-0010	CAM FOLWR 1.00 HOLW .312 T/C	2
4	32-0011	MOTOR ASSY BARFEEDER 50T T/C SHUTTLE	1
5	20-6458	BAR HEIGHT CRANK SHAFT BARFEED	1
6	46-0022	NUT ACORN HIGH CROWN 1/2-13 X 5/8 BL	1
7	45-1740	WASHER 1/2 HARD	2
8	30-30467	ASSEMBLY, HAND WHEEL, DIE CAST 6-3/4 DIA	1
9	25-10952	TRANSFER TABLE BARFEED	1
10	51-7001	R BRG ANG M20-47-20.6 5204 DOUBLE ROW	1
11	62-10011	SRVOMTR YASK SIGMA-5 09 W/O BRAKE	1
12	54-0147	BELT AT5 BARFEED	1
13	20-6496	PUSHER DRIVE IDLER SHAFT BARFEED	1
14	20-6437	CORNER BRACKET BARFEED	8
15	20-6452	SIDE PLATE BARFEED	2
16	25-10950	SUPPORT, REAR, BARFEED	1
17	20-6497	MAIN CHASSIS PLATE BARFEED	1
18	50-0078	LINEAR GUIDE 25 X 1843	1
19	25-10959	SHUTTLE LATCH RELEASE PLATE	1
20	45-0116	WASHER 3/4 STEEL, .094 THK	1
21	20-6409	STOP BLOCK BARFEED	2
22	28-0307	SLIDER TRANSFER TRAY BARFEED	6
23	59-2043	CABLE CLAMP 7/8 RICHCO SPN-14	3
24	40-1715	SHCS 5/16-18 X 1 1/2 DOMESTIC ONLY	2
25	20-6500	PIVOT PIN, TABLE, BARFEED	2
26	56-0085	RTNG RING 1.000 SH TRU-ARC 5100-100	2
27	32-0484	19FT SIGMA 5 ENCODER CABLE	1
28	69-1801	PROX SW NC 3 WIRE 1.5' W/CONN	1
29	20-6494	SPKT AT5-38AT5/30-2 0.749 BORE BARFEED	2
30	25-10420	SINGLE CONDUIT HOLDER BRACKET	1
31	69-1837	PHOTO-RELAY/SENSOR 6.1M 120VAC 50/60HZ	1

Disclaimer: Not all parts are available for individual sale; Some are part of an assembly. Assembly configuration is subject to change without notice.

SHEET 2 OF 4

DESCRIPTION

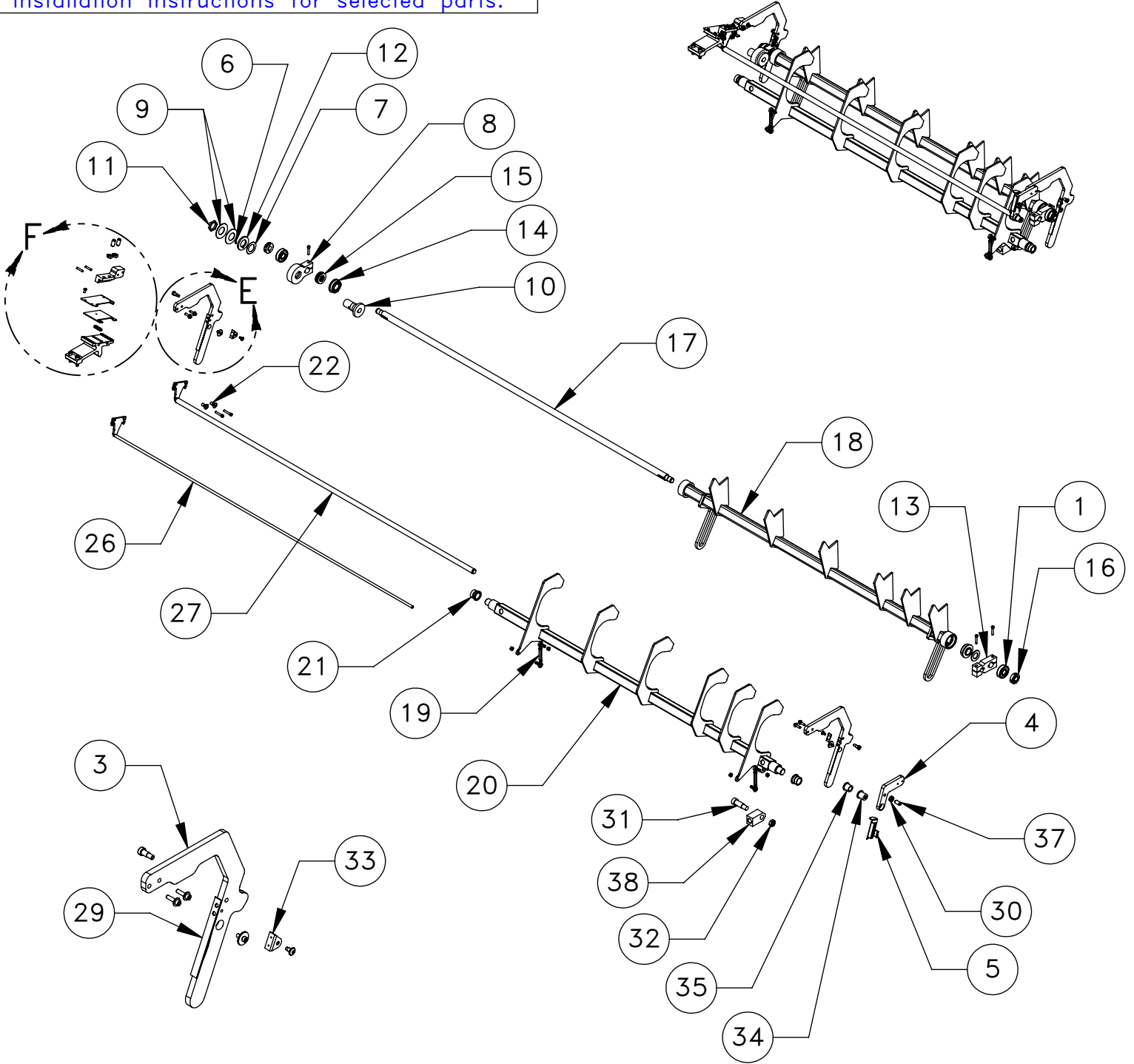
EFFECTIVE DATE

HAAS BAR FEEDER (INTERNAL)

SEPT-2015

SAP DOC NO./VER: 1000065279/02

Go to parts.haascnc.com to get pricing and installation instructions for selected parts.



DETAIL E

DETAIL F

ITEM NO.	PART NUMBER	PART DESCRIPTION	QTY.
1	51-2025	BEARING DP GROOVE 6304 20ID X 52OD X 15	2
2	20-6506	HOLDER BLOCK CUE BLADE	1
3	20-6513	PUSH ROD ARM, BARFEED	2
4	20-6515	PUSH ROD BUSHING HOLDER, BARFEED	1
5	25-10965	BUSHING LATCH, BARFEED	1
6	48-0005	DOWEL PIN 3/16 X 3/8 SOLID NOMINAL FIT	1
7	45-2020	WASHER 1 1/4 NYLON .031THK X 2.000	2
8	20-6486	MOTOR END CLUTCH LINKAGE	1
9	55-0010	SPRING WASHER B2500-080	2
10	20-6495	HUB SLIP CLUTCH BARFEED	1
11	20-0216	NUT SLIP CLUTCH 50 TAPER	1
12	22-7477	PRESSURE PLATE	1
13	20-6533	CAM END LIFT LINKAGE	1
14	51-1017	BEARING 1 NICE STANDARD FLANGE SERIES (2
15	45-0013	WASHER 1 STEEL .120THK X1.7550	6
16	51-2012	BEARING LOCKNUT N-04-F	2
17	20-6399	SHAFT, LIFTING ARM, BARFEED	1
18	20-6400	LIFTER, BARFEED	1
19	59-1502	TURNBUCKLE ASSY 4.0L 1/4-28	2
20	20-6397	POSITIONER, BARFEED	1
21	20-0356A	1" CONTROL SHAFT BUSHING	2
22	20-6508	LOCATING BUSHING, CUE BLADE, BARFEED	2
23	25-10957	LOCK PLATE CUE BLADE	1
24	25-10958	COVER PLATE CUE SLIDE LOCK BARFEED	1
25	20-6507	PUSHER BLOCK, SHUTTLE	1
26	30-11683	PUSH ROD 3/8, BARFEED	1
27	30-11682	PUSH ROD 3/4, BARFEED	1
28	59-0952	SPRING COMPRESSION .375 O.D. X 2.0	1
29	25-10961A	SPRING FLAT .036T .6W 6.0L	4
30	46-1665	NUT 1/2-13 JAM	3
31	49-10011	SHLDR BOLT 3/4 X 1 1/2 X 5/8-11	1
32	46-1010	NUT 5/8-11 HEX PLT	1
33	25-11072	RETAINER FLAT SPRING BARFEED	2
34	20-6527	3/8 BUSHING, BARFEED	1
35	20-1046	BUSHING 3/4 PUSHER SHAFT	1
36	48-1668	DOWEL PIN 1/4 X 1 1/4 DOMESTIC ONLY	2
37	49-0121A	SPRING PLUNGER 1/2-13 BALL NOSE 6-12 LB	3
38	51-10062	ROD END EYE 3/4 3/4-16F	1

Disclaimer: Not all parts are available for individual sale; Some are part of an assembly. Assembly configuration is subject to change without notice.

SHEET 3 OF 4

DESCRIPTION

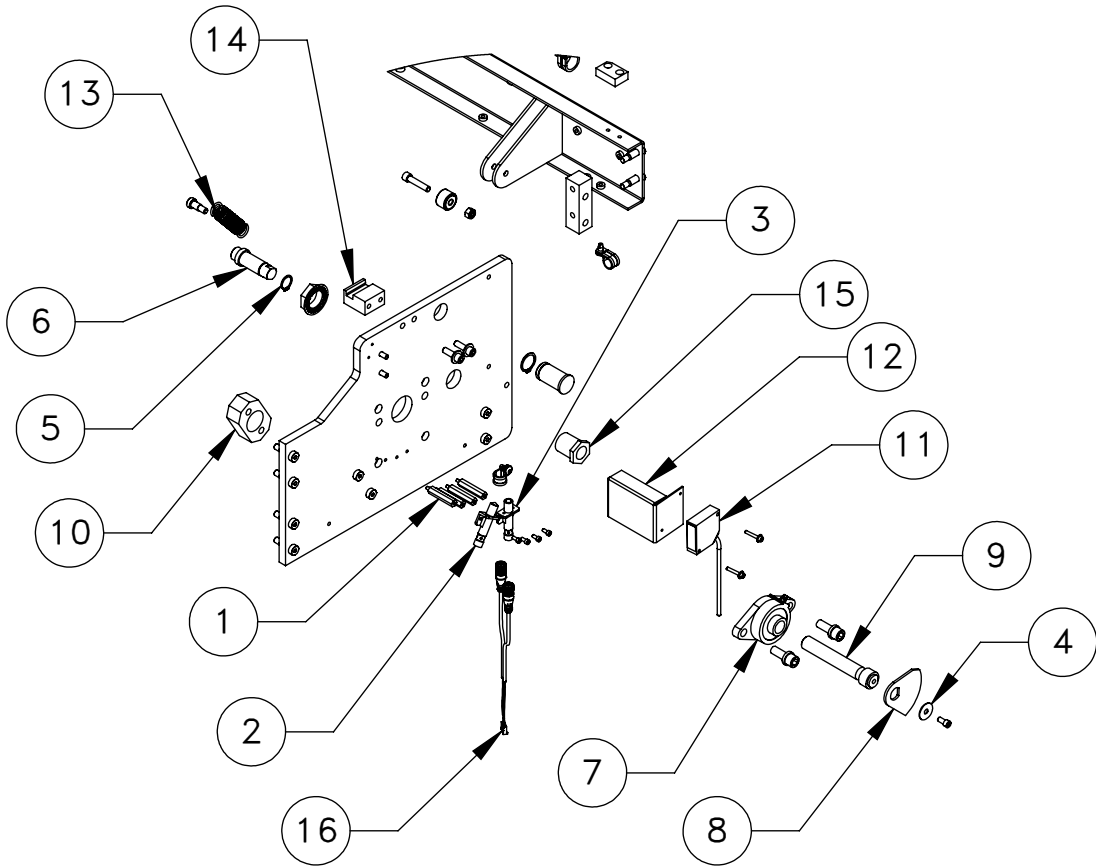
EFFECTIVE DATE

HAAS BAR FEEDER (INTERNAL)

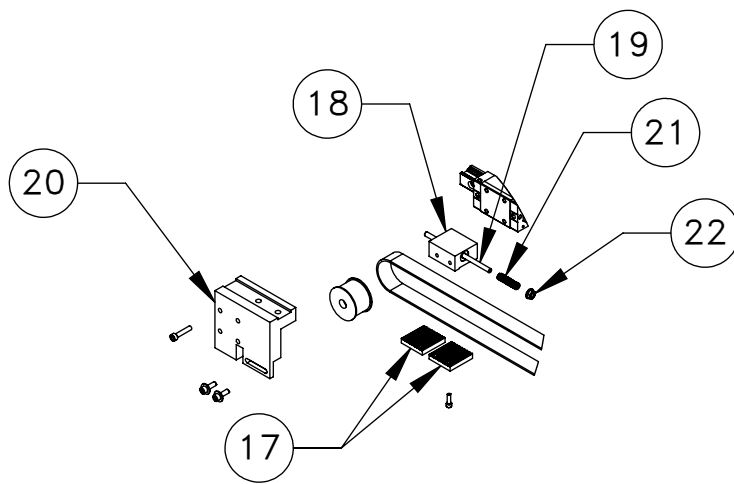
SEPT-2015

SAP DOC NO./VER: 1000065279/02

Go to parts.haascnc.com to get pricing and installation instructions for selected parts.



DETAIL C



DETAIL D

ITEM NO.	PART NUMBER	PART DESCRIPTION	QTY.
1	63-0201	STANDOFF 3/8 X 1.812 8-32 M/F ALUM	4
2	69-1733	PROX SW N.O. M12	1
3	69-1734	PROX SW N.C. M12	1
4	45-1850	WASHER 1/4 FENDER PLT 1 OD	1
5	56-2086	RTNG RING .750 SH TRU-ARC 5100-75	2
6	20-6499	SHAFT, PUSH ROD ARM, BARFEED	2
7	51-1015	BEARING 3/4 FLANGE	2
8	25-10953A	LIFTER POSITION PLATE BARFEED	1
9	20-6401	END SHAFT, BARFEED	1
10	20-6457	END SHAFT MOUNT BLOCK BARFEED	2
11	32-7464	CBL 200 END OF BAR PHOTO SENSOR N.C.	1
12	25-11030	BRKT BAR MEAS SW BARFEED	1
13	59-1501	SPRING EXT .843 OD X 3.81 L	2
14	20-6404	PUSH ARM STOP BARFEED	2
15	20-6469	BULKHEAD BUSHING NBF	2
16	33-2016	CBL 240 BARFEED INPUTS M12	1
17	54-0148	CLAMP PLATE AT5 BELT 25MM WIDE	2
18	20-6511	TENSION PLATE BELT DRIVE BARFEED	1
19	47-0006	STUD 1/4-20 X 5	1
20	20-6510	TROLLEY BELT DRIVE BARFEED	1
21	59-0952	SPRING COMPRESSION .375 O.D. X 2.0	1
22	46-0015	NUT 1/4-20 FLANGE W/NYLON PATCH Z	1

Disclaimer: Not all parts are available for individual sale; Some are part of an assembly. Assembly configuration is subject to change without notice.

SHEET 4 OF 4

DESCRIPTION

EFFECTIVE DATE

HAAS BAR FEEDER (INTERNAL)

SEPT-2015

SAP DOC NO./VER: 1000065279/02