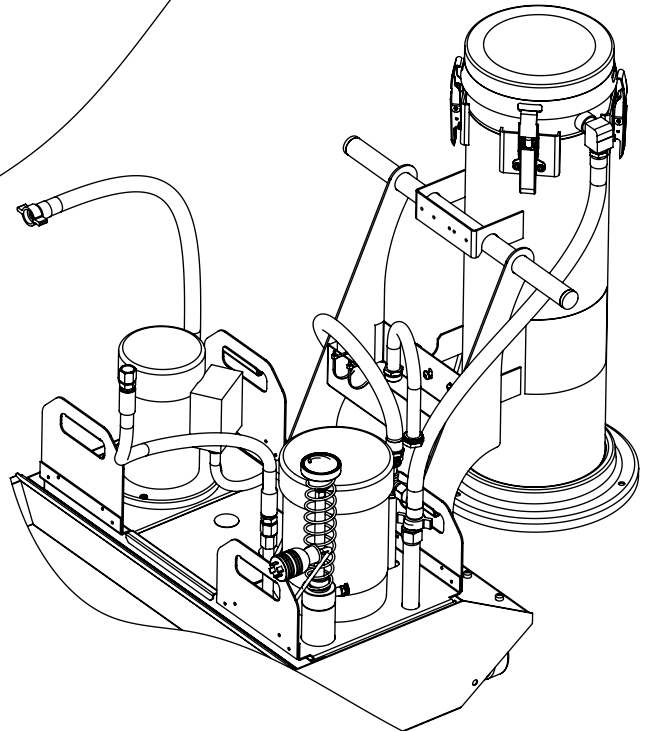
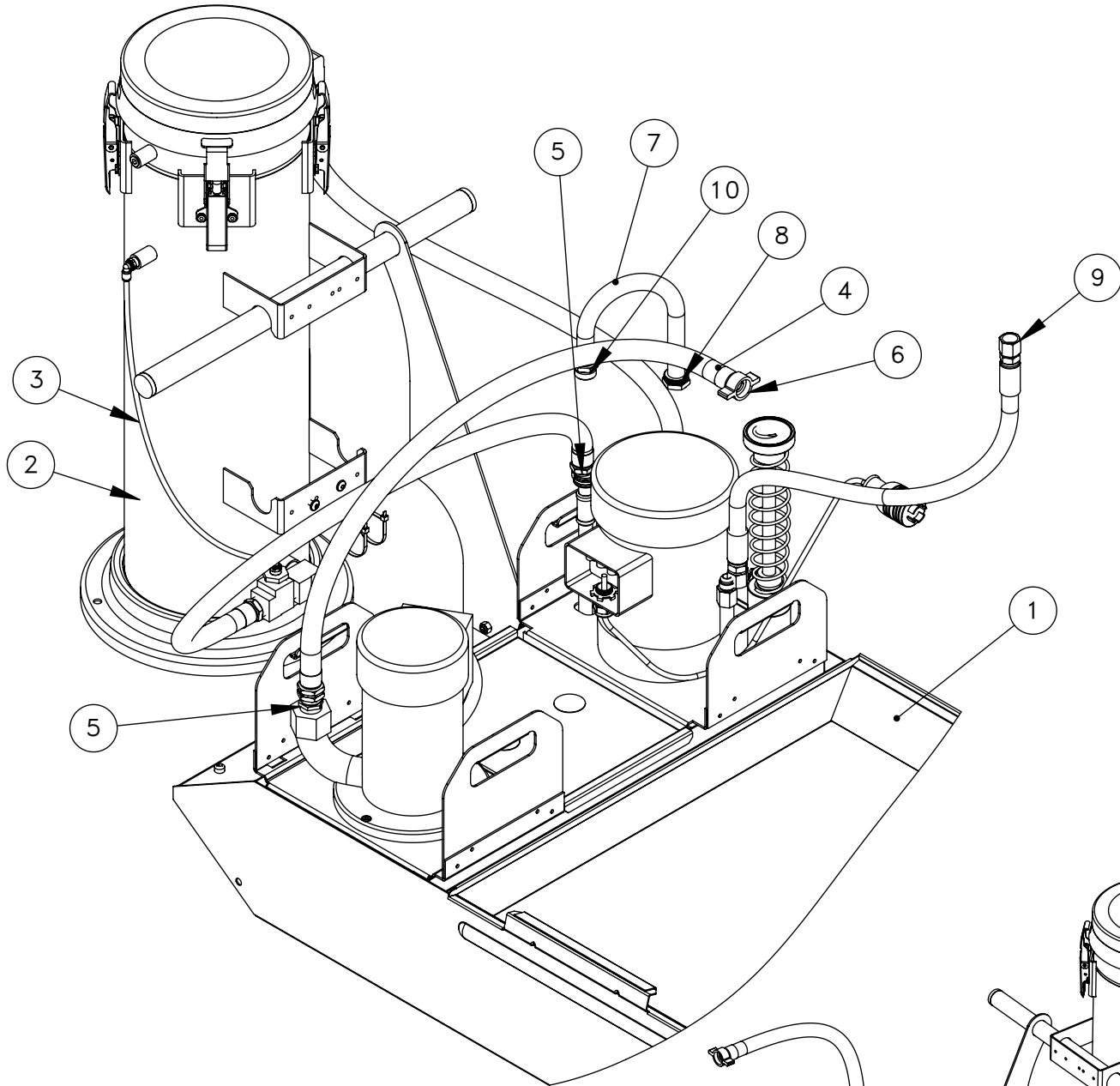


Go to parts.haascnc.com to get pricing and installation instructions for selected parts.



| ITEM NO. | Part Number | PART DESCRIPTION | QTY. |
|----------|-------------|-------------------------------------|------|
| 1 | 30-11452A | 55 GAL CLNT TANK KIT | 1 |
| 2 | 30-8878A | AUX FILTER ASSY FOR HPC300 | 1 |
| 3 | 58-0940 | TUBE .250 OD NYLON CLEAR .150 ID | 1 |
| 4 | 58-2048 | WIRE HELIX PVC SUCTION HOSE 3/4 ID | 1 |
| 5 | 58-3668 | FITG GARDEN-3/4-M X NPT-3/4-M | 2 |
| 6 | 20-5713 | WINGED HOSE PUMP FITTING | 2 |
| 7 | 58-1808 | TSC INTAKE TUBE ASSEMBLY | 2 |
| 8 | 58-3620 | FITG GARDEN-3/4-F X HOSE BARB-1/2 B | 2 |
| 9 | 58-0696 | FITG CRIMP SWIVEL 1/2 X 1/2 SAE 4 | 2 |
| 10 | 58-3621 | FITG HOSE BARB-1/2 X GH-3/4-M | 2 |

Disclaimer: Not all parts are available for individual sale; Some are part of an assembly. Assembly configuration is subject to change without notice.

SHEET 1 OF 1

DESCRIPTION

EFFECTIVE DATE

LATHE HPC-300 AUXILIARY FILTER ASSEMBLY

JUN-2015

SAP DOC NO./VER: 1000021191/01