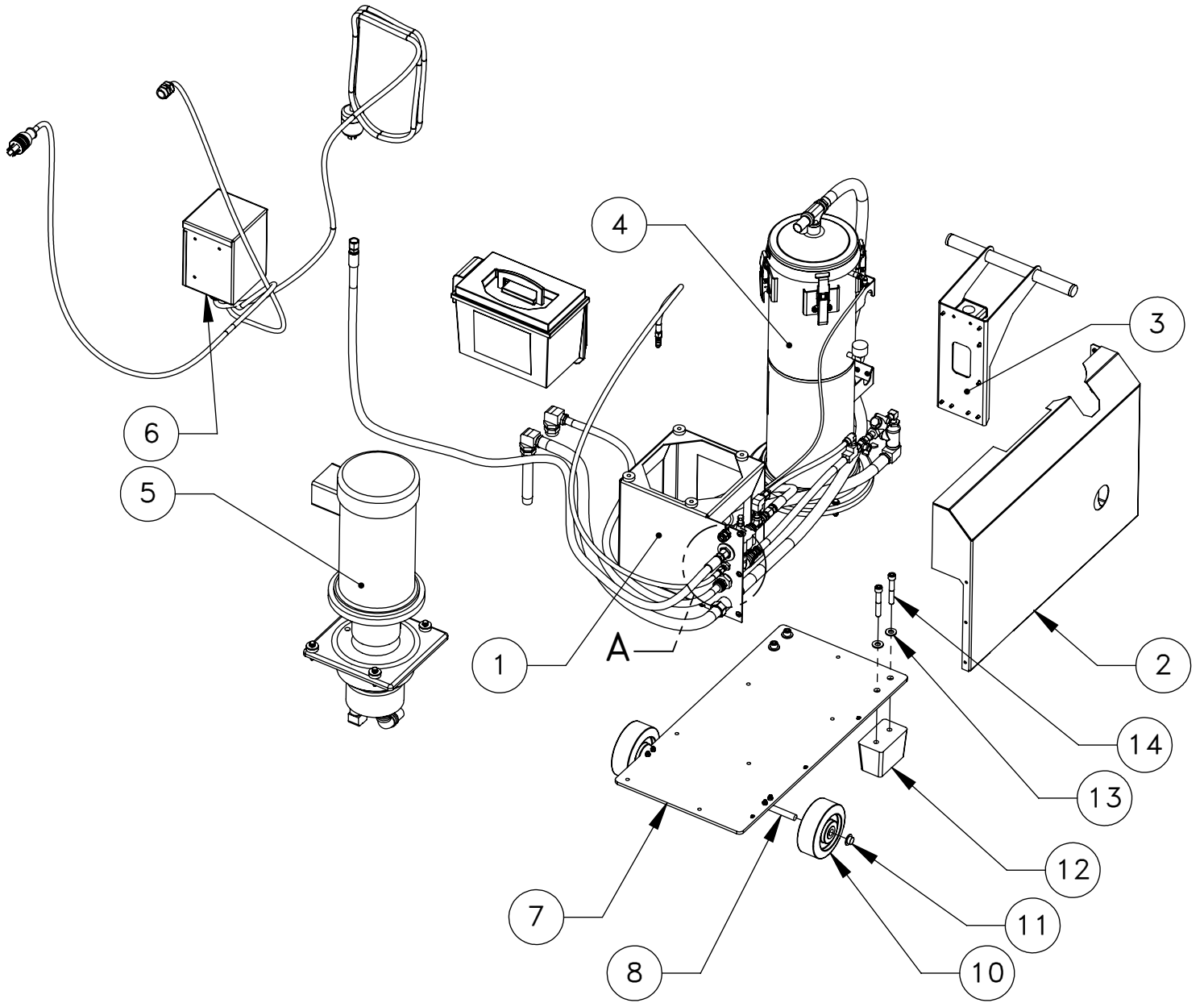
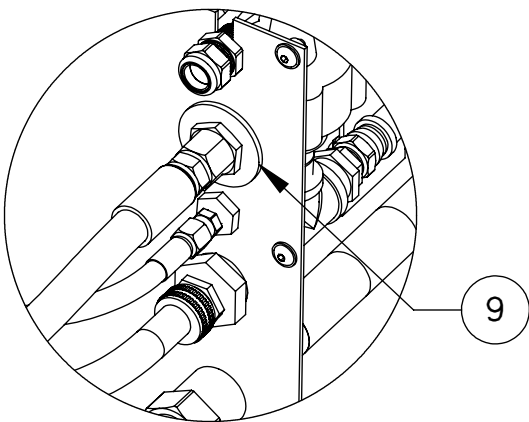


Go to parts.haascnc.com to get pricing and installation instructions for selected parts.



TOP ASSEMBLY



DETAIL A
SCALE 1 : 4

ITEM NO.	Part Number	PART DESCRIPTION	QTY.
1	25-1797A	TSC 1000 PUMP STND	1
2	25-1799A	TSC 1000 ENCL	1
3	25-1800A	TSC 1000 HNDL	1
4	30-4723B	AUXILIARY FILTER ASSY TSC/HPC 1000PS	1
5	30-7467A	CLNT PUMP ASSY 1000PSI	1
6	32-0648B	J-BOX ASSY TSC1000PSI W/O THERML PROTEC	1
7	25-1796A	TSC 1000 BASE PLATE	1
8	14-2413	DWG 1045 5/8" DIA X 21 3/8"	1
9	45-1725	WASHER 3/4 FLAT USS PLT	3
10	59-1114	WHEEL, PHENOLIC, 6" DIA X 2" X 3/4" AXL	2
11	49-0072	CAP, STEEL, 5/8" SHFT DIA	2
12	59-0792	RUBBER BUMPER PUMP BASE	2
13	45-1740	WASHER 1/2 HARD	4
14	40-0018	SHCS 1/2-13 X 3 1/4	4

Disclaimer: Not all parts are available for individual sale; Some are part of an assembly. Assembly configuration is subject to change without notice.

SHEET 1 OF 5

DESCRIPTION

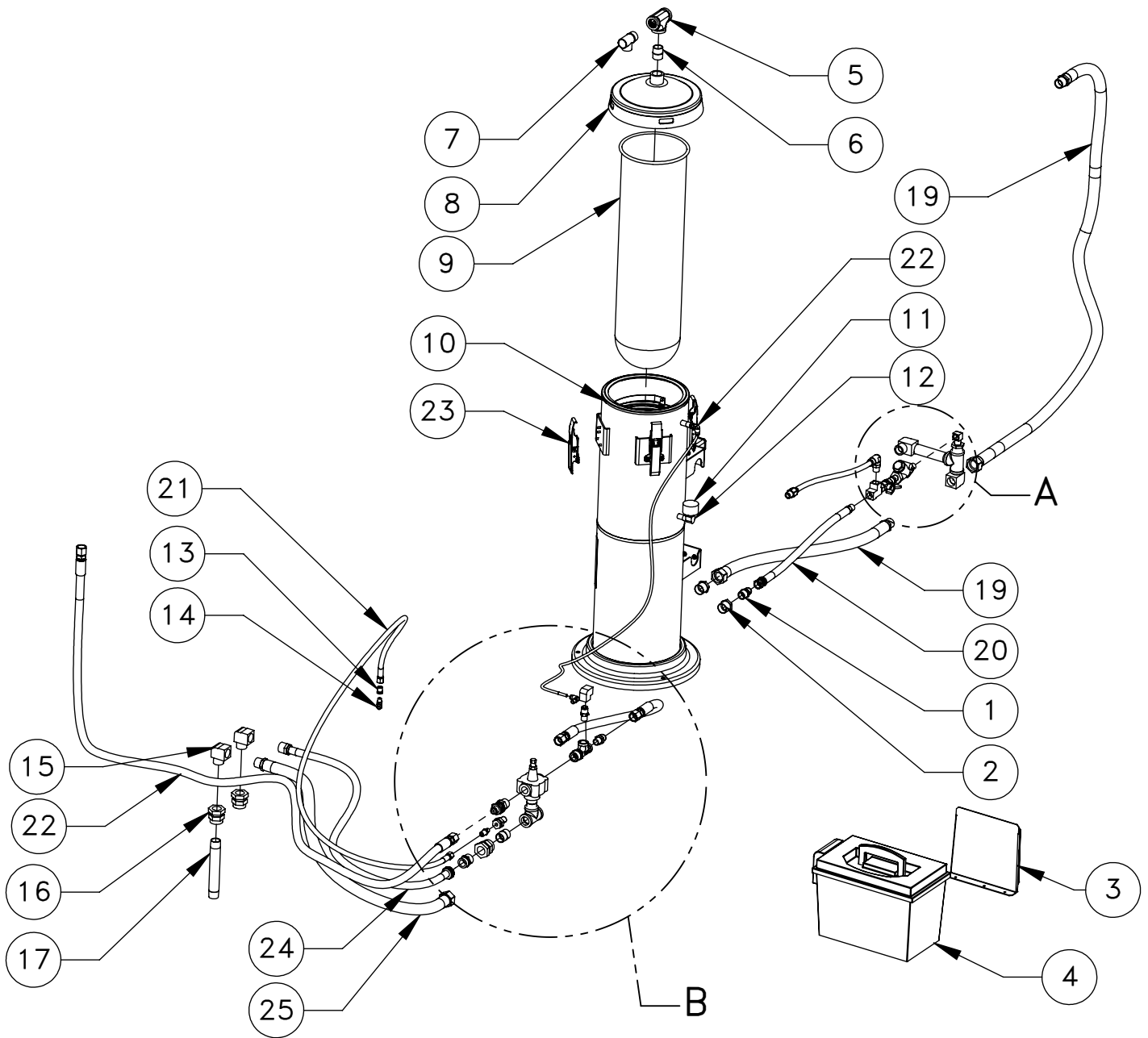
EFFECTIVE DATE

HPC 1000/TSC 1000 PUMP AUXILIARY FILTER ASSEMBLY

OCT-2009

SAP DOC NO./VER: 1000006626/01

Go to parts.haascnc.com to get pricing and installation instructions for selected parts.



FILTER ASSEMBLY

ITEM NO.	Part Number	PART DESCRIPTION	QTY.
1	58-0081	FITG SAE 45-8-M X NPT-1/2-M BRASS	1
2	58-3715	FITG NPT-1/2-F X NPT-3/4-M REDUC	2
3	25-7726A	FILTER BAG BOX MOUNT AF TANK 50/ BOX	1
4	59-0880	FILTER BAG BOX MTM PRODUCT SDB	1
5	58-1708	FITG NPT-3/4-F X NPT-3/4-F X NPT	1
6	58-0120	NIPPLE 3/4 NPT X 1 1/4 BRASS VIBRA SEAL	3
7	59-0873	PRESSURE RELIEF VALVE 3/4 NPT-M INLET	1
8	20-3374B	AF TANK LID SPUN / STAMPED	1
9	93-9130	FILTER BAG #2 25 MICRON	4
10	57-0462	SEAL, MOLDED, AF TANK LID	1
11	58-3050	FITG LBO-1/4 X NPT-1/8-M X 90	2
12	58-6039	GAUGE VACUUM 0-30 IN-HG X NPT-1/4-M BOT	1
13	58-3618	FITG NPT-1/4-F X NPT-1/4-M 90 BR	1
14	58-3670	FITG REDUCER NPT-1/4-M X NPT-1/8-F	2
15	58-16705	FITG NPT-1/8-M X NPT-1/8-M 90 BR	1
16	58-1696	FITG NPT-3/4-F X NPT-3/4-M 90 BR	4
17	58-0872	FITG BKHD NPT-3/4-F ANCHOR COUPLING	3
18	58-0967	NIPPLE 3/4NPTx 6.5 Galvanized Vibra Seal	1
19	58-1234	HOSE 1 ID PVC SPIRAL 100FT PER ROLL	2
20	58-1322	Tube .75 OD x .12 wall	1
21	30-5938	HOSE 1/4 ID NYALL 500PSI	1
22	58-0696	HOSE 1/2ID POLYMERIC TUBE2000 PSI RATED	1
23	59-0842	AF TANK LID LATCH	4
24	58-1237	Tube .75 OD x .12 wall	1
25	58-1235	HOSE 1 ID PVC SPIRAL 100FT PER ROLL	1

Disclaimer: Not all parts are available for individual sale; Some are part of an assembly. Assembly configuration is subject to change without notice.

SHEET 2 OF 5

DESCRIPTION

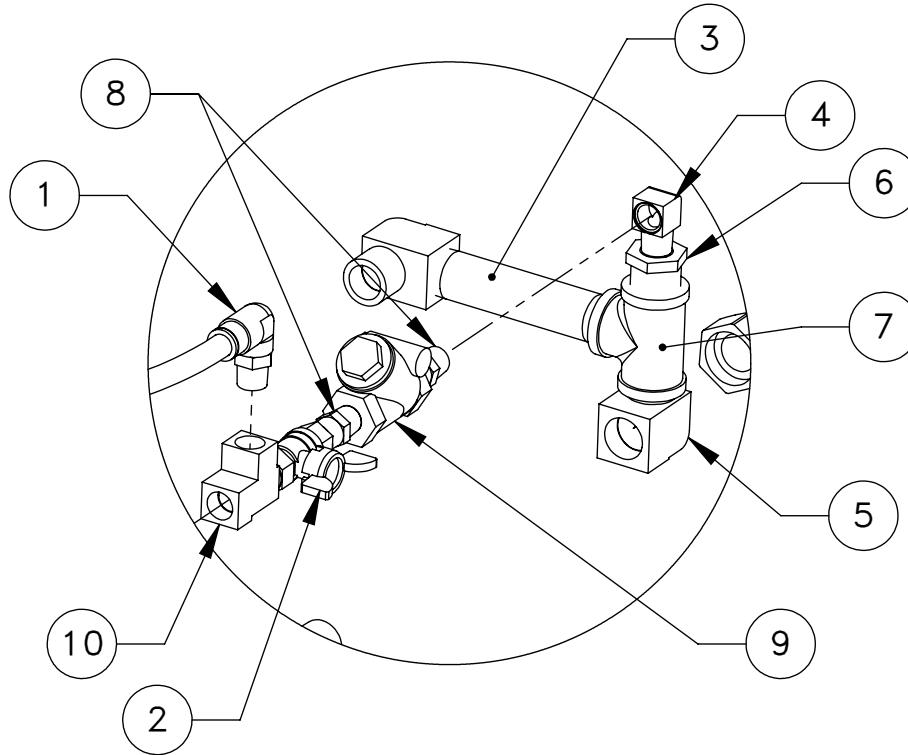
EFFECTIVE DATE

HPC 1000/TSC 1000 PUMP AUXILARY FILTER ASSEMBLY

OCT-2009

SAP DOC NO./VER: 1000006626/01

Go to parts.haascnc.com to get pricing and installation instructions for selected parts.



DETAIL A
SCALE 1 : 4

FILTER ASSEMBLY

ITEM NO.	Part Number	PART DESCRIPTION	QTY.
1	58-0698	FITG HIFLO ELBW1/2X3/8NPT	1
2	58-0326	3/8 NPTF FULL FLOW BALL VALVE	1
3	58-0581	NIPPLE 3/4 NPT X 5 GALV	1
4	58-0652	replaced by 58-0584	1
5	58-1696	FITG NPT-3/4-F X NPT-3/4-M 90 BR	4
6	58-1709	FITG REDUCER NPT-3/4-M X NPT-3/8-F	1
7	58-1726	FITG NPT-3/4-F X NPT-3/4-F X NPT	2
8	58-3600	NIPPLE 3/8 NPT HEX BRASS (350PCS/	2
9	59-2228	3/8 NPT BRASS SWNG VLVE	1
10	58-3003	FITG NPT-3/8-F X NPT-3/8-M X NPT	1

Disclaimer: Not all parts are available for individual sale; Some are part of an assembly.
Assembly configuration is subject to change without notice.

SHEET 3 OF 5

DESCRIPTION

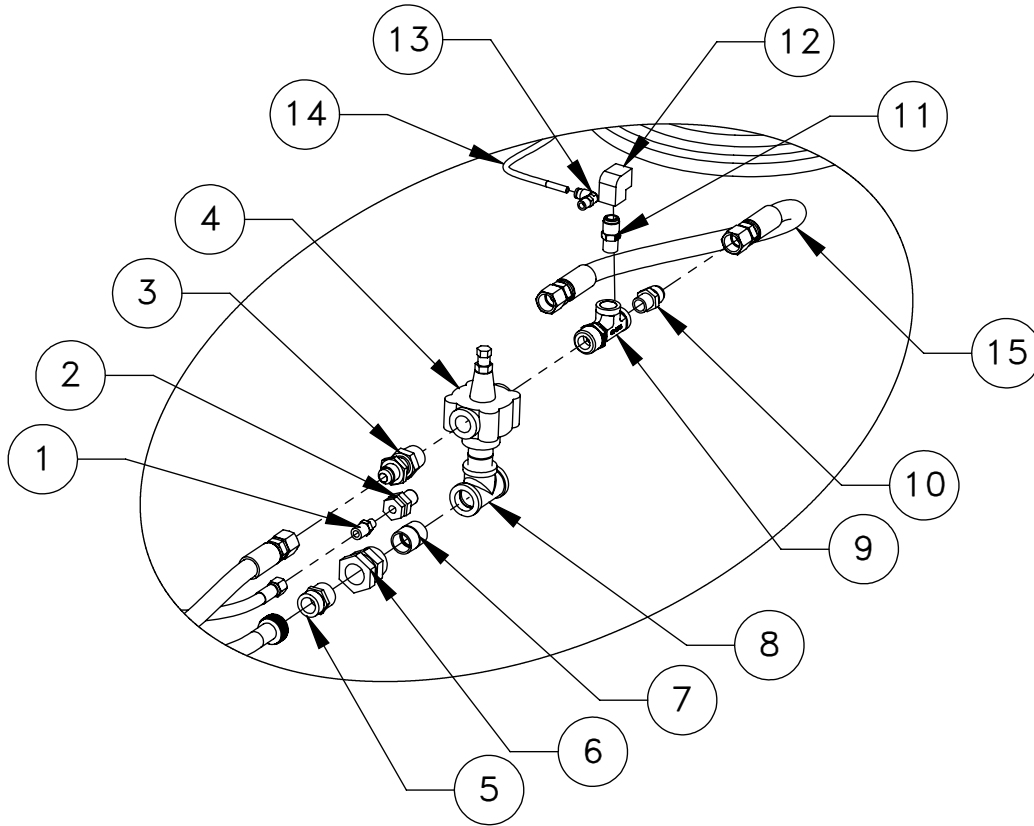
EFFECTIVE DATE

HPC 1000/TSC 1000 PUMP AUXILARY FILTER ASSEMBLY

OCT-2009

SAP DOC NO./VER: 1000006626/01

Go to parts.haascnc.com to get pricing and installation instructions for selected parts.



DETAIL B
SCALE 1 : 8

FILTER ASSEMBLY

ITEM NO.	Part Number	PART DESCRIPTION	QTY.
1	58-1674	FITG NPT-1/8-M X NPT-1/4-M	1
2	58-16760	FITG BKHD NPT-1/8 X .625 DIA	1
3	58-0802	UNION BULHEAD 3/4 MP-1/2 SAE-M	1
4	52-0164	REGULATING VALVE, 75-1500	1
5	58-3668	FITG GARDEN-3/4-M X NPT-3/4-M	1
6	58-0872	FITG BKHD NPT-3/4-F ANCHOR COUPLING	1
7	58-0120	NIPPLE 3/4 NPT X 1 1/4 BRASS VIBRA SEAL	2
8	58-1726	FITG NPT-3/4-F X NPT-3/4-F X NPT	1
9	58-1315	FITG 3/8NPT-M X 3/8NPT-F X3/8NPT-F TEE	1
10	58-0027	FITG SAE45-8-M X NPT-3/8-M CONN	1
11	58-1313	FITG ORFS-6-M X NPT 3/8M .031 SS	1
12	58-3062	FITG NPT-3/8-F X NPT-3/8-F 90 BR	1
13	58-3050	FITG LBO-1/4 X NPT-1/8-M X 90	1
14	58-1223	HOSE 1/4 OD POLYETHYLENE	1
15	30-7536	HOSE 1/2ID POLYMERIC TUBE2000 PSI RATED	1

Disclaimer: Not all parts are available for individual sale; Some are part of an assembly.
Assembly configuration is subject to change without notice.

SHEET 4 OF 5

DESCRIPTION

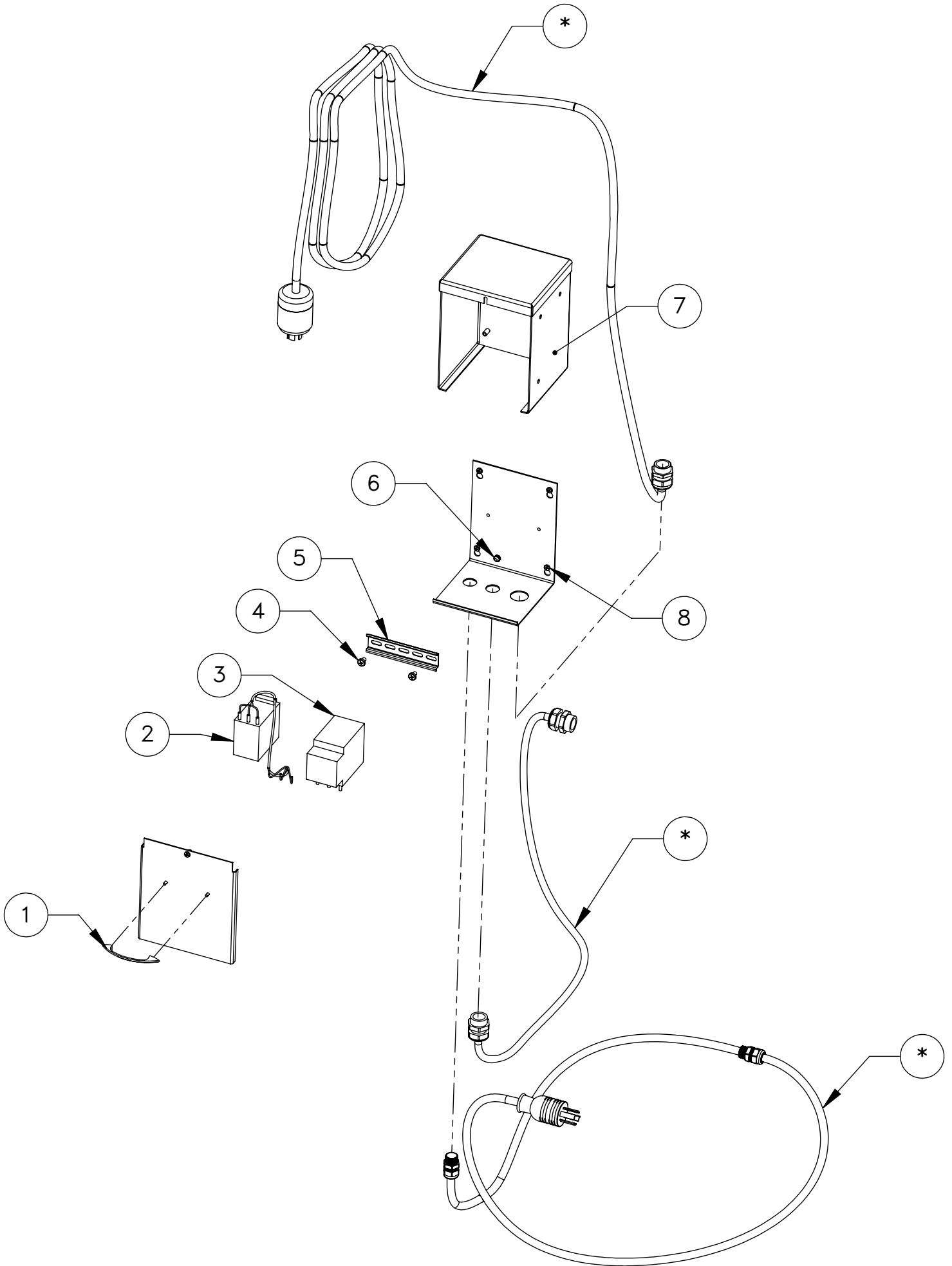
EFFECTIVE DATE

HPC 1000/TSC 1000 PUMP AUXILARY FILTER ASSEMBLY

OCT-2009

SAP DOC NO./VER: 1000006626/01

Go to parts.haascnc.com to get pricing and installation instructions for selected parts.



J-BOX ASSEMBLY

ITEM NO.	Part Number	PART DESCRIPTION	QTY.
1	59-0694	HANDLE GLOVE BOX	1
2	67-9147	CONTACTR IEC AX_NC 37A 3POLE W/240V COIL	1
3	61-7365A	BREAKER 20A 3PH DIN RAIL HI INRSH LNG DE	1
4	41-16095	PPHS 1/4-20 X 3/8 ZINC	2
5	20-1689	DIN RAIL 5 IN LONG	1
6	46-1620	NUT 10-32 HEX W/LCKWASHER	1
7	25-1798A	TSC 1000 CNTRL BOX	1
8	41-1647	PPHS 10-32 X 7/16 ZINC PLATED STL	5
9	33-5124B	CBL CNTCTR-TSC1000 MTR W	1
10	32-5127A	CBL940 TSC1000 CNTCTR 24	1
11	33-5122B	33-5122B.SLDASM PWRCRD 412 W/L15-20P 13	1

Disclaimer: Not all parts are available for individual sale; Some are part of an assembly. Assembly configuration is subject to change without notice.

SHEET 5 OF 5

DESCRIPTION

EFFECTIVE DATE

HPC 1000/TSC 1000 PUMP AUXILARY FILTER ASSEMBLY

OCT-2009

SAP DOC NO./VER: 1000006626/01