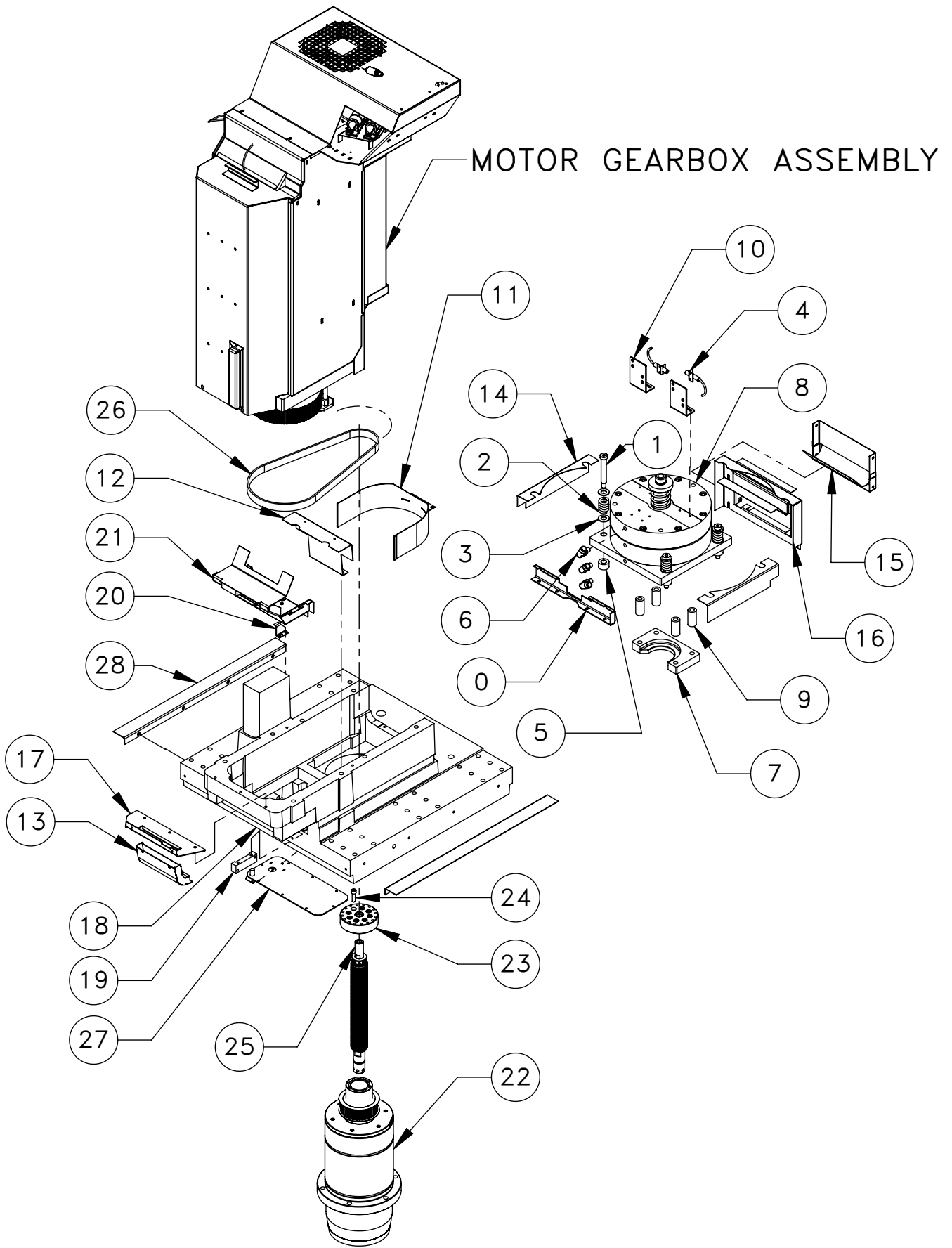


Go to parts.haascnc.com to get pricing and installation instructions for selected parts.



ITEM NO.	DESCRIPTION	QTY.
1	SHLDR BOLT 5/8 X 3 1/2	4
2	SPRING COMPRESSION ASC SPRNG CV125	4
3	WASHER 5/8 FLAT SAE PLT	8
4	PROX SW, NC 2WR 1.0M W/BRKT	2
5	SPACER TRP 50T	4
6	FITG LBO-1/2 X NPT-1/4-M X 90	3
7	FORK LIFT SPINDLE	1
8	TRP CYLINDER	2
9	SPACER	4
10	SWITCH MOUNTING BRACKET 50/BOX	2
11	UPPER AIR DEFLECTOR	1
12	MID AIR DEFLECTOR 5/12X12X12" BOX	1
13	TRANSFER DUCT SPINDLE EC-1600/YZT	1
14	TRP SIDE CAPS	2
15	AIR INTAKE CAP EC1600-YZT 50/PLT	1
16	AIR INTAKE BASE EC1600YZT	1
17	LOWER MOUNTING BRACKET EC-1600/YZT	1
18	MACHINING SPINDLE HEAD EC-1600YT	1
19	READ HEAD MOUNT Y-AXIS EC-1600	1
20	PRX SNSR TRIP FLAG VF Z-AXIS 250/BX	1
21	BELT ACCESS PANEL EC-1600/YZT	1
22	SPINDLE HOUSING, 50T CARTRIDGE	1
23	CAP TOP SPINDLE	1
24	SHCS 3/8-16 X 1 1/4	8
25	DRAWBAR ASSY 10K 50T	1
26	DRV BELT PCGT 8MGT-1200-36	1
27	ENCODER COVER	1
28	CHIP GUARD Y-AX L/R EC-1600	2

Disclaimer: Not all parts are available for individual sale; Some are part of an assembly. Assembly configuration is subject to change without notice.

SHEET 1 OF 2

DESCRIPTION

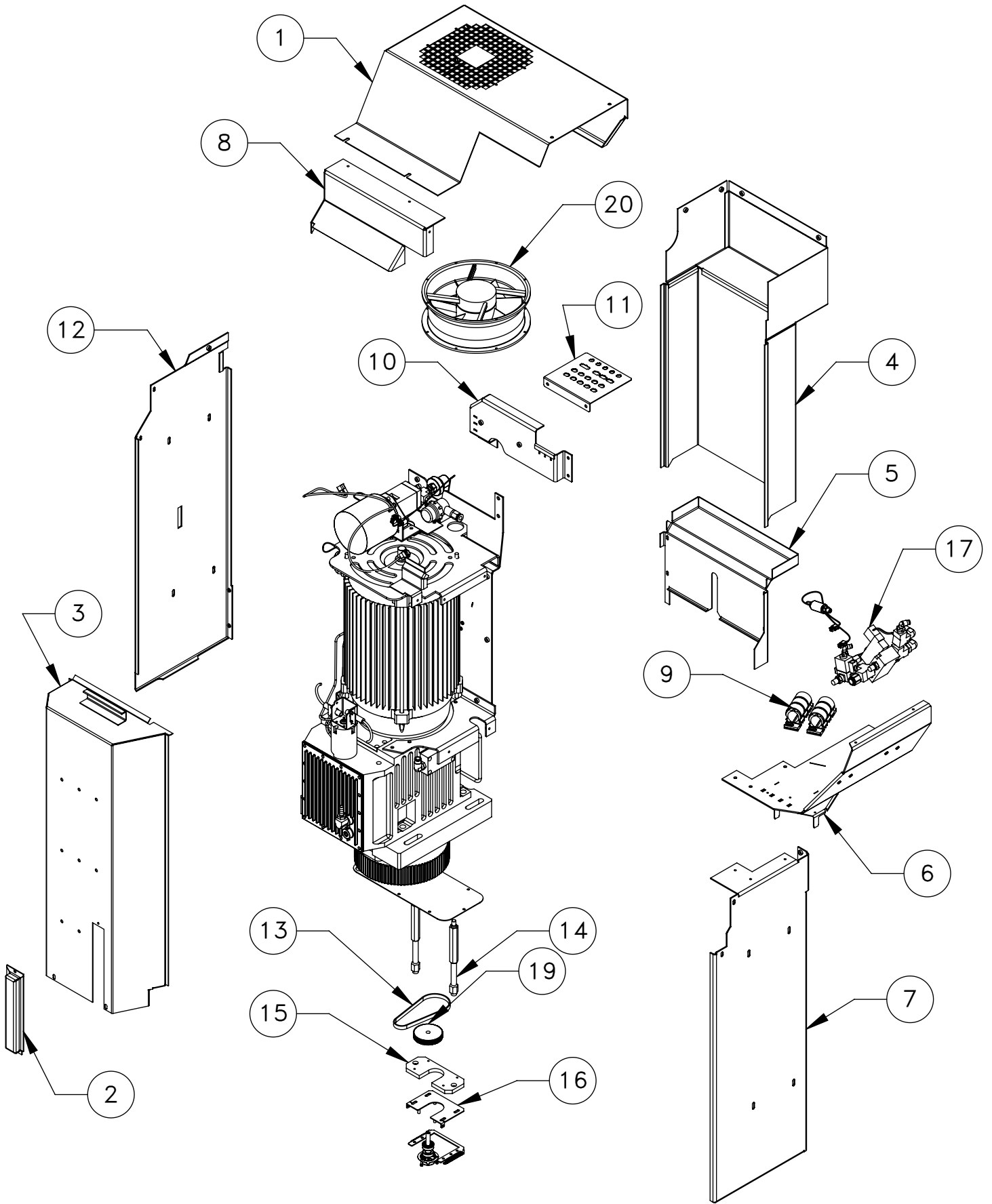
EFFECTIVE DATE

EC-1600 SPINDLE HEAD ASSEMBLY 10000 RPM

NOV-2016

SAP DOC NO./VER: 1000007697/02

Go to parts.haascnc.com to get pricing and installation instructions for selected parts.



MOTOR GEARBOX ASSEMBLY

ITEM NO.	DESCRIPTION	QTY.
1	FAN HOUSING	1
2	DRAIN ACCESS PANEL	1
3	LOWER GEARBOX/MOTOR COVER EC-1600/YZT	1
4	UPPER GEARBOX/MTR CVR EC-1600YZT 6/PLT	1
5	SHROUD CAP 5/18X18X12" BOX	1
6	FAN HOUSING-SIDE	1
7	LEFT SIDE SHROUD SUPPORT	1
8	FAN HOUSING INTERM PNL EC1600-YZT	1
9	STRN RLF 22-27MM CBL GRIPKABELSCHLEPP #2	4
10	INTERNAL CABLE TRAY EC1600-YZT 10/BOX	1
11	CONNECTION PNL EC1600YZT 40/22X17X12" BX	1
12	RIGHT SHROUD SUPPORT	1
13	ME-ENCODER BELT	1
14	STANDOFF ENCODER SPRING PLATE50T	2
15	PLATE ENCODER SPRING MOUNTEC-1600 10K	1
16	ENCODER SPRING MOUNT 50T GEARBOX 50/BX	1
17	SOL VALVE ASSY TRP 50T	1
18	HAAS MAGNETIC ENCODER (SHAFTED)	1
19	TIMING PULLEY .375 BORE	1
20	FAN 10 600CFM	1

Disclaimer: Not all parts are available for individual sale; Some are part of an assembly. Assembly configuration is subject to change without notice.

DESCRIPTION

EFFECTIVE DATE

EC-1600 SPINDLE HEAD ASSEMBLY 10000 RPM

NOV-2016

SAP DOC NO./VER: 1000007697/02