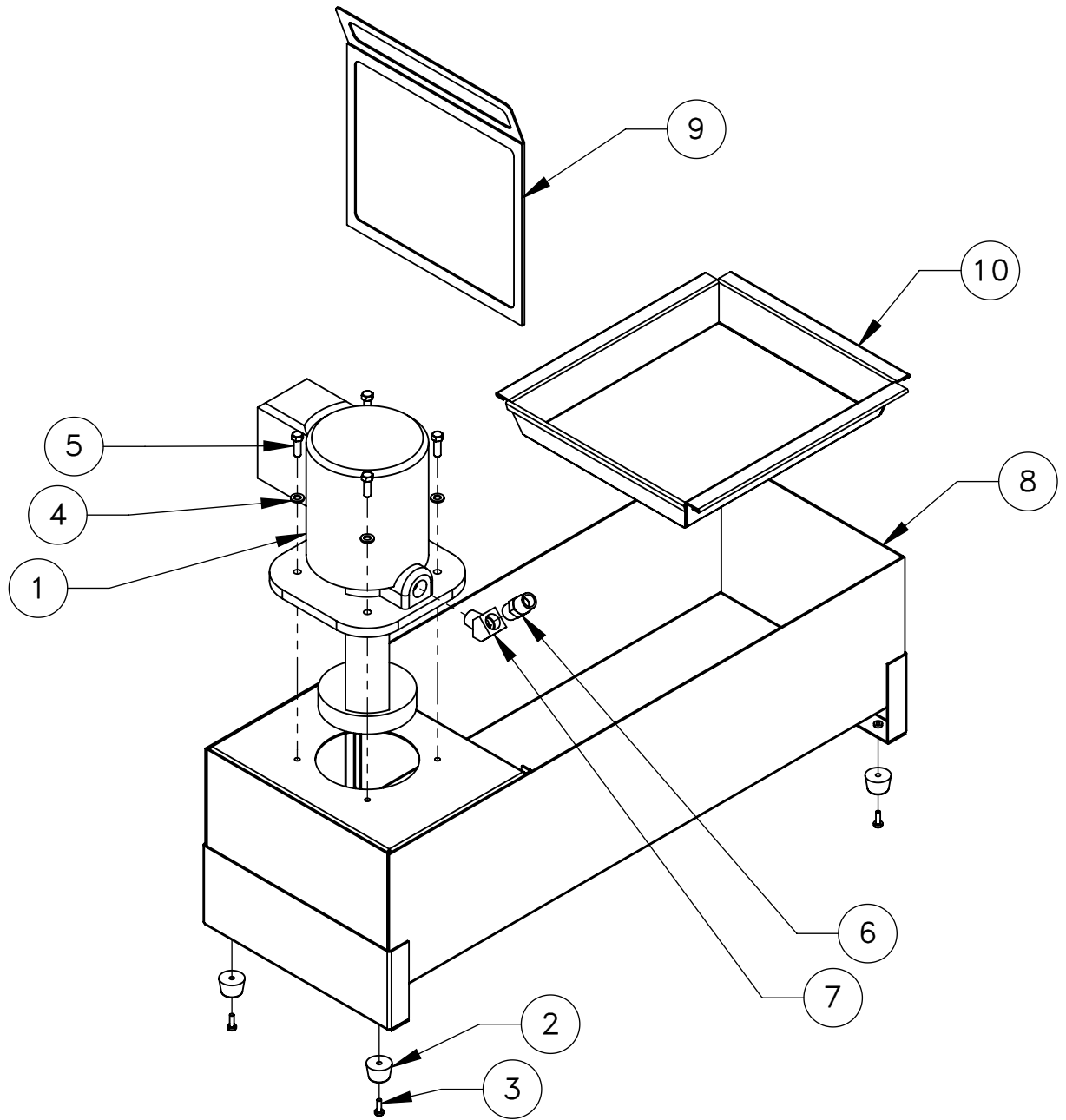


Go to parts.haascnc.com to get pricing and installation instructions for selected parts.



ITEM NO.	Part Number	PART DESCRIPTION	QTY.
1	90-6002B	FOR DETAILS SEE COOLANT 1/8 HP PUMP DRAWING	1
2	59-1041	LEGS CONTROL	4
3	41-1603	PPHS 8-32 X 1/2	4
4	45-1800	WASHER 1/4 SPLT LOCK PLT MED	4
5	43-1000	HHB 1/4-20 X 3/4 GRADE 5 PLATED	4
6	58-3600	NIPPLE 3/8 NPT X 1 7/16 HEX BRASS	1
7	58-1721	FITG NPT-3/8-F X NPT-3/8-M 45 BR	1
8	25-6723B	5 GAL CLNT TANK	1
9	25-0194	FILTER COOLANT TANK	1
10	25-9463A	CHIP BASKET, 5 GAL TANK TM-1/2	1

Disclaimer: Not all parts are available for individual sale; Some are part of an assembly. Assembly configuration is subject to change without notice.

SHEET 1 OF 1

DESCRIPTION

EFFECTIVE DATE

TM-1/2 COOLANT TANK 5 GALLON

MAY-2007

SAP DOC NO./VER: 1000075479/01