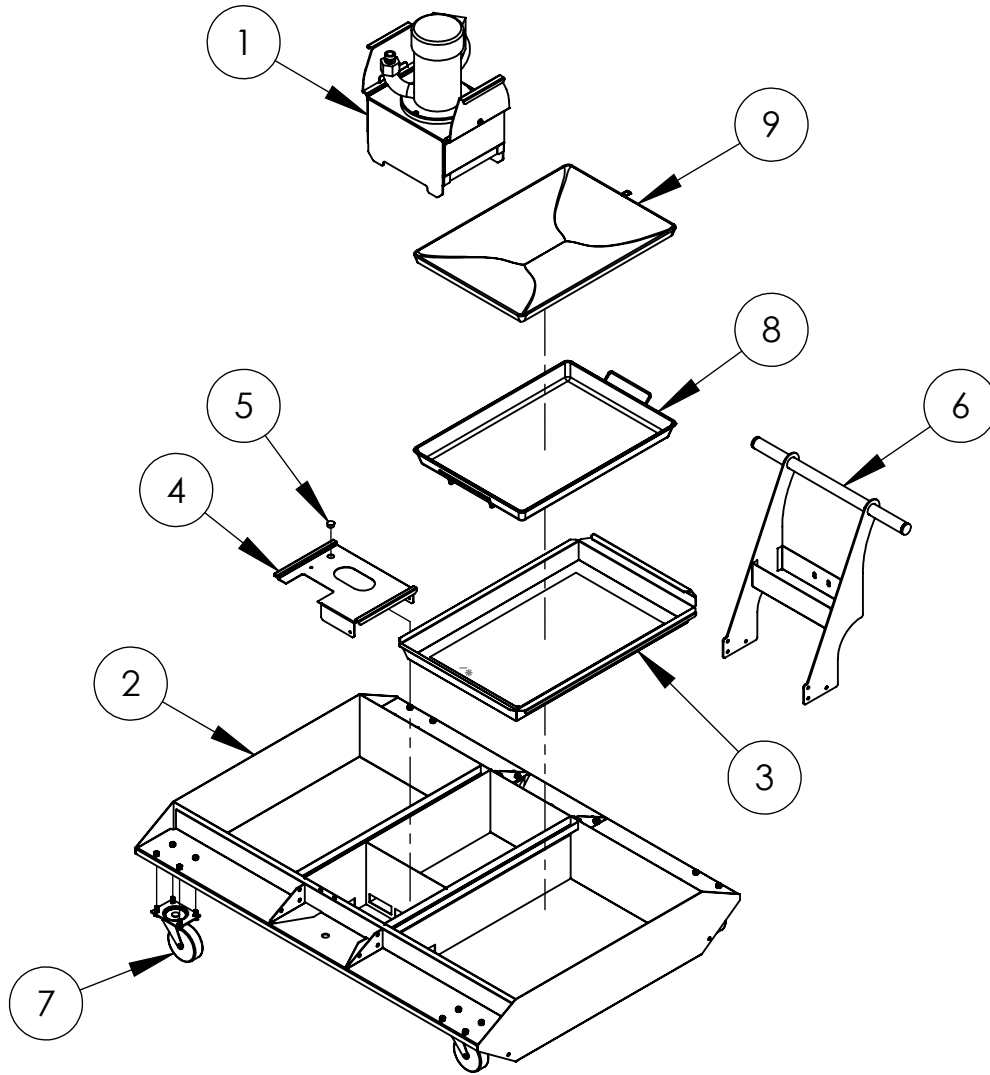


Go to parts.haascnc.com to get pricing and installation instructions for selected parts.



ITEM NO.	PART NUMBER	PART DESCRIPTION	QTY.
1	30-11346A	PUMP/MOTOR ASSY W/BOX & STAND	1
2	25-10843	COOLANT TANK BASE DT-1	1
3	25-7758F	CLNT TANK CHIP TRAY	1
4	25-10904	TANK LID SINGLE LVL SENSOR DT-1	1
5	59-1480	PLUG HOLE .688 DIA BLACK	1
6	25-3979	CLNT TANK HANDLE	1
7	59-0886	4 SWIVEL CASTER	4
8	25-3798	WIRE BASKET CHIP TRAY LG	1
9	59-1279	CHIP BASKET STRAINER	1

Disclaimer: Not all parts are available for individual sale; some are part of an assembly. Assembly configuration is subject to change without notice.

DESCRIPTION
CLNT TANK STD 45G

SHEET 1 OF 1

EFFECTIVE DATE

MAR-2016

SAP DOC NO./VER: 1000074179/01