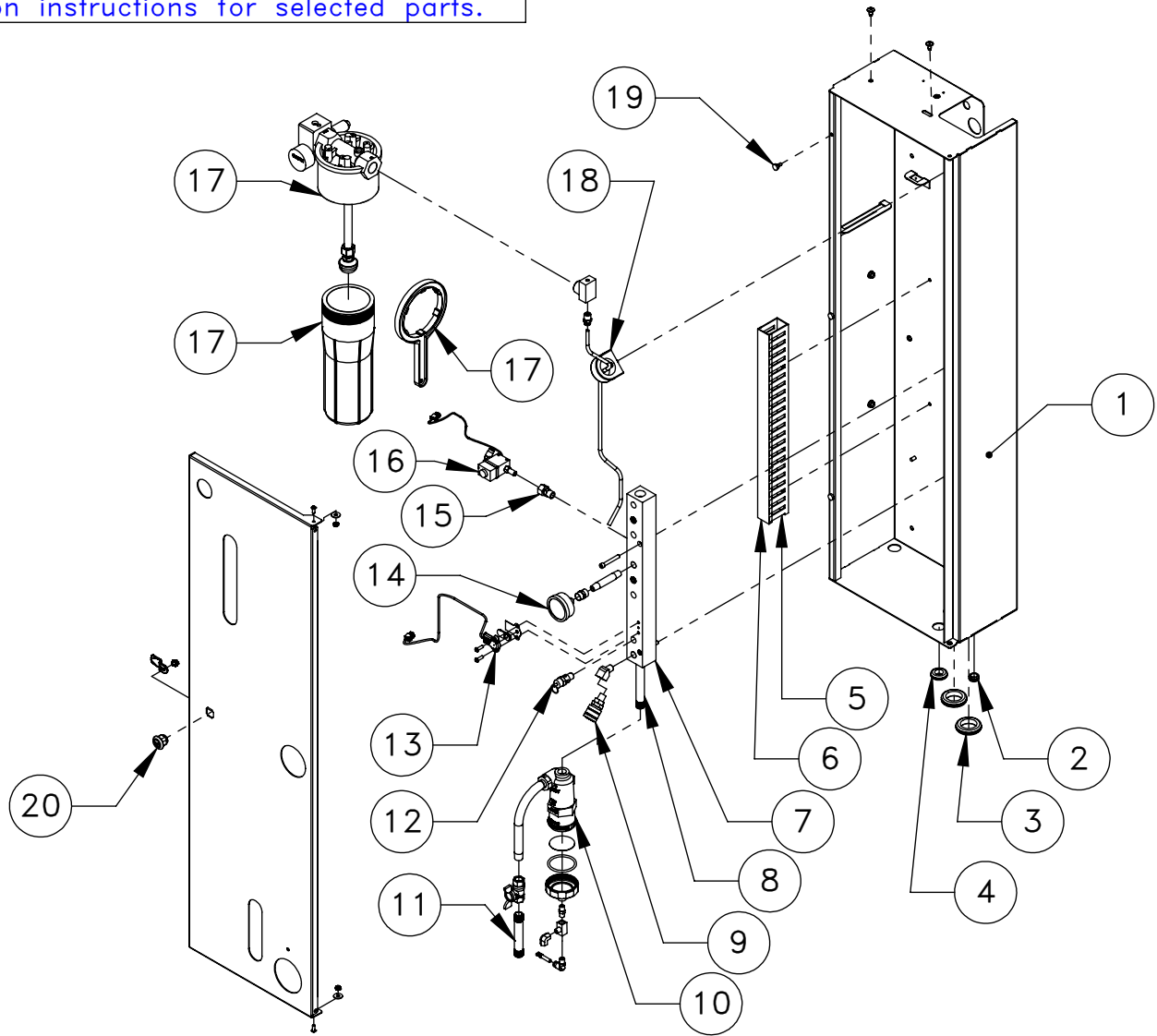


Go to parts.haascnc.com to get pricing and installation instructions for selected parts.



ITEM NO.	Part Number	PART DESCRIPTION	QTY.
1	30-11012G	ENCL AIR-LUBE CABINET CALM	1
2	59-7201	GROMMET RUBBER 330	1
3	59-0457	GROMMET 1-5/16 ID X 2 OD 1/8 GROOVE WDT	2
4	59-7224	GROMMET 11/16ID X 10D	1
5	79-0034A	WIRE DUCT 18.25 1 X 2 PRE-CUT WIRE DUC	1
6	79-0043	DUCT COVER 1 X 18.25"	1
7	30-11038D	CG CORE AIR MANIFOLD	1
8	58-1130	NIPPLE 3/8-NPT X 5 BRASS	1
9	58-1690	FITG QUIK CONN-1/4-F X NPT- 1/4-F FOST	1
10	30-11036	WATER SEPARATOR ASSY 100UM FILTER	1
11	58-1723	NIPPLE 3/8 NPT X 4 BRASS	1
12	58-1348	PRESSURE RELIEF VALVE 140 PSI 1/4 NP	1
13	32-6800A	ANALOG PRESS SENSOR ASSEMBLY 150PSI	1
14	58-2731	GAUGE 0-160 PSI X NPT-1/4-M BAC	1
15	58-1521	FITG COMP-3/8 X NPT-1/4-M STR 3/4 HE	1
16	30-11050	SOLENOID ASSY MANIFOLD	1
17	30-11033A	AXIS LUBRICATION RESEVIOR ASSEMBLY	1
18	59-0643	CONDUIT CLIP ACB34 ADAPTAFLX EC4	1
19	59-0786	BUMPER, NITRILE .50 DIA. X .25	3
20	59-6870	KEYED LATCH ASSY EMKA #1048- U	1

Disclaimer: Not all parts are available for individual sale; Some are part of an assembly. Assembly configuration is subject to change without notice.

SHEET 1 OF 1

DESCRIPTION

EFFECTIVE DATE

CG AIR-LUBE CORE ASSEMBLY

JULY-2004

SAP DOC NO./VER: 1000074287/01