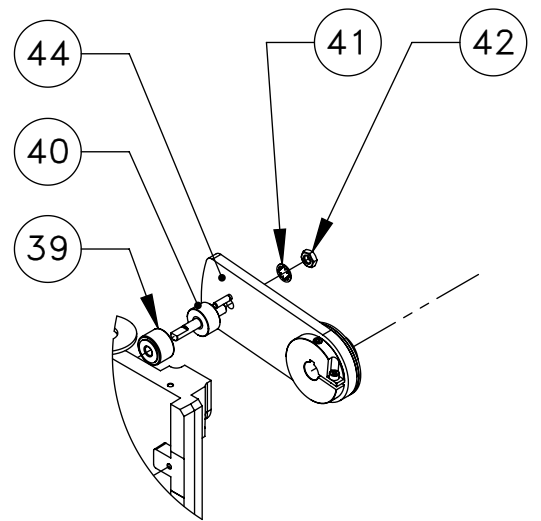


SEE SHEET 2  
FOR EXPLODED VIEW  
OF CAROUSEL

ITEM NO.	DESCRIPTION	QTY.
1	MOUNT MACHINED, SMTc, MM	1
2	HHB 5/16-18 X 1 3/4 GRADE 8 PLAIN	4
3	STANDARD BUSHING GD WHL T/C ROUND H	2
4	GUIDE WHEEL VF T/C CARRIAGE	4
5	TAPER SBR PLUG #2	1
6	WASHER, 1/2" ID X .125 THK X 1.125 OD, HARD, BLK OX#275-25	4
7	HHB 1/2-13 X 1 1/2 GRADE 5	4
8	DOWEL PIN 1/2 X 1 1/2	2
9	TOOL HOLDING PLATE TOOL	1
10	WASHER 1/4 HARD 1/4ID X 5/8OD X 1/8 THK	2
11	SHCS 1/4-20 X 3/4 LOCTITE BLACK OXIDE	2
12	WASHER 1/4 FLAT A325 ZINC-PLATED	1
13	LOCATING PIN	1
14	SHCS 1/4-20 X 5/8 ZINC PLATED	1
15	BRACKET DOOR OPENER	1
16	FHCS 1/4-28 X 1	4
17	MTR ASSY CAROUSEL/SHUTTLEFOR APC BUILT B	1
18	WASHER 1 1/4 NYLON .031THK X 2.000	4
19	T/C SHROUD 10 PCKT	1
20	TRAP DOOR 10 TOOL TRAP	1
21	SHCS 5/16-18 X 1	6
22	WASHER 5/16 SPLT LOCK PLT	13
23	CAROUSEL 10 PCKT MINIMILL	1
24	WASHER 1/4 SPLT LOCK PLT MED	4
25	SHCS 10-32 X 3/8 W/ FLAT WASHER OD 0.37-	11
26	MM/SMM CONNECTOR BRKT 50	1
27	MTG PROX CARRIAGE 100/	1
28	CARRIAGE T/C MACHINING	1
29	NUT 3/4-10 NYLON LOCK	1
30	WASHER 3/4 FLAT USS PLT	1
31	SHCS 1/4-20 X 3/4 W/PATCHZINC PLATED	4
32	TURRET MTR ASSY 10PKT MINIMILL	1
33	RETAINER T/C FELT RETAI	2
34	FELT T/C CARRIAGE RAIL	2
35	BHCS 10-32 X 3/8 W/LESS CHAMFER	6
36	COVER T/C 10 POCKET COV	1
37	PROX NC TC SHUT OUT	1
38	PROX NC TC SHUT IN	1
39	CAM FOLOWR 1.00 HOLW .312 T/C	1
40	CAM FOLLOWER-ARM SPACER	1
41	WASHER 5/16 TOOTH LOCK	1
42	NUT 5/16-18 JAM	2
43	T/C CARRIAGE FLAG 50-1	1
44	SMM ACTUATING ARM ASSY	1
45	SHCS 5/16-18 X 3/4 DOMESTIC ONLY	6
46	BHCS 10-32 X 1	1
47	TOOL #1 STANDOFF	1
48	BEARING RADIAL 205PP	2
49	BEARING LOCKNUT BH-05	1
50	BEARING HOUSING 10 PCKT	1
51	GENEVA STAR 10 PCKT	1
52	VERTICLE AXLE 10 PCKT	1



DETAIL A  
SCALE 1 : 6

SHEET 1 OF 2

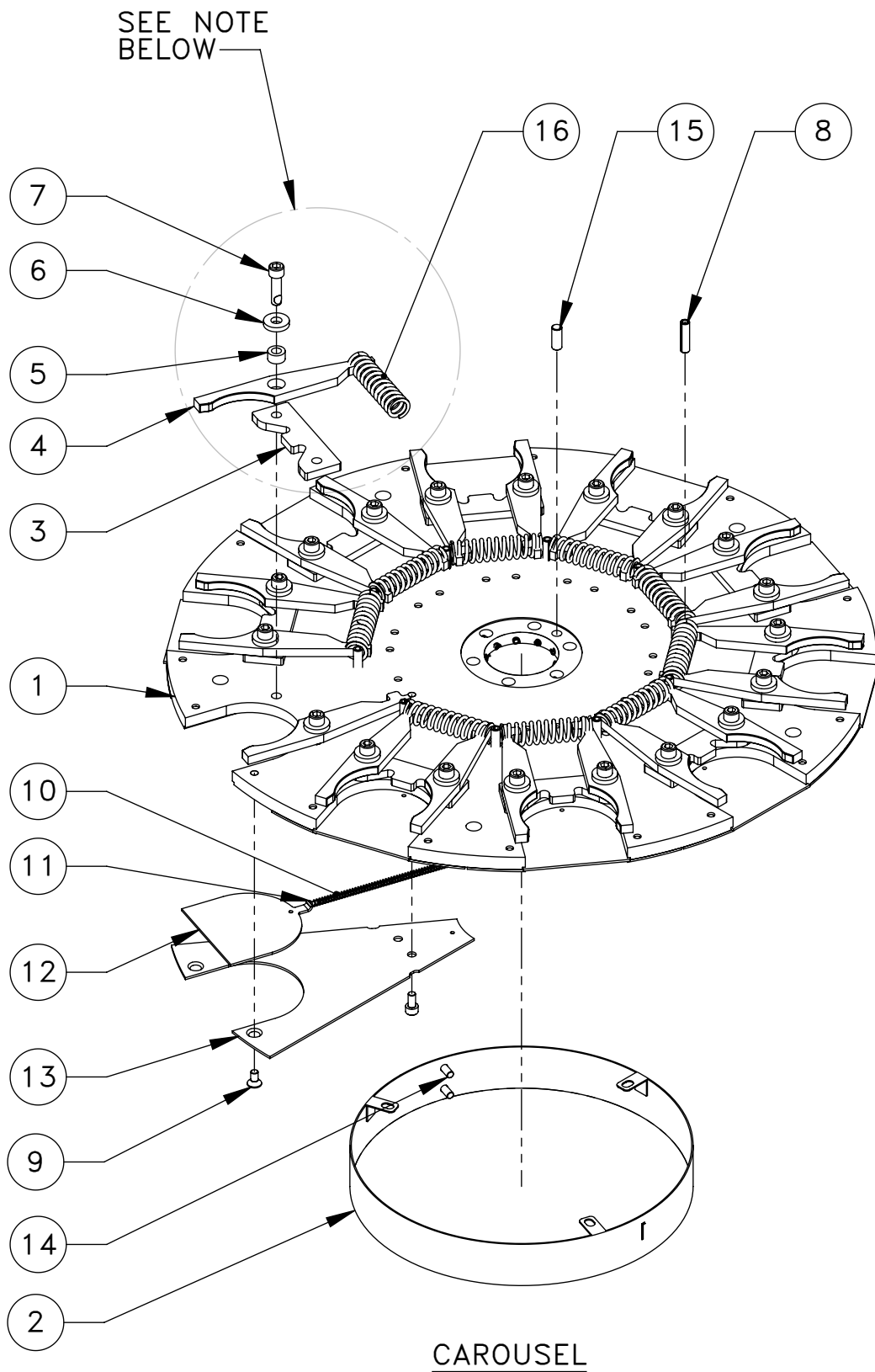
DESCRIPTION

EFFECTIVE DATE

VMC UMBRELLA TOOL CHANGER 10 POCKET

APR-2008

SAP DOC NO./VER: 1000011671/01



NOTE:  
 COMPONENTS NO.: 3 & 4  
 ARE CT CONFIGURATION.  
 SEE HAAS SERVICE SITE FOR OTHER REFERENCES  
 ON BT CONFIGURATION.

ITEM NO.	DESCRIPTION	QTY.
1	CAROUSEL, 10 POCKET CT	1
2	NUMBER RING 10 TOOL	1
3	KEY EXTRACTOR SPRING	10
4	CT EXTRACTOR, CAROUSEL TOOL CHANGER	20
5	BUSHING EXTRACTOR	20
6	WASHER 1/4 HARD 1/4ID X 5/8OD X 1/8 THK	20
7	SHCS 1/4-20 X 7/8 W/LOCTITE	20
8	ROLL PIN 7/32 X 7/8	10
9	FHCS 10-32 X 3/8	20
10	COMPRESSION SPRING 10PCK	10
11	RIVET 3/32 X .200 X .160 HEAD DIA	10
12	SLIDING PANEL	10
13	10 TOOL SLIDING PANEL CO	10
14	SHCS 10-32 X 3/8 W/LOC 2ATHREADS ZINC PL	25
15	DOWEL PIN 1/4 X 5/8	1
16	SPRING, EXTRACTOR, 40T CAROUSEL	10

SHEET 2 OF 2

DESCRIPTION  
 VMC UMBRELLA TOOL CHANGER 10 POCKET

EFFECTIVE DATE  
 APR-2008

SAP DOC NO./VER: 1000011671/01