

ITEM NO.	DESCRIPTION	QTY.
1	COVER PLT MTR MNT 50-100/BX & MX 10K/PLT	1
2	26-7233A.SLDPRT GASKET DEFLECTOR SHIELD	1
3	BUMPER 1 40/50MM LEADSCRW	1
4	BUMPER .500 40/50MM LEADSCREW VF-7	1
5	SHCS 3/8-16 X 1 3/4 DOMESTIC ONLY	8
6	WASHER 3/8 SPLT LOCK PLT MED	8
7	DOWEL PIN 3/8 X 1 1/2PULL	4
8	FITG, STRAIGHT, METRIC LINEAR GUIDE, GDE M6 X .75 BIJUR	4
9	LUBE FITG ADPT 5/16-24-F X 1/8BSPT-M	4
10	STR FIT METRIC LINER GDE M6 X 1 FOR STAR	4
11	PROX SENSOR MOUNT BRKT VF X-AXIS	1
12	PROX SW NC 3 WIRE 5.5' W/CONN	1
13	MACHINED BASE, VF-5	1
14	SSS 1-14 X 5 ROUND PT	6
15	DOWEL PIN 5/8 X 2 1/4	2
16	CAM LINEAR GUIDE	24
17	SHCS 1/2 - 13 X 1 1/3 (HAAS P/N: 40-1663)	24
18	LINEAR GUIDE 45 X 1200 VF-3 FOR SERVIC	1
19	PLUG GUID RAIL .788 OD X .118 THICK RU	24
20	COOLANT FLANGE, INNER	1
21	COOLANT FLANGE, OUTER	1
22	SEALING WASHER	2
23	GASKT, CLNT FLNG, INNER	2
24	FITG BKHD NPT-1/2 X 1.125 DIA PARKE	1
25	FITG NPT-1/2-M COMP-1/2 X 90 B	1
26	CBL CARRIER VF-3/4/5 BASE T	2
27	SPACER CABLE CARRIER	2
28	BACK OF BASE CABLE TROUGH VMC-M	1

SHEET 1 OF 4

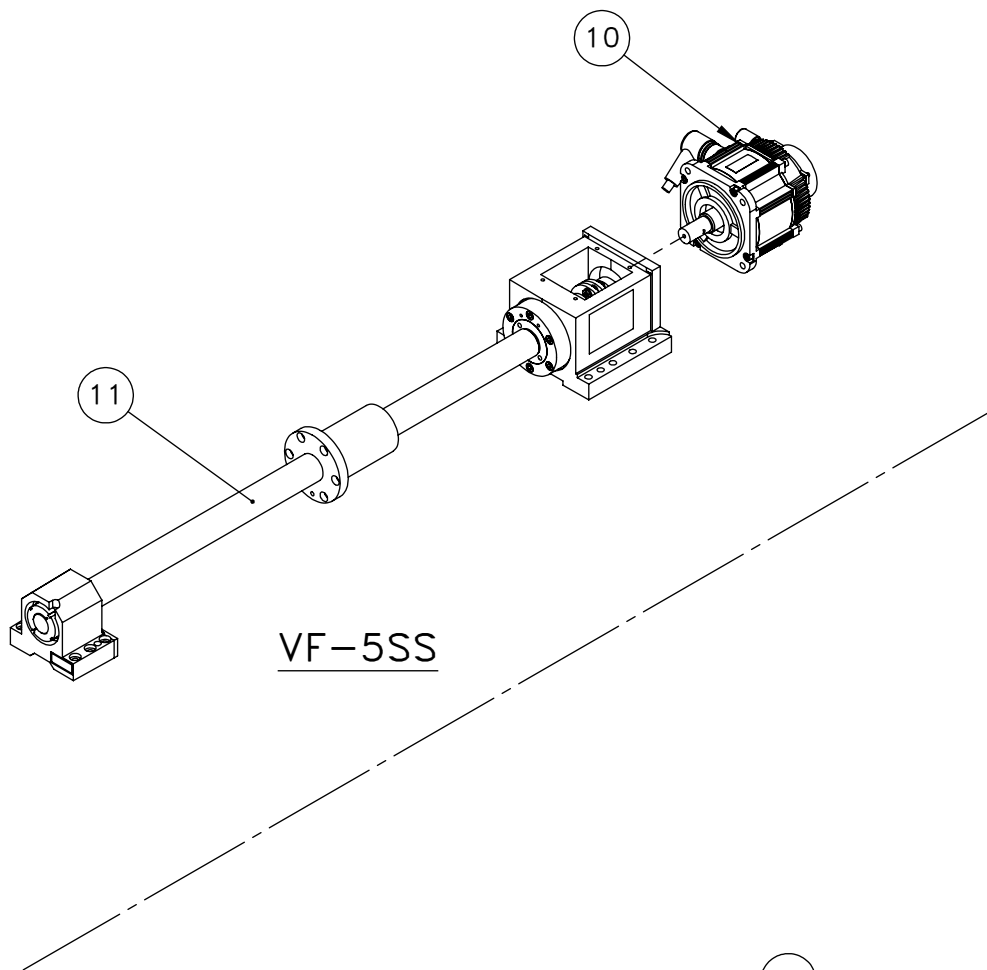
DESCRIPTION

EFFECTIVE DATE

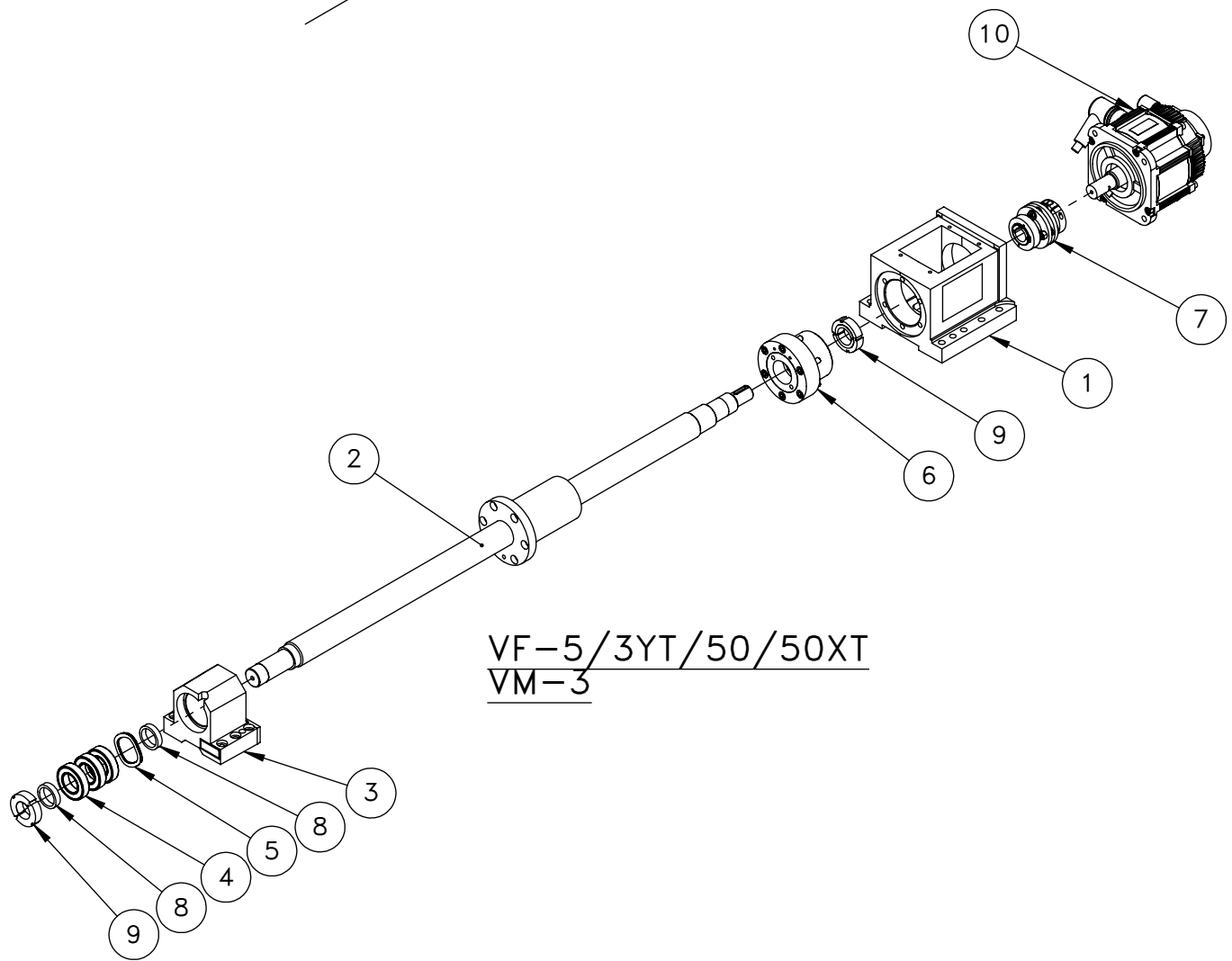
VF-3/YT/SS/40/50/VM-3/VF-5/XT/SS/TR/40/50
BASE ASSEMBLY

APR-2013

SAP DOC NO./VER: 1000018582/01



VF-5SS



VF-5/3YT/50/50XT
VM-3

NOTES:

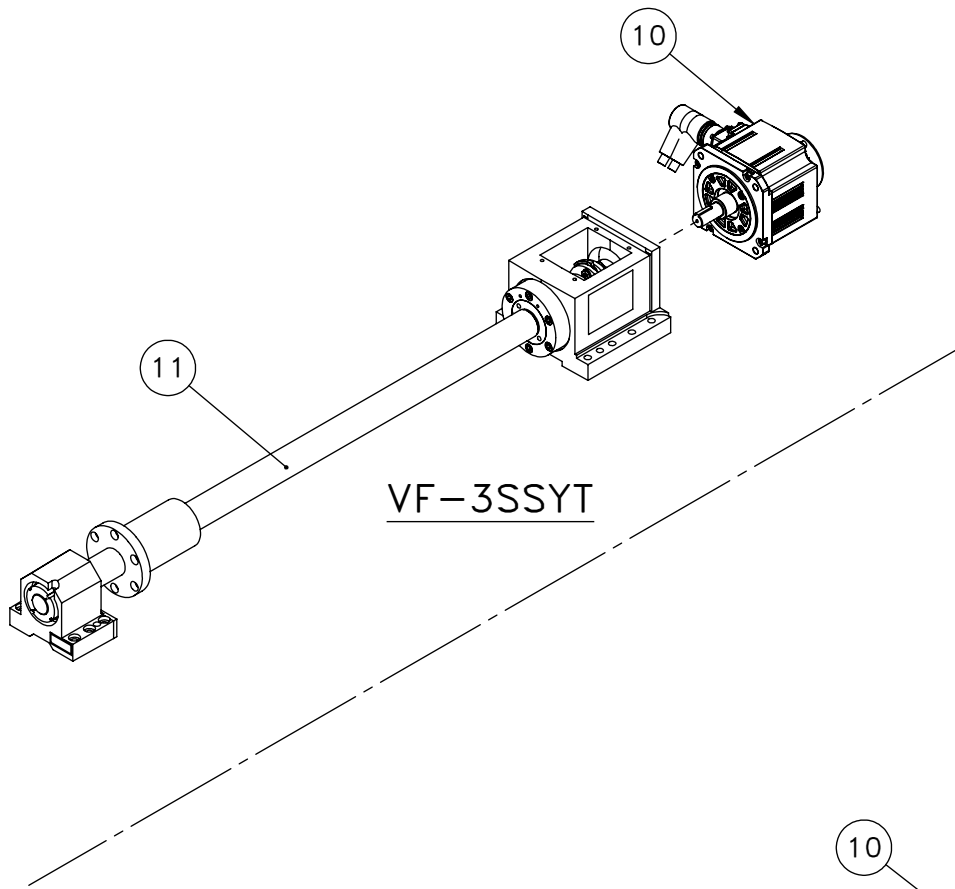
- ITEM 1 AND 3 THRU 10 ARE THE SAME FOR MODEL VF-5/3YT/50/50XT, VM-3, VF-5SS

ITEM NO.	DESCRIPTION	QTY.
1	MCHNG MTR MOUNT, 40 & 50 MM BS	1
2	BSCREW 40-6-1031 X/Y/Z-AXIS VF3/4	1
3	BRNG HSNQ 40/50MM BS MACHVF-6-10	1
4	BEARING DEEP GROOVE	3
5	WASHER WAVE DISC SPRING MCMSTR #971K73	6
6	BEARING HOUSING 40MM BALLSCREW	1
7	COUPLING SERVO BRUSHLESS VF-10	2
8	SPACER TORQUE LIMIT BALLSCREW VF-6	2
9	BEARING LOCK NUT TCN-06-F	2
10	SRVOMTR YASK SIGMA-5 13 W/O BRAKE	1
11	BSCREW 40-10-1031 Y/Z-AXIS VF3/4	1

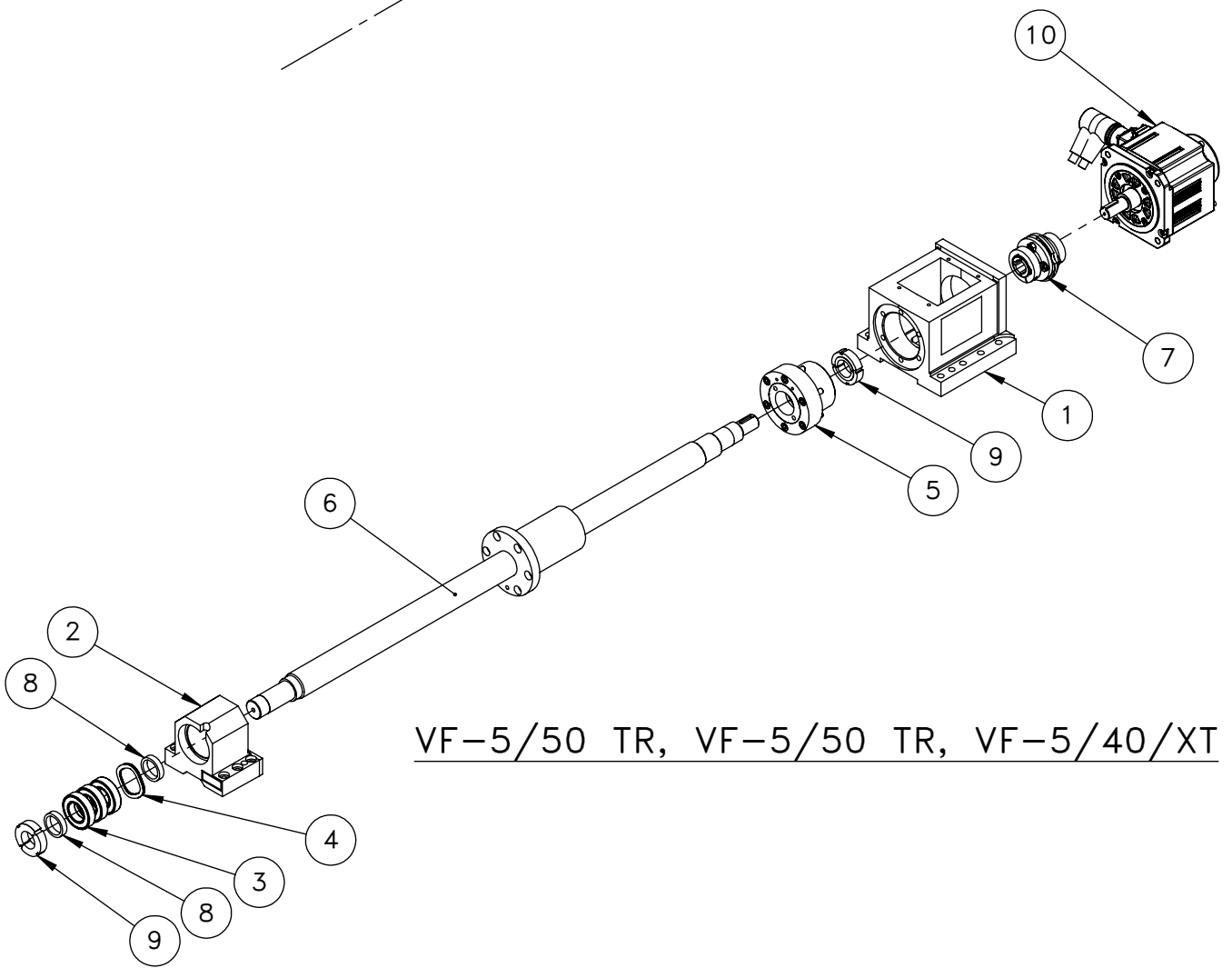
SHEET 2 OF 4

DESCRIPTION	EFFECTIVE DATE
VF-3/YT/SS/40/50/VM-3/VF-5/XT/SS/TR/40/50 BASE ASSEMBLY	APR-2013

SAP DOC NO./VER: 1000018582/01



VF-3SSYT



VF-5/50 TR, VF-5/50 TR, VF-5/40/XT

NOTES:

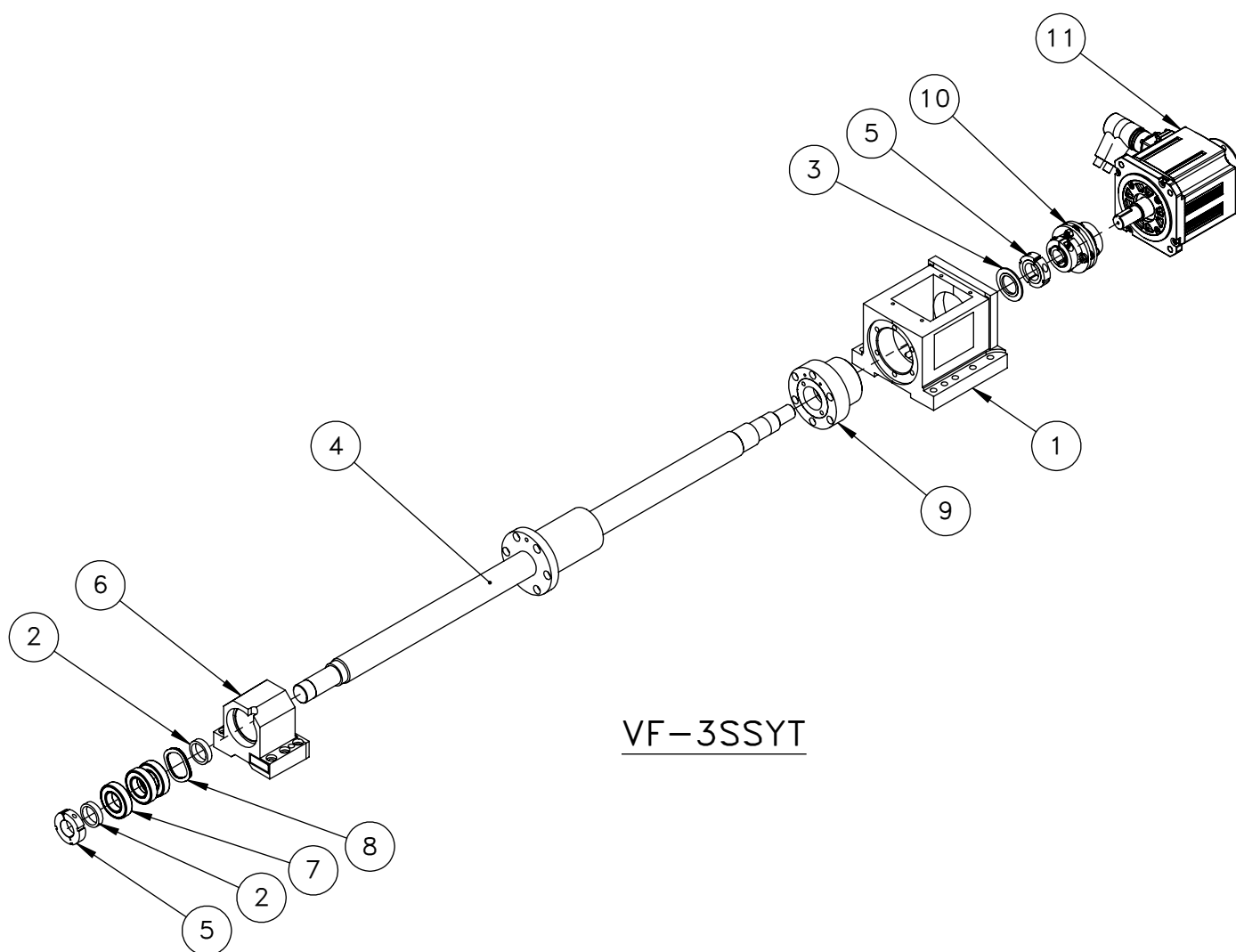
- ITEM 1 THRU 9 ARE THE SAME FOR MODEL VF-5/50 TR, VF-5/50 TR, VF-5/40/XT VF-5SS

ITEM NO.	DESCRIPTION	QTY.
1	MCHNG MTR MOUNT, 40 & 50 MM BS	1
2	BRNG HSNG 40/50MM BS MACHVF-6-10	1
3	BEARING DEEP GROOVE	3
4	WASHER WAVE DISC SPRING MCMSTR #971K73	6
5	BEARING HOUSING 40MM BALLSCREW	1
6	BSCREW 40-6-1031 X/Y/Z-AXIS VF3/4	1
7	COUPLING SERVO BRUSHLESS VF-10	1
8	SPACER TORQUE LIMIT BALLSCREW VF-6	2
9	BEARING LOCK NUT TCN-06-F	2
10	SRVOMTR YASK SIGMA-5 09 W/O BRAKE	1
11	BSCREW 40-8-1031 Y/Z AXISVF-3/4	1

SHEET 3 OF 4

DESCRIPTION	EFFECTIVE DATE
VF-3/YT/SS/40/50/VM-3/VF-5/XT/SS/TR/40/50 BASE ASSEMBLY	APR-2013

SAP DOC NO./VER: 1000018582/01



VF-3SSYT

ITEM NO.	DESCRIPTION	QTY.
1	MCHNG MTR MOUNT, 40 & 50 MM BS	1
2	SPACER TORQUE LIMIT BALLSCREW VF-6-10	2
3	SPACER RING 40MM BALLSCREW	1
4	BSCREW 40-12-1031 VF4SS YZ	1
5	BEARING LOCK NUT TCN-06-F	2
6	BRNG HSNB 40/50MM BS MACHVF-6-10	1
7	BEARING DEEP GROOVE	3
8	WASHER WAVE DISC SPRING MCMSTR #971K73	6
9	BEARING HOUSING 40MM BALLSCREW	1
10	COUPLING 50MM SCREW	2
11	SRVOMTR MITS 1.3KW NO BR	1

SHEET 4 OF 4

DESCRIPTION

EFFECTIVE DATE

VF-3/YT/SS/40/50/VM-3/VF-5/XT/SS/TR/40/50
BASE ASSEMBLY

APR-2013

SAP DOC NO./VER: 1000018582/01